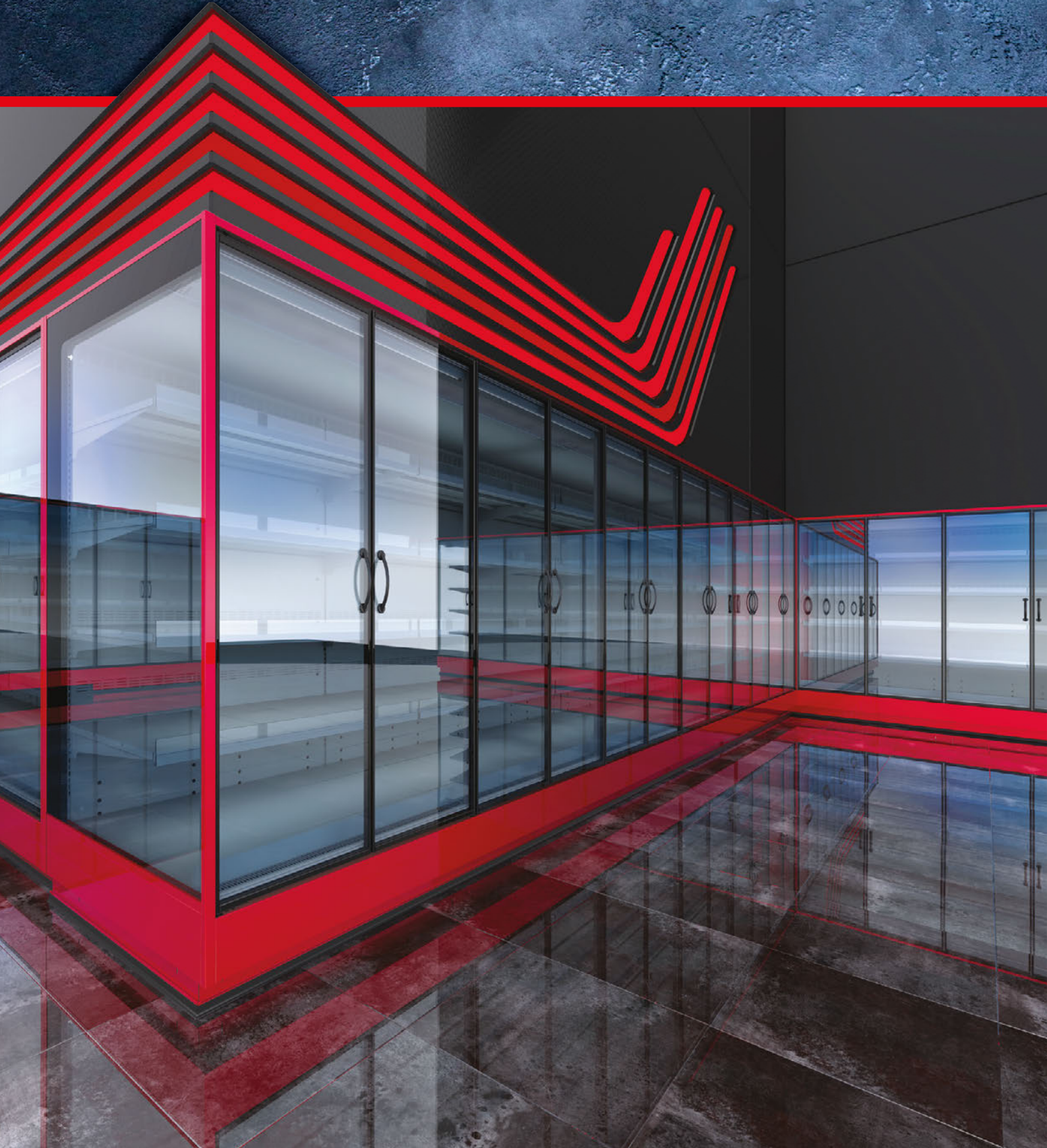




JBG2

CATALOGUE



jbg2.com

MULTIDECKS

Gerlach 2.0 RDGH-H2/H3/H4 DVO	10
Gerlach 2.0 RDGH-H2/H3/H4 XXX	11
Gerlach 2.0 RDGH-L2/L3/L4 DVO	12
Gerlach 2.0 RDGH-L2/L3/L4 XXX	13
Iberg 2.0 RDIG-H1/H2/H4 DVO	14
Iberg 2.0 RDIG-H1/H2 BDA	15
Iberg 2.0 RDIG-L1/L2/L3 DVO	16
Iberg 2.0 RDIG-L1/L2 BDA	17
Kaukaz RDKA-11 DDS DVO XXX	18
Halti RDHA-L4 DVO	19

Semi Vertical MULTIDECKS

Andy RDAD-K3 BFA	22
Andy RDAD-N5 BSA DDS DVO	23
Andy RDAN-29 BSA DDS	24
Andy RDAN-31 BSA	25
Andy RDAN-37 BSA CSS	26
Evans RNEV-17 DTO	27
Evans RNEV-21 DTO	28
Evans RNEV-27 DTO	29

ISLANDS

Everest WNEV-17 CCP CSS	32
Everest WNEV-27 CCP CSS	33
Idea WNIE-04 CCP CSS XXX	34
Idea WNIE-05 CCS	35

CABINETS

Glacier SNGL-H3 DTO	38
Glacier SNGL-L3 DTO	39

COUNTERS

Grazia LDGR-08 BCA GCL	42
Grazia LDGR-09 GCL	43
Grazia LDGR-28 BSA GSL	44
Grazia LDGR-29 BSA GSL	45
Grazia LDGR-30 BSA GSD GSL	46
Lhotse LDLH-12 BSA CSS	47
Lhotse LDLH-37 BSA GSD GSL	48
Lhotse LDLH-46 BCA GCL	49
Lhotse LDLH-47 BCA GCL	50

HOT CASES

Grazia LGGR-28 BSA GSL	54
Grazia LGGR-30 GST	55
Lhotse LGLH-37 GSL	56

MULTIDECKS

Medium RDME-21 BSA DDS DVO	62
Medium RDME-22 BSA DDS DVO	63
Medium RDME-26 BSA DVO	64
Garmo RDGA-L4 DVO	65
Garmo RDGA-L5 DDS DVO	66

SEMI VERTICAL MULTIDECKS

Atlanta RDAT-10 BSA	70
Atlanta RDAT-20 BSA	71
Atlanta RDAL-N5 BSA DDS DVO	72

ISLANDS

Pamir WNPR-04 CSS XXX	76
Pamir W DPR-04 CSS XXX	77
Pamir WNPR-09 CSS	78
Pamir WNPA-10 CSS	79
Pamir WNPA-15 CSS	80
Imja WNIJ-05 CCS	81
Imja WNIJ-06 CCS	82
Imja WNIJ-07 CCP	83
Imja WNIJ-14 CCP	84
Elbrus WNEL-17 CCP	85
Elbrus WNEL-27 CCP	86

CABINETS

Wetar SNWE-02 DTO	90
Wetar SNWE-04 DTO	91
Denali SNDE-05 DTO	92

PROMOTION

Fiji LDFI-13 BSA CSS	96
Fiji LDFI-14 BSA CSS	97
Fiji LDFI-21 BCA	98
Fiji LDFI-22 BCA	99
Fiji LDFI-25 BSA CSS	100
Fiji LDFI-28 BSA CSS	101
Fiji LDFI-29 BSA CSS	102
Fiji LDFI-30/31 BSA	103
Fiji LDFI-32 BSA DDS	104

PASTRY LINE

Elegant RDEL-05 GBT	108
Elegant RDEL-06 BCA	109
Elegant RDEL-21 GDT	110
Elegant RDEL-22 BSA	111
Etna RDET-21 GST	112
Etna RDET-26 GST	113
Etna RDET-27 GST	114

COUNTERS

Grazia LDGR-08 BCA GCL	118
Grazia LDGR-09 GCL	119
Grazia LDGR-28 BSA GSL	120
Grazia LDGR-29 BSA GSL	121
Lingtren LDLI-37 GSL	122



- D - cooling, fan-assisted unit
 - N - freezing, fan-assisted unit
 - M - freezing, static unit
- two letters of the product name

Gerlach 2.0 **RDGH** - **H2** - [module]

name of the product range

- L - counter
- R - multideck
- W - island
- S - cabinet
- M - mix cabinet

identifies the model

module length, head (crown section) or corner

	glazing type	glass type	opening type
BCA	low glass or front glass riser	single, bent	fixed
BFA	front solid raiser	non-transparent	fixed
BSA	low glass or front glass riser	single, straight	fixed
BDA	front glass riser	double, straight	fixed
CCP	cover	single, curved	sliding (slide-up/push)
CCS	cover	single, curved	sliding (sideways)
CSS	cover	single, straight	sliding (sideways)
DDS	door	double, straight	sliding (sideways)
DSS	door	single, straight	sliding (sideways)

	glazing type	glass type	opening type
DTO	door	triple, straight	hinged
DVO	door	double, straight	hinged
GBT	glass	double, bent	tilt
GCL	glass	single, curved	lift up
GSD	glass	single, straight	divided
GSL	glass	single, straight	lift up
GST	glass	single, straight	tilt
GDT	glass	double, straight	tilt
XXX		no glazing	

ABOUT US

Many years of experience, state-of-the-art production plant and great location are the few of many factors that contribute to JBG-2's success. Hundreds of satisfied customers around the world especially appreciate our creative approach, flexibility and commitment to the successful completion of every project.

Since the very beginning of our activities in 1989 ecology has been our main concern, both at the stage of the production itself and at the subsequent effect of our products on the environment.

For the sake of quality, we carry out tests in our certified laboratories that meet the requirements of ISO 23953-2:2015. Quality management is based on the ISO 9001:2015 standard.

Our team is always ready to go the extra mile to make the cooperation with us successful, satisfying and sustainable.

For over 35 years of our activities, JBG-2 has been awarded with prestigious honor on numerous occasions, for dynamic growth in the refrigeration equipment market.

The NO Defrost system has been valued by the RAC Cooling Awards. We managed to achieve the final stage in 2016 and 2018 in this prestigious competition. Furthermore the energy-efficient solutions have been qualified to the TOP TEN program. In addition, the effort put into improving our devices meant that they got to the prestigious Energy Technology List.



VEGGIE





REMOTE

MULTIDECKS

REMOTE





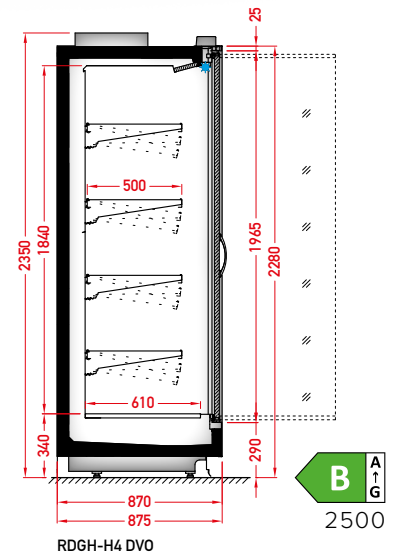
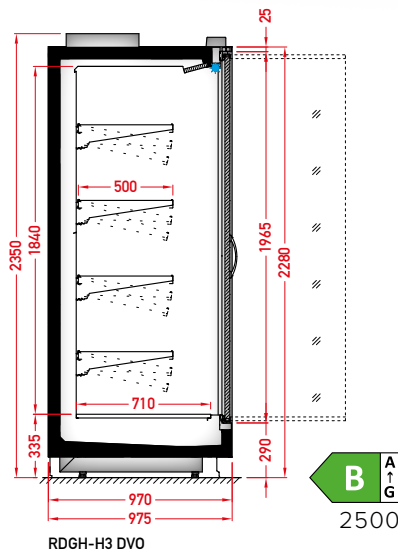
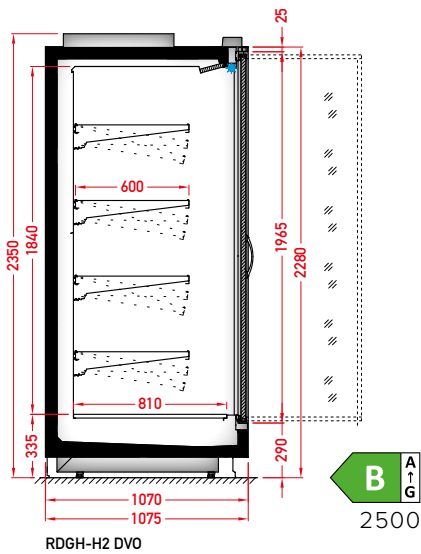
Our desire for continuous improvement and innovation has led us to develop systems and solutions that reduce environmental impact. That is why we have developed a system that eliminates defrost cycle and lowers the energy use.

**Designed for natural
(hydrocarbons) refrigerants**



**GLOBAL WARMING
POTENTIAL (AR4)**





STANDARD FEATURES

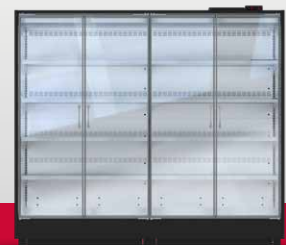
- working temperature: from 0°C to 2°C
- natural defrosting
- 2 x NTC temperature probe
- siphoned condensate drains
- exposition: zinc-plated steel, powder coated in white (RAL 9003)
- 4 rows of suspended shelves, on shelves and on air inlet price holders 39 mm
- lighting – top, LEDit
- color of the base – black (RAL 9005)
- grey PVC bumper on the front of the unit

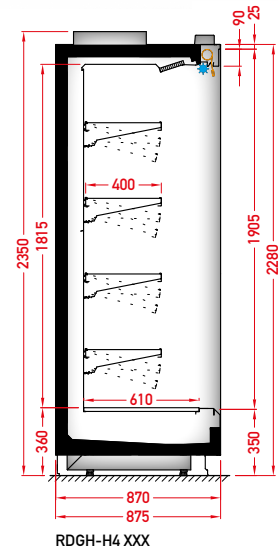
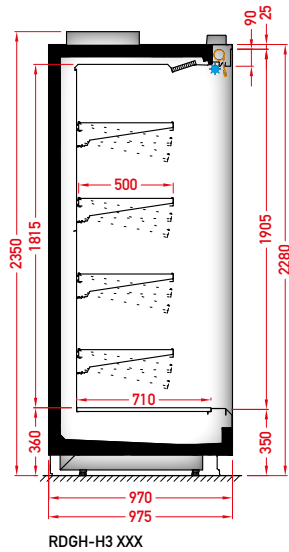
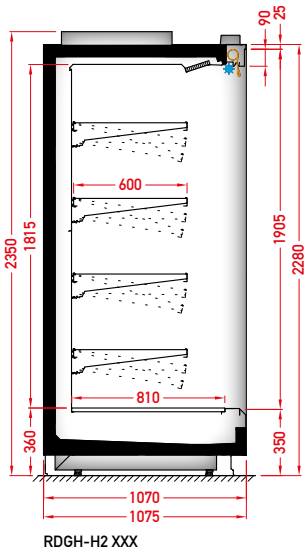
OPTIONS

- sidewalls
- vertical LEDit lighting
- underlighting shelves LEDit lighting
- cotroller with electronic expansion valve

DVO – door | double, straight | hinged

AVAILABLE MODULES DVO 1250 1875 2150 2500 3750





* single module with glass sidewalls

STANDARD FEATURES

- working temperature: from 0°C to 2°C
- natural defrosting
- 2 x NTC temperature probe
- siphoned condensate drains
- exposition: zinc-plated steel, powder coated in white (RAL 9003)
- 4 rows of suspended shelves, on shelves and on air inlet price holders 39 mm
- lighting – top, LEDit
- color of the base – black (RAL 9005)
- grey PVC bumper on the front of the unit
- mechanical night blind

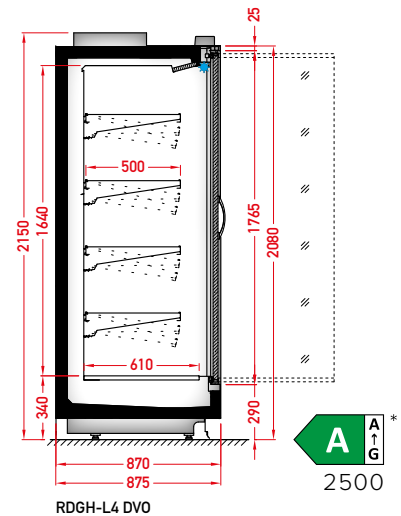
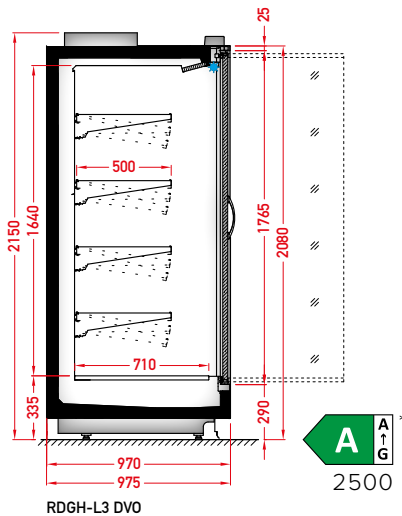
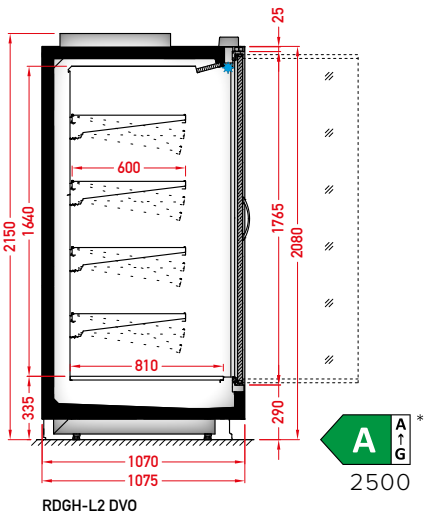
OPTIONS

- sidewalls
- underlighting shelves LEDit lighting
- controller with electronic expansion valve

XXX – no glazing

AVAILABLE MODULES XXX 1250 1875 2150 2500 3750





* single module with glass sidewalls

STANDARD FEATURES

- working temperature: from 0°C to 2°C
- natural defrosting
- 2 x NTC temperature probe
- siphoned condensate drains
- exposition: zinc-plated steel, powder coated in white (RAL 9003)
- 4 rows of suspended shelves, on shelves and on air inlet price holders 39 mm
- lighting – top, LEDit
- color of the base – black (RAL 9005)
- grey PVC bumper on the front of the unit

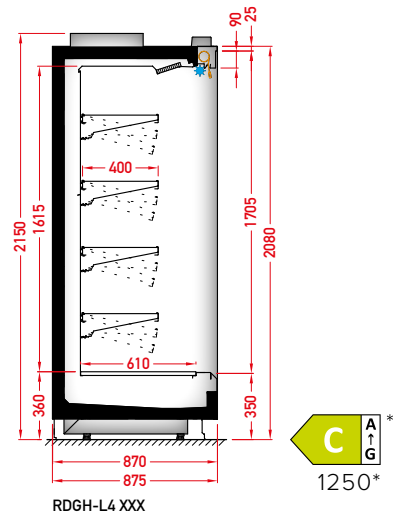
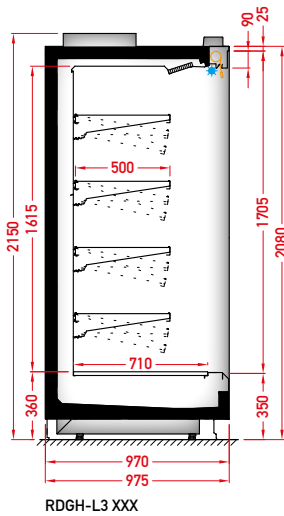
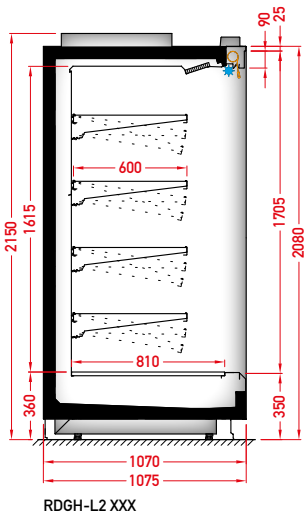
OPTIONS

- sidewalls
- vertical LEDit lighting
- underlighting shelves LEDit lighting
- cotroller with electronic expansion valve

DVO – door | double, straight | hinged

AVAILABLE MODULES DVO 1250 1875 2150 2500 3750





* single module with glass sidewalls

STANDARD FEATURES

- working temperature: from 0°C to 2°C
- natural defrosting
- 2 x NTC temperature probe
- siphoned condensate drains
- exposition: zinc-plated steel, powder coated in white (RAL 9003)
- 4 rows of suspended shelves, on shelves and on air inlet price holders 39 mm
- lighting – top, LEDit
- color of the base – black (RAL 9005)
- grey PVC bumper on the front of the unit
- mechanical night blind

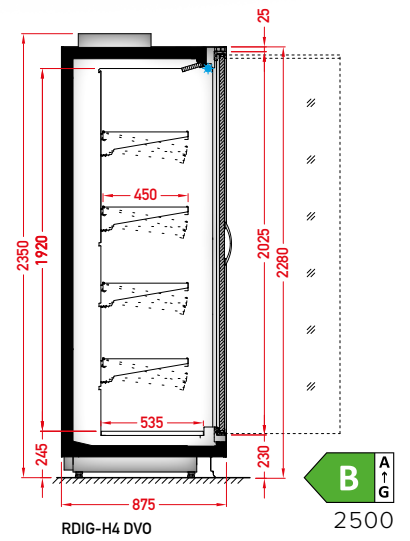
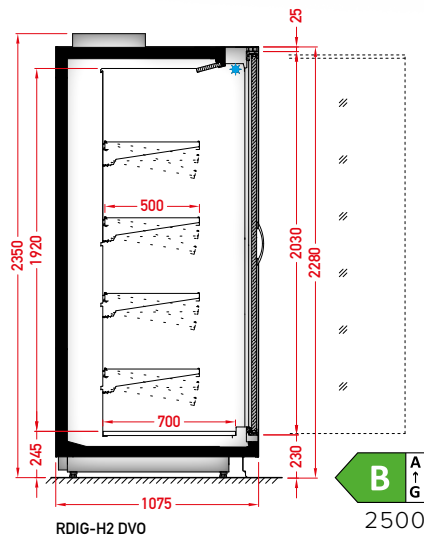
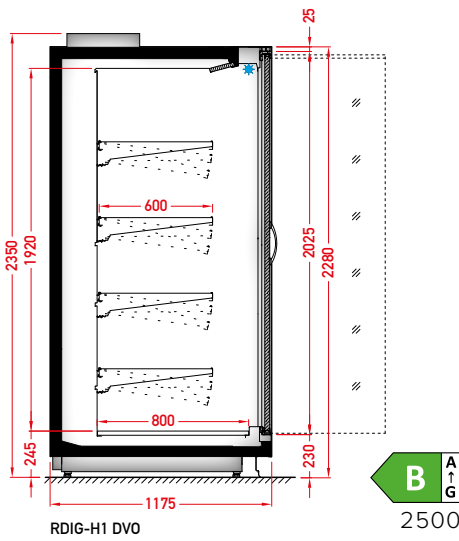
OPTIONS

- sidewalls
- underlighting shelves LEDit lighting
- controller with electronic expansion valve

XXX – no glazing

AVAILABLE MODULES XXX 1250 1875 2150 2500 3750





STANDARD FEATURES

- working temperature: from 0°C to 2°C
- natural defrosting
- 2 x NTC temperature probe
- siphoned condensate drains
- exposition: zinc-plated steel, powder coated in white (RAL 9003)
- 4 rows of suspended shelves, on shelves and on air inlet price holders 39 mm
- lighting – top, LEDit
- color of the base – black (RAL 9005)
- grey PVC bumper on the front of the unit

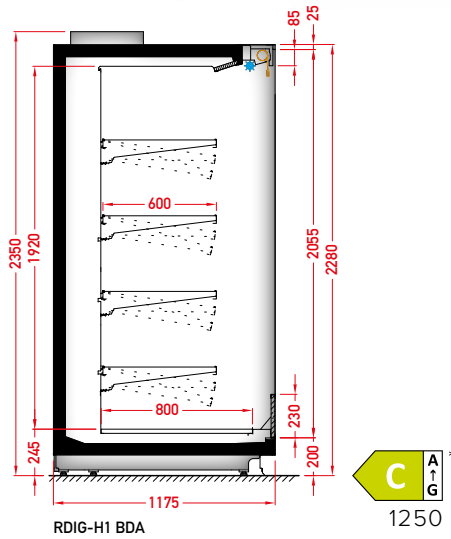
OPTIONS

- sidewalls
- vertical LEDit lighting
- underlighting shelves LEDit lighting
- cotroller with electronic expansion valve

DVO – door | double, straight | hinged

AVAILABLE MODULES DVO 1250 1875 2150 2500 3750





* single module with glass sidewalls

STANDARD FEATURES

- working temperature: from 0°C to 2°C
- natural defrosting
- 2 x NTC temperature probe
- siphoned condensate drains
- exposition: zinc-plated steel, powder coated in white (RAL 9003)
- 4 rows of suspended shelves, on shelves and on air inlet price holders 39 mm
- lighting – top, LEDit
- color of the base – black (RAL 9005)
- grey PVC bumper on the front of the unit
- mechanical night blind

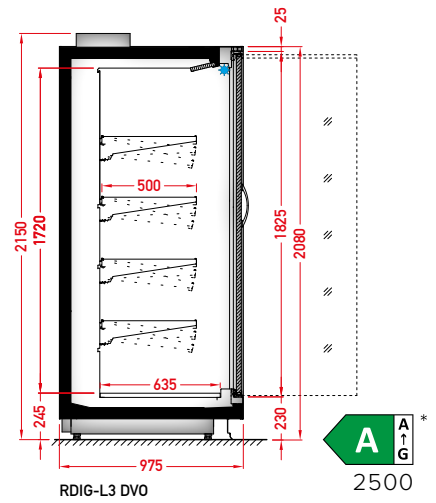
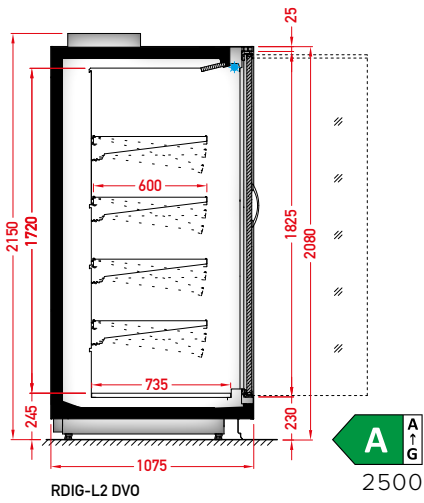
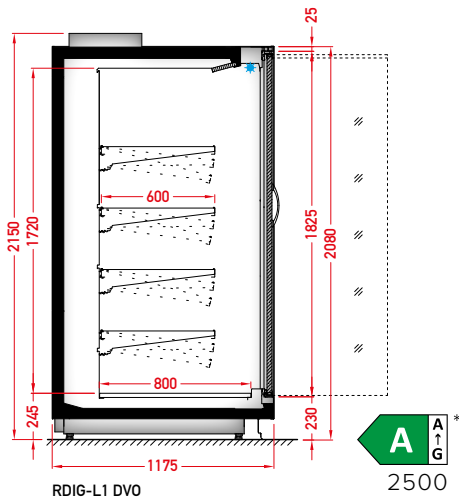
OPTIONS

- sidewalls
- underlighting shelves LEDit lighting
- cotroller with electronic expansion valve

BDA – front glass riser | double, straight | fixed

AVAILABLE MODULES **BDA** 1250 1875 2150 2500 3750





* single module with glass sidewalls

STANDARD FEATURES

- working temperature: from 0°C to 2°C
- natural defrosting
- 2 x NTC temperature probe
- siphoned condensate drains
- exposition: zinc-plated steel, powder coated in white (RAL 9003)
- 4 rows of suspended shelves, on shelves and on air inlet price holders 39 mm
- lighting – top, LEDit
- color of the base – black (RAL 9005)
- grey PVC bumper on the front of the unit

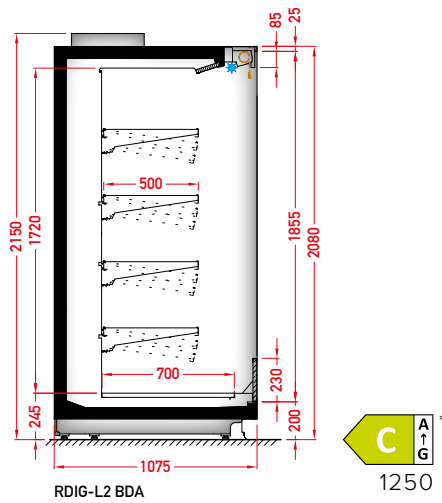
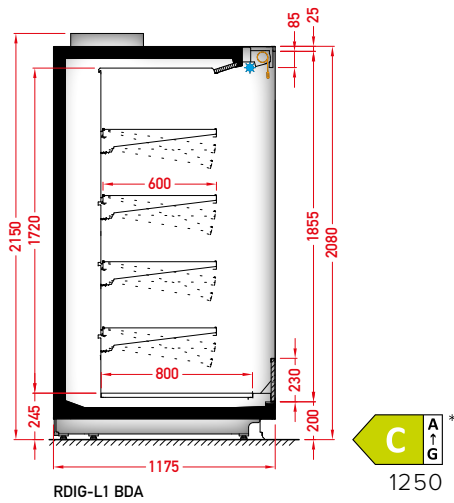
OPTIONS

- sidewalls
- vertical LEDit lighting
- underlighting shelves LEDit lighting
- cotroller with electronic expansion valve

DVO – door | double, straight | hinged

AVAILABLE MODULES DVO 1250 1875 2150 2500 3750





* single module with glass sidewalls

STANDARD FEATURES

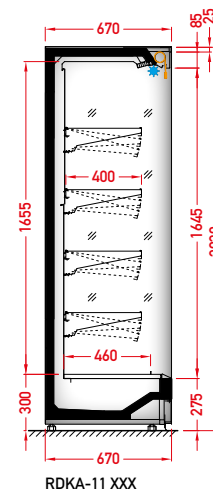
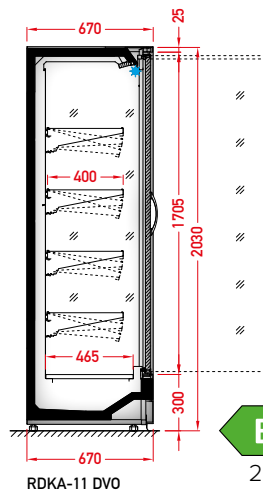
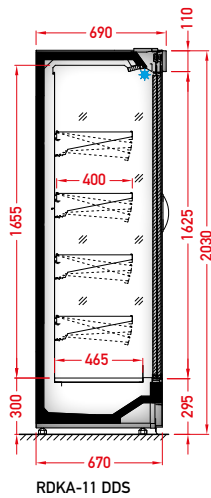
- working temperature: from 0°C to 2°C
- natural defrosting
- 2 x NTC temperature probe
- siphoned condensate drains
- exposition: zinc-plated steel, powder coated in white (RAL 9003)
- 4 rows of suspended shelves, on shelves and on air inlet price holders 39 mm
- lighting – top, LEDit
- color of the base – black (RAL 9005)
- grey PVC bumper on the front of the unit
- mechanical night blind

OPTIONS

- sidewalls
- underlighting shelves LEDit lighting
- controller with electronic expansion valve

BDA – front glass riser | double, straight | fixed





STANDARD FEATURES

- working temperature: from 0°C to 2°C
- natural defrosting
- 2 x NTC temperature probe
- siphoned condensate drains
- exposition: zinc-plated steel, powder coated in white (RAL 9003)
- 4 rows of suspended shelves, on shelves and on air inlet price holders 39 mm
- lighting – top, LEDit
- color of the base – black (RAL 9005)
- grey PVC bumper on the front of the unit
- mechanical night blind for version XXX

OPTIONS

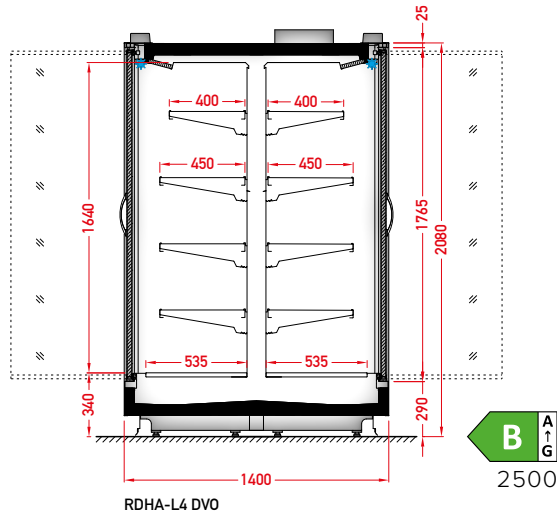
- sidewalls
- vertical LEDit lighting (DDS, DVO)
- underlighting shelves LEDit lighting
- cotroller with electronic expansion valve

DDS – door | double, straight | sliding (sideways)
 DVO – door | double, straight | hinged
 XXX – no glazing



AVAILABLE MODULES

DDS	1250	1875	2150	2500	3750
DVO	1250	1875	2150	2500	3750
XXX	0900	1250	1875	2150	2500 3750



STANDARD FEATURES

- working temperature: from 0°C to 2°C
- natural defrosting
- 2 x NTC temperature probe
- siphoned condensate drains
- exposition: zinc-plated steel, powder coated in white (RAL 9003)
- 4 rows of suspended shelves for each side, on shelves price holders 39 mm
- lighting – top, LEDit
- color of the base – black (RAL 9005)
- grey PVC bumper on the front of the unit

OPTIONS

- sidewalls
- vertical LEDit lighting
- underlighting shelves LEDit lighting
- cotroller with electronic expansion valve

DVO – door | double, straight | hinged

AVAILABLE MODULES DVO 1250 1875 2500 3750



SemiVertical

MULTIDECKS

REMOTE





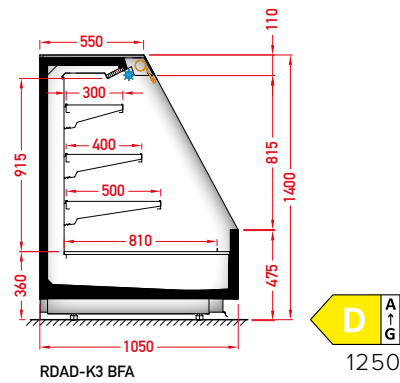
This range of lower height multidecks has been designed to combine compact size and large display area. This solution provides a variety of options for store layout.

Designed for natural
(hydrocarbons) refrigerants



GLOBAL WARMING
POTENTIAL (AR4)





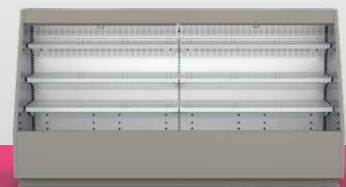
STANDARD FEATURES

- working temperature from 0°C to 2°C
- natural defrosting
- 2 x NTC temperature probe
- siphoned condensate drains
- exposition: zinc-plated steel, powder coated in white (RAL 9003)
- 3 rows of suspended shelves, on shelves and on air inlet price holders 39 mm
- lighting: top, LEDit
- color of the base – black (RAL 9005)
- mechanical night blind

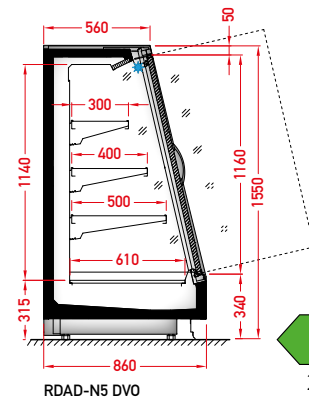
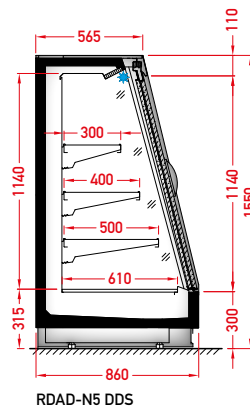
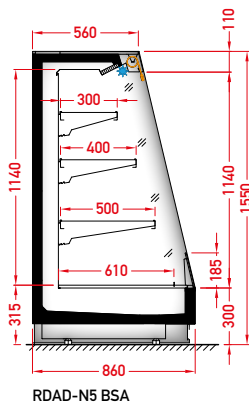
OPTIONS

- sidewalls
- underlighting shelves LEDit lighting
- cotroller with electronic expansion valve
- bumper

BFA – front solid riser | non-transparent | fixed



AVAILABLE MODULES **BFA** 1250 1875 2150 2500 3750
 NZ45



STANDARD FEATURES

- working temperature, straight module: from 0°C to 2°C;
- natural defrosting
- 2 x NTC temperature probe
- siphoned condensate drains
- exposition: zinc-plated steel, powder coated in white (RAL 9003)
- 3 rows of suspended shelves, on shelves and on air inlet price holders 39 mm
- lighting: top, LEDit
- color of the base – black (RAL 9005)
- mechanical night blind for version BSA

OPTIONS

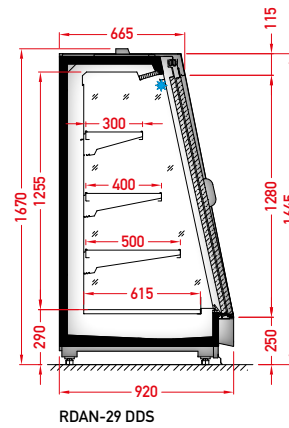
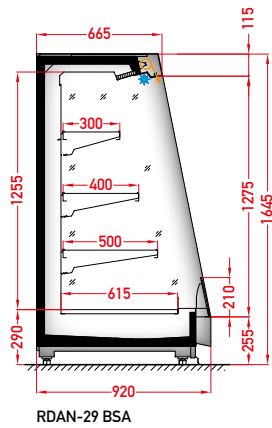
- sidewalls
- vertical LEDit lighting (DDS, DVO)
- underlighting shelves LEDit lighting
- cotroller with electronic expansion valve
- bumper

BSA – front glass riser | single, straight | fixed
DDS – door | double, straight | sliding (sideways)
DVO – door | double, straight | hinged



AVAILABLE MODULES

BSA	1250	1875	2150	2500	3750
DDS	1250	1875	2150	2500	3750
DVO	1250	1875	2150	2500	3750



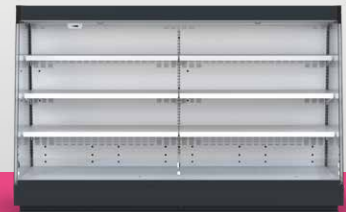
STANDARD FEATURES

- working temperature from 0°C to 2°C;
- natural defrosting
- 2 x NTC temperature probe
- siphoned condensate drains
- exposition: zinc-plated steel, powder coated in white (RAL 9003)
- 3 rows of suspended shelves, on shelves and on air inlet price holders 39 mm
- lighting: top, LEDit
- color of the base – black (RAL 9005)
- mechanical night blind

OPTIONS

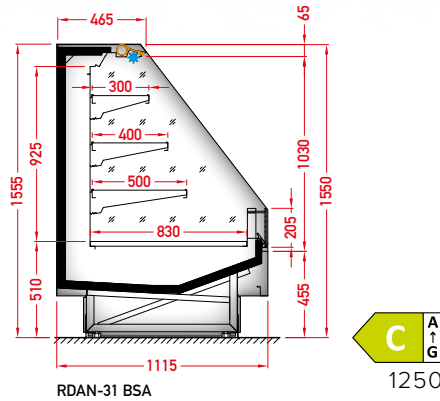
- sidewalls
- vertical LEDit lighting (DDS)
- underlighting shelves LEDit lighting
- cotroller with electronic expansion valve
- bumper

BSA – front glass riser | single, straight | fixed
DDS – door | double, straight | sliding (sideways)



AVAILABLE MODULES

BSA	1875	2500	3750
DDS	1250	1875	2500 3750



STANDARD FEATURES

- working temperature, straight module: from 0°C to 2°C;
- natural defrosting
- 2 x NTC temperature probe
- siphoned condensate drains
- exposition: zinc-plated steel, powder coated in white (RAL 9003)

- 3 rows of suspended shelves, on shelves and on air inlet price holders 39 mm
- lighting: top, LEDit
- color of the base – black (RAL 9005)
- mechanical night blind

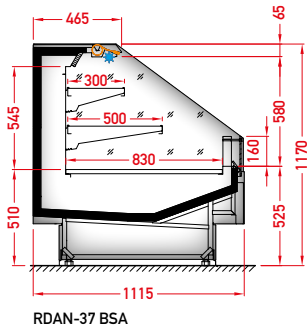
OPTIONS

- sidewalls
- underlighting shelves LEDit lighting
- controller with electronic expansion valve
- bumper

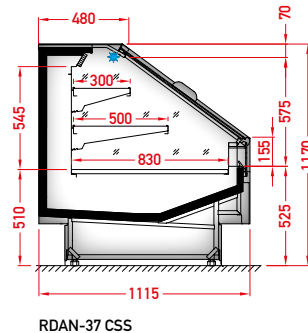
BSA – front glass riser | single, straight | fixed

AVAILABLE MODULES **BSA** 1250 1875 2500 3750





1250



2500

STANDARD FEATURES

- working temperature, straight module: from 0°C to 2°C
- natural defrosting
- 2 x NTC temperature probe
- siphoned condensate drains
- exposition: zinc-plated steel, powder coated in white (RAL 9003)
- 2 rows of suspended shelves, on shelves and on air inlet price holders 39 mm
- lighting: top, LEDit
- color of the base – black (RAL 9005)
- mechanical night blind for version BSA

OPTIONS

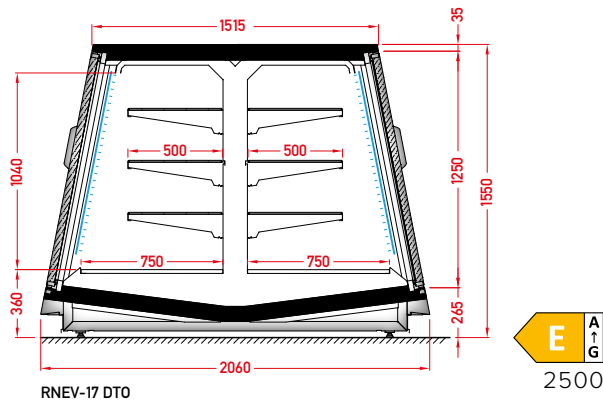
- sidewalls
- vertical LEDit lighting (CSS)
- underlighting shelves LEDit lighting
- cotroller with electronic expansion valve
- bumper

BSA – front glass riser | single, straight | fixed
CSS – cover | single, straight | sliding (sideways)

AVAILABLE MODULES

BSA	1250	1875	2500	3750
CSS	1250	1875	2500	3750





STANDARD FEATURES

- working temperature, from -25°C to -21°C
- electrical defrosting
- 2 x NTC temperature probe
- exposition: zinc-plated steel, powder coated in white (RAL 9003)
- 3 rows of suspended shelves, on shelves and on air inlet price holders 39 mm
- lighting: vertical LEDit
- inox square bumper

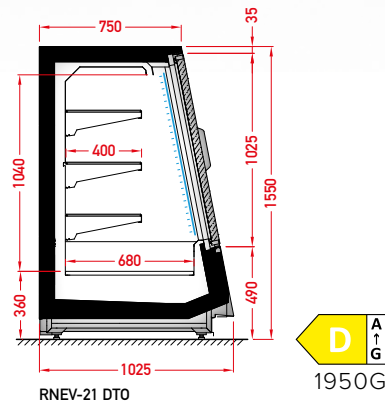
OPTIONS

- sidewalls
- controller with electronic expansion valve

DTO – door | triple straight | hinged

AVAILABLE MODULES **DTO** 2500 3750





STANDARD FEATURES

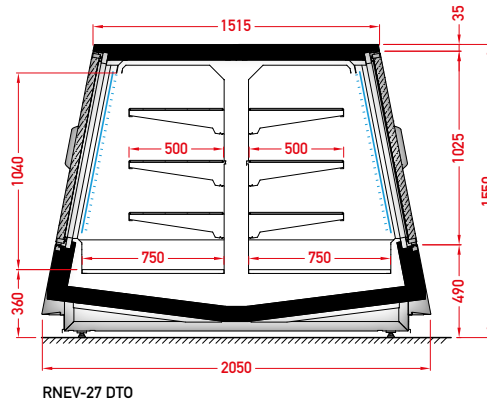
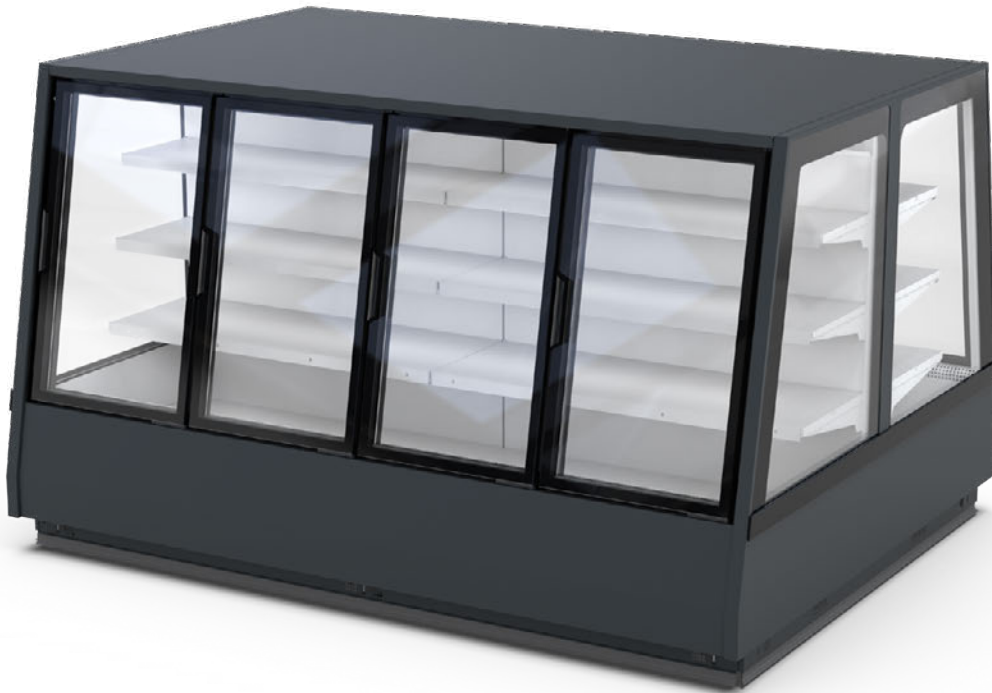
- working temperature, from -25°C to -21°C
- electrical defrosting
- 2 x NTC temperature probe
- exposition: zinc-plated steel, powder coated in white (RAL 9003)
- 3 rows of suspended shelves, on shelves and on air inlet price holders 39 mm
- lighting: vertical LEDit
- inox square bumper

OPTIONS

- sidewalls
- controller with electronic expansion valve

DTO – door | triple straight | hinged





STANDARD FEATURES

- working temperature, from -25°C to -21°C
- electrical defrosting
- 2 x NTC temperature probe
- exposition: zinc-plated steel, powder coated in white (RAL 9003)
- 3 rows of suspended shelves, on shelves and on air inlet price holders 39 mm
- lighting: vertical LEDit
- inox square bumper

OPTIONS

- sidewalls
- controller with electronic expansion valve

DTO – door | triple straight | hinged

AVAILABLE MODULES **DTO** 2500 3750





ISLANDS

REMOTE



These are best adapted for spaces, where you do not want to obscure the view. We constantly improve the design of our equipment and we managed to create better side visibility, easier combining into lines, better service access for some parts and better design capabilities with painted vertical corner profiles.

**Designed for natural
(hydrocarbons) refrigerants**

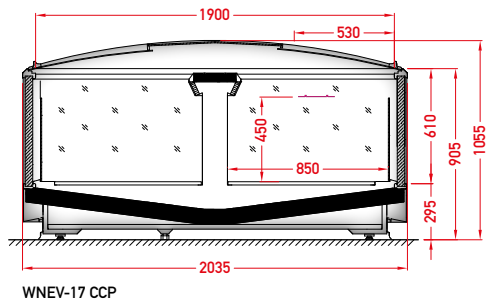
**GLOBAL WARMING
POTENTIAL (AR4)**



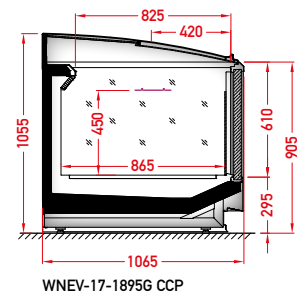
R744



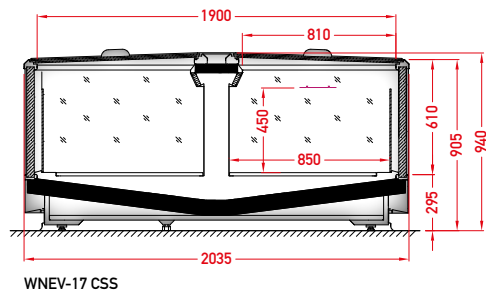
1



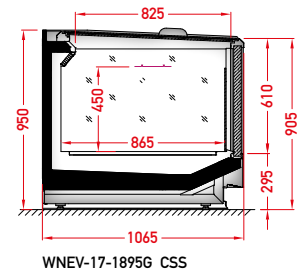
C A/G
2500



D A/G
1895



C A/G
2500



D A/G
1895

STANDARD FEATURES

- double island (1 evaporator per module)
- working temperature: from -25°C to -21°C
- electrical defrosting
- 2 x NTC temperature probe (per evaporator)
- siphoned condensate drains
- thermopane glass
- exposition: zinc-plated steel, powder coated in white (RAL 9003)
- color of the base – black (RAL 9005)
- WNEV-17-1895G sidewalls integrated

OPTIONS

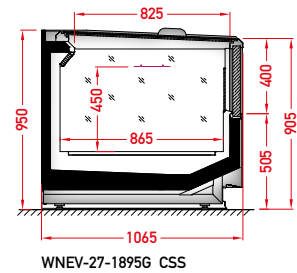
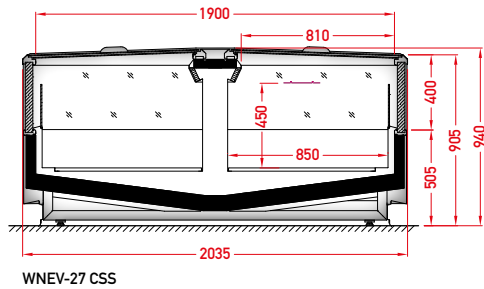
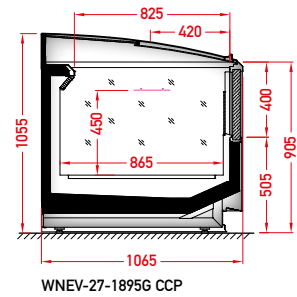
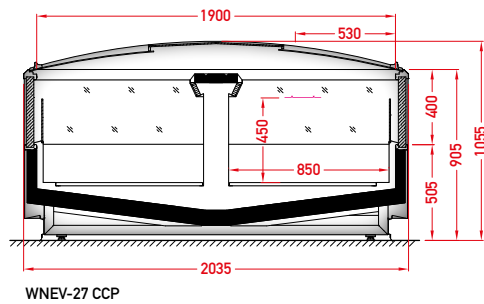
- sidewalls
- LEDit lighting
- controller with electronic expansion valve
- grey PVC bumper

CCP – cover | single, curved | sliding (slide-up/push)
CSS – cover | single, straight | sliding (sideways)

AVAILABLE MODULES

CCP 1875 2500 3750 1895G
CSS 1875 2500 3750 1895G





STANDARD FEATURES

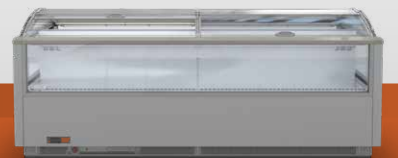
- double island (1 evaporator per module)
- working temperature: from -25°C to -21°C
- electrical defrosting
- 2 x NTC temperature probe (per evaporator)
- siphoned condensate drains
- thermopane glass
- exposition: zinc-plated steel, powder coated in white (RAL 9003)
- color of the base – black (RAL 9005)
- WNEV-27-1895G sidewalls integrated

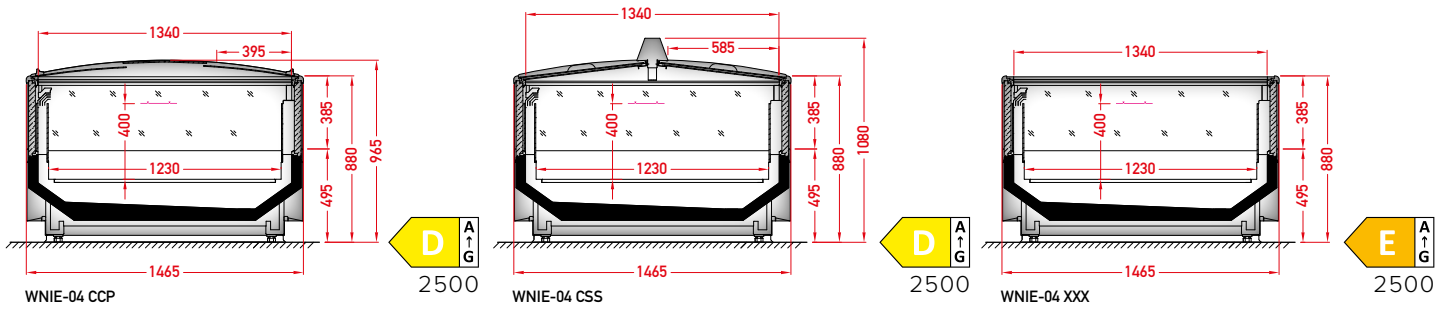
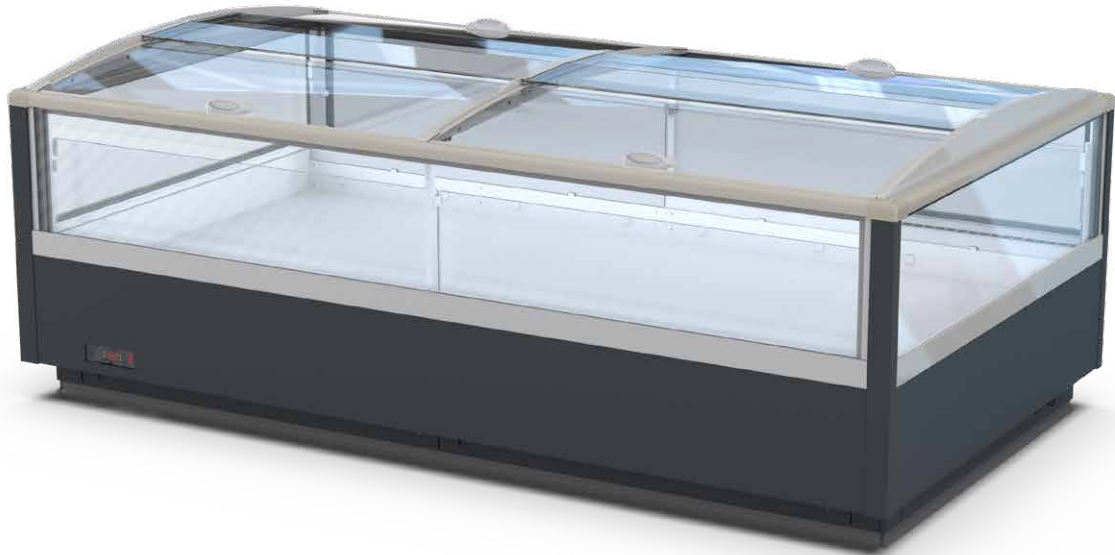
OPTIONS

- sidewalls
- LEDit lighting
- cotroller with electronic expansion valve
- grey PVC bumper

CCP – cover | single, curved | sliding (slide-up/push)
 CSS – cover | single, straight | sliding (sideways)

AVAILABLE MODULES
 CCP 1875 2500 3750 1895G
 CSS 1875 2500 3750 1895G





STANDARD FEATURES

- working temperature: from -25°C to -21°C
- electrical defrosting
- 2 x NTC temperature probe
- siphoned condensate drains
- thermopane glazing
- exposition: zinc-plated steel, powder coated in white (RAL 9003)
- color of the base – black (RAL 9005)
- WNID-04-1340G sidewalls integrated
- mechanical night blind for version XXX

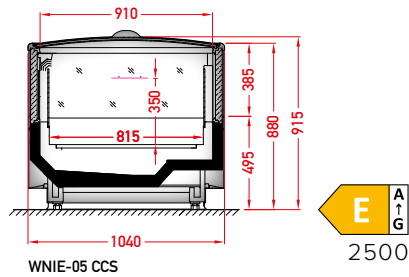
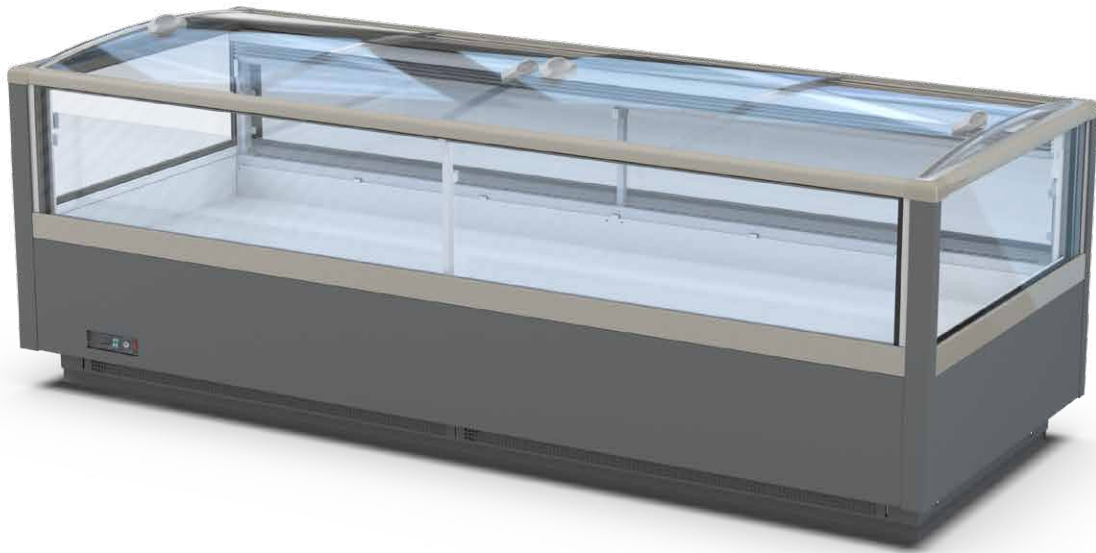
OPTIONS

- sidewalls
- LEDit lighting
- controller with electronic expansion valve
- grey PVC bumper

CCP – cover | single, curved | sliding (slide-up/push)
CSS – cover | single, straight | sliding (sideways)
XXX – no glazing

AVAILABLE MODULES	CCP	CSS	XXX	1875	2500	3750	1340G





STANDARD FEATURES

- working temperature: from -25°C to -21°C
- electrical defrosting
- 2 x NTC temperature probe
- siphoned condensate drains
- thermopane glass
- exposition: zinc-plated steel, powder coated in white (RAL 9003)
- color of the base – black (RAL 9005)

OPTIONS

- sidewalls
- LEDit lighting
- controller with electronic expansion valve
- grey PVC bumper

CCS – cover | single, curved | sliding (sideways)

AVAILABLE MODULES **CCS** 1875 2500 3750



CABINETS

REMOTE





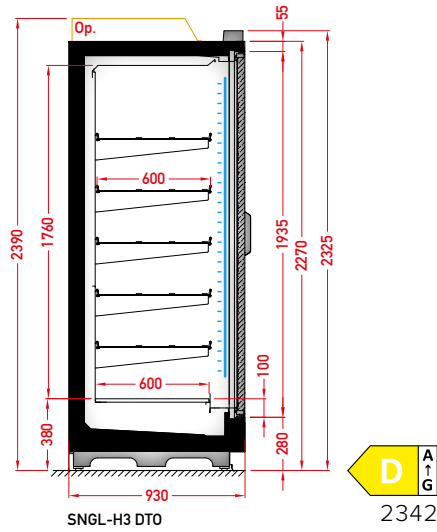
It is typically people with busy lifestyles who are shopping for frozen products. Good arrangement of a store can save a lot of time while shopping. That is why design of our cabinets is about good visibility and ergonomics. Easy to choose – easy to reach.

Designed for natural (hydrocarbons) refrigerants



GLOBAL WARMING POTENTIAL (AR4)





STANDARD FEATURES

- working temperature: from -25°C to -21°C
- electrical defrosting
- 2 x NTC temperature probe
- siphoned condensate drains
- 5 rows of suspended mesh shelves, on shelves and on air inlet price holders 39 mm
- exposition: zinc-plated steel, powder coated in white (RAL 9003)
- lighting: vertical LEDit
- framed doors without heaters
- perspex divider between doors
- color of the base – black (RAL 9005)

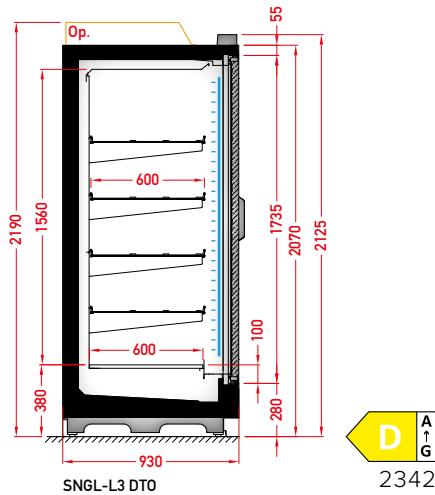
OPTIONS

- sidewalls
- cotroller with electronic expansion valve
- grey PVC bumper



DTO – door | triple straight | hinged

AVAILABLE MODULES **DTO** 1564 2342 2123 3898



STANDARD FEATURES

- working temperature: from -25°C to -21°C
- electrical defrosting
- 2 x NTC temperature probe
- siphoned condensate drains
- 4 rows of suspended mesh shelves, on shelves and on air inlet price holders 39 mm
- exposition: zinc-plated steel, powder coated in white (RAL 9003)
- lighting: vertical LEDit
- framed doors without heaters
- perspex divider between doors
- color of the base – black (RAL 9005)

OPTIONS

- sidewalls
- controller with electronic expansion valve
- grey PVC bumper

DTO – door | triple straight | hinged



COUNTERS

REMOTE





We focus not only on the display of the product, but also ergonomic and multifunctional use. We have created better conditions for product storage, easier cleaning and flexibility in changing the product from with service to self-service.

Designed for natural
(hydrocarbons) refrigerants

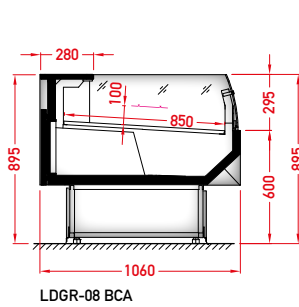
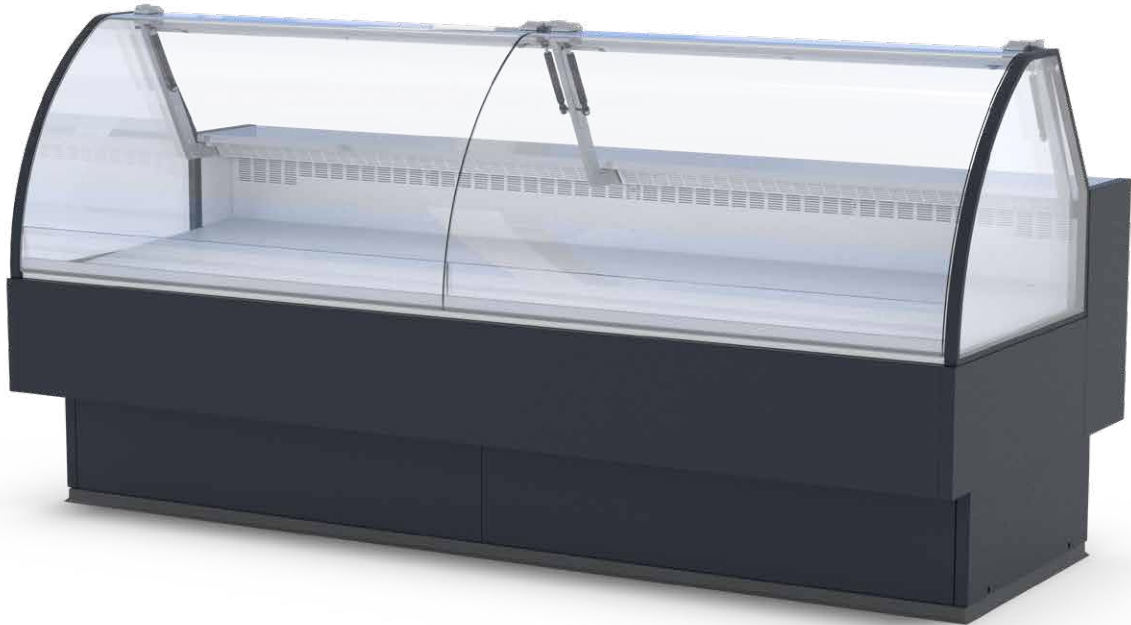


R744

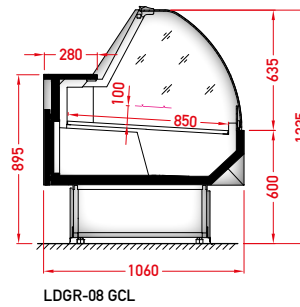
GLOBAL WARMING
POTENTIAL (AR4)



1



F A ↑ G
2500



D A ↑ G
1250

STANDARD FEATURES

- working temperature: from 0°C to 2°C
- electrical defrosting
- 2 x NTC temperature probe
- siphoned condensate drains
- back doors – quantity according to the module
- exposition: zinc-plated steel, powder coated in white (RAL 9003)
- storage: steel coated in grey
- worktop: linen stainless steel
- color of the base black (RAL 9005)
- perspex covers – 1250, 1875, 2500, 3750

OPTIONS

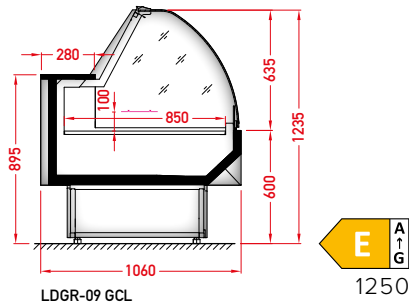
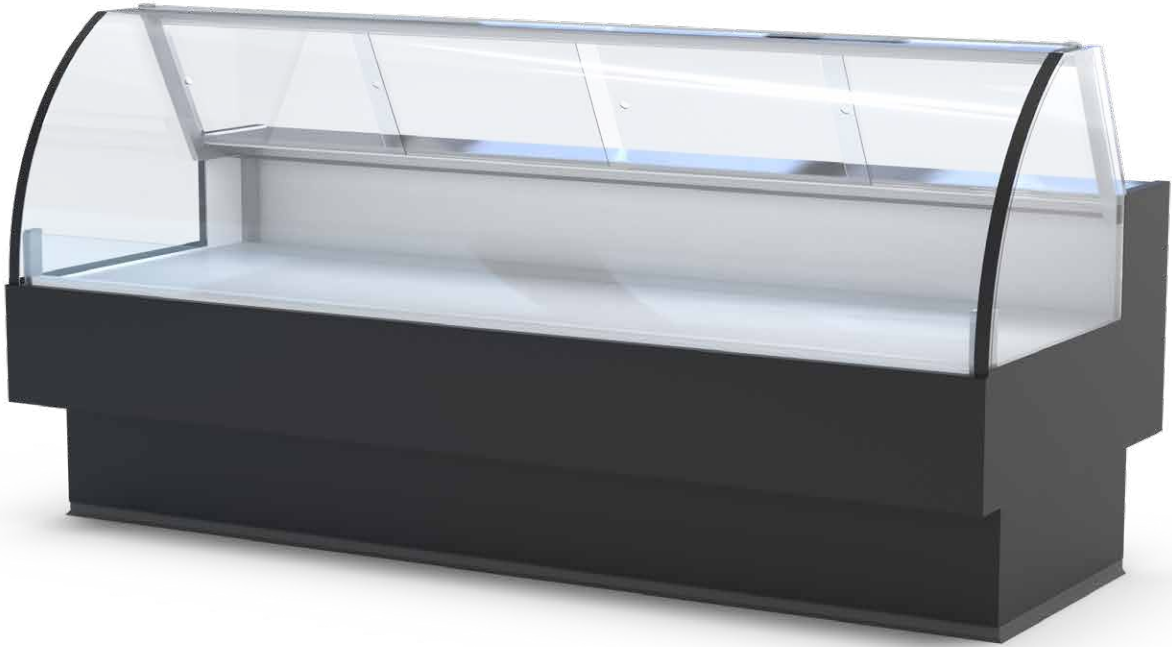
- sidewalls
- LEDit lighting (GCL only)
- controller with electronic expansion valve
- bumper

BCA – front glass riser | single, curved | fixed
GCL – glass | single, curved | lift up

AVAILABLE MODULES

BCA	1250	1875	2500	3750
	NW45	NZ45		
GCL	1250	1875	2500	3750
	NW45	NZ45		





STANDARD FEATURES

- working temperature – straight module and corners from 0°C to 2°C
- electrical defrosting
- 2 x NTC temperature probe
- siphoned condensate drains
- exposition: zinc-plated steel, powder coated in white (RAL 9003)
- worktop: linen stainless steel
- color of the base black (RAL 9005)
- perspex covers – 1250, 1875, 2500, 3750

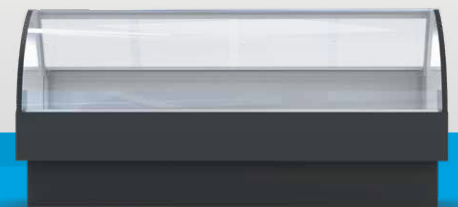
OPTIONS

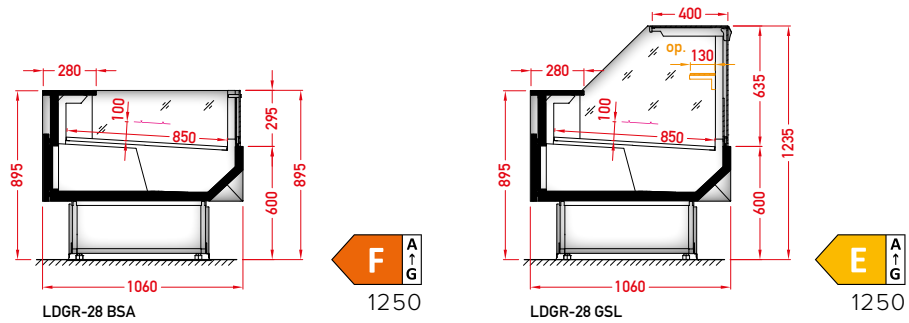
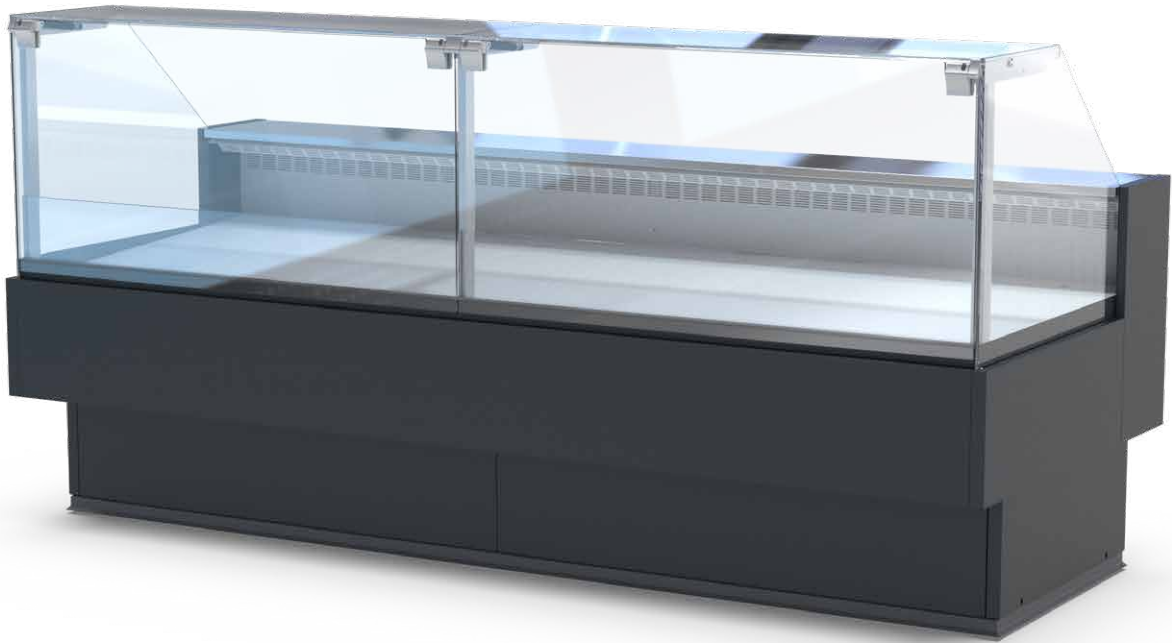
- sidewalls
- LEDit lighting
- controller with electronic expansion valve
- bumper

GCL – glass | single, curved | lift up

AVAILABLE MODULES

GCL 1250 1875 2500
NW45 NZ45





STANDARD FEATURES

- working temperature – straight module and corners from 0°C to 2°C
- electrical defrosting
- 2 x NTC temperature probe
- siphoned condensate drains
- back doors – quantity according to the module
- exposition: zinc-plated steel, powder coated in white (RAL 9003)
- storage: steel coated in grey
- worktop: linen stainless steel
- color of the base black (RAL 9005)
- perspex covers – 1250, 1875, 2500, 3750

OPTIONS

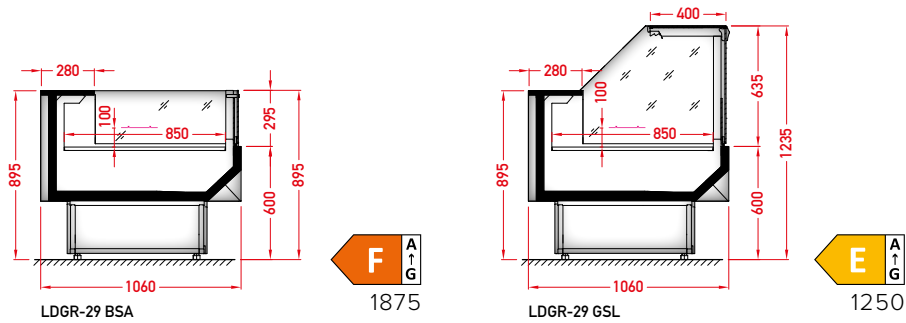
- sidewalls
- LEDit lighting (GSL only)
- controller with electronic expansion valve
- bumper

BSA – front glass riser | single, straight | fixed
GSL – glass | single, straight | lift up

AVAILABLE MODULES

BSA	1250	1875	2500	3750
	NW45	NZ45	NZ90	
GSL	1250	1875	2500	3750
	NW45	NZ45		





STANDARD FEATURES

- working temperature – straight module and corners from 0°C to 2°C
- electrical defrosting
- 2 x NTC temperature probe
- siphoned condensate drains
- exposition: zinc-plated steel, powder coated in white (RAL 9003)
- worktop: linen stainless steel
- color of the base black (RAL 9005)
- perspex covers – 1250, 1875, 2500, 3750

OPTIONS

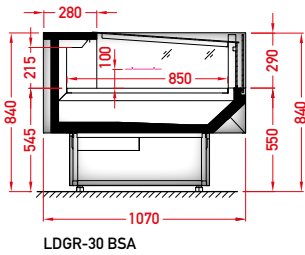
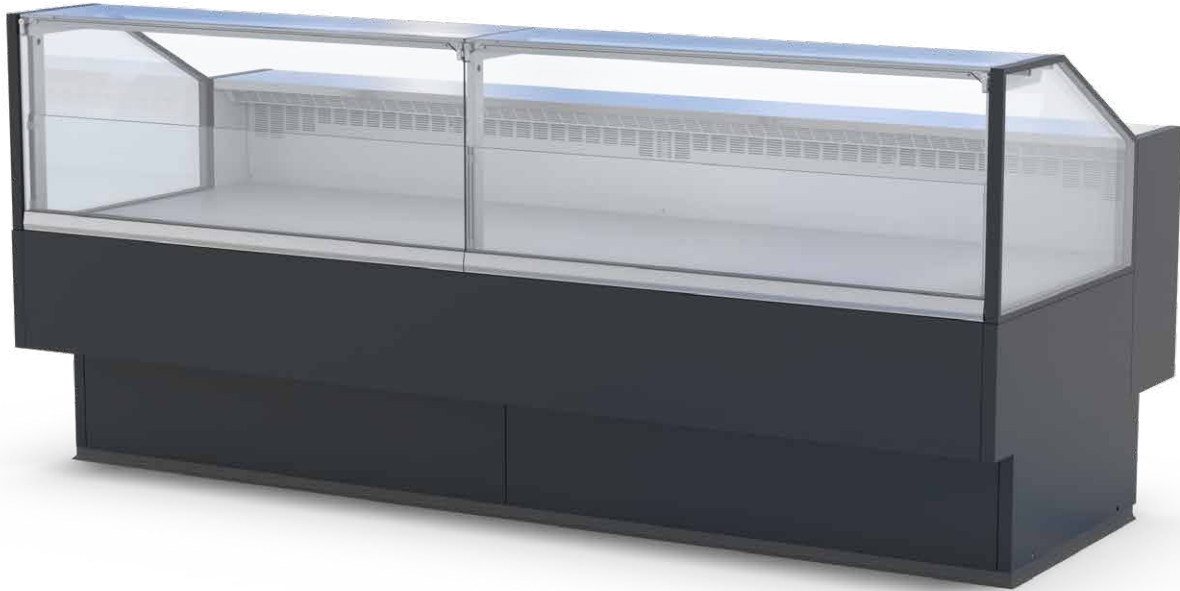
- sidewalls
- LEDit lighting (GSL only)
- controller with electronic expansion valve
- bumper

BSA – front glass riser | single, straight | fixed
 GSL – glass | single, straight | lift up

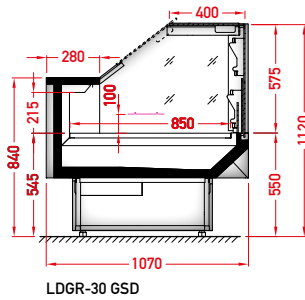


AVAILABLE MODULES

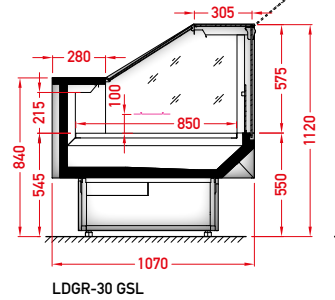
BSA	1250	1875	2500
GSL	1250	1875	2500 3750
	NW45	NZ45	NZ90



E A ↑ G
1875



E A ↑ G
2500



D A ↑ G
1250

STANDARD FEATURES

- working temperature – straight module and corners from 0°C to 2°C
- electrical defrosting
- 2 x NTC temperature probe
- siphoned condensate drains
- exposition: zinc-plated steel, powder coated in white (RAL 9003)
- worktop: linen stainless steel
- color of the base black (RAL 9005)
- perspex covers – 1250, 1875, 2500, 3750

OPTIONS

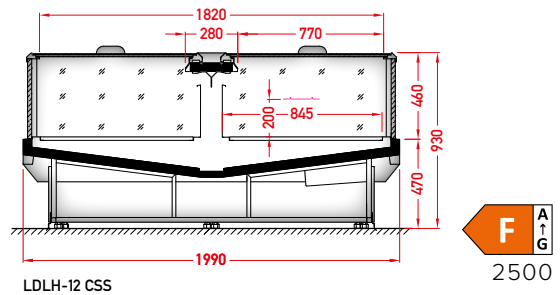
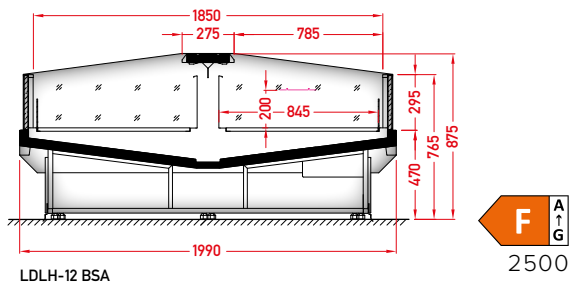
- sidewalls
- LEDit lighting (GSD, GSL only)
- controller with electronic expansion valve
- bumper

BSA – front glass riser | single, straight | fixed
GSD – glass | single, straight | divided
GSL – glass | single, straight | lift up

AVAILABLE MODULES

BSA	1250	1875	2500	3750
	NZ45	NW90	NZ90	
GSL	1250	1875	2500	3750
	NW45	NZ45	NZ90	
GSD	1250	1875	2500	3750





STANDARD FEATURES

- working temperature: from 0°C to 2°C
- electrical defrosting
- 2 x NTC temperature probe
- siphoned condensate drains
- 2 exposition: zinc-plated steel, powder coated in white (RAL 9003)
- exposition on the full base
- mechanical night blind in cassette for version BSA
- cascade 3-levels zinc steel (RAL 9003) for version BSA
- LDLH-12-1930G sidewalls integrated

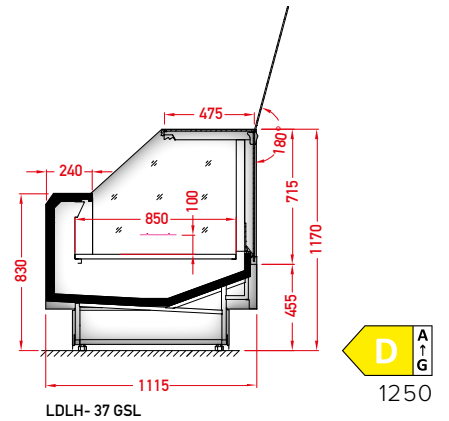
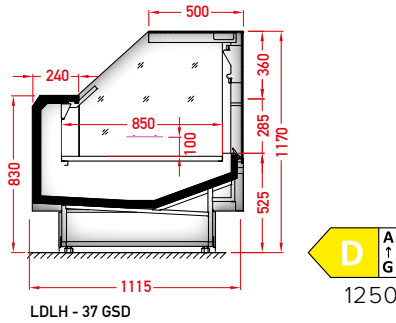
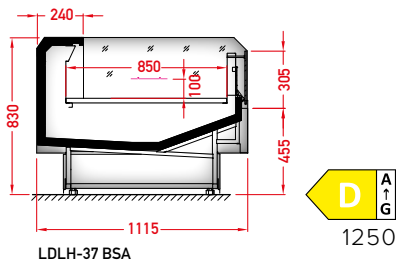
OPTIONS

- sidewalls
- LEDit lighting
- controller with electronic expansion valve
- bumper

BSA – front glass riser | single, straight | fixed
 CSS – cover | single, straight | sliding (sideways)

AVAILABLE MODULES	BSA	1875	2500	3750	1930G
	CSS	1875	2500	3750	1930G





STANDARD FEATURES

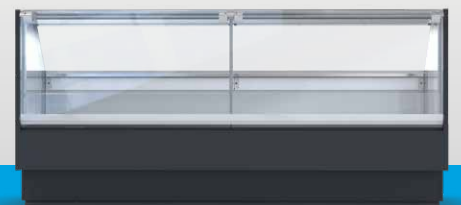
- working temperature – straight and corner NZC/NZS GSL from 0°C to 2°C; corner NZC/NZS BSA from 2°C to 4°C (with cascade from 0°C to 2°C); corner NWS from 4°C to 8°C
- electrical defrosting
- 2 x NTC temperature probe
- siphoned condensate drains
- exposition: zinc-plated steel, powder coated in white (RAL 9003)
- worktop: linen stainless steel
- exposition on a full base

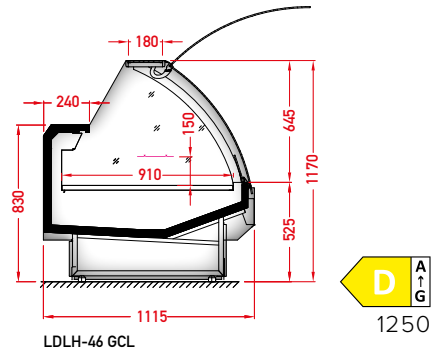
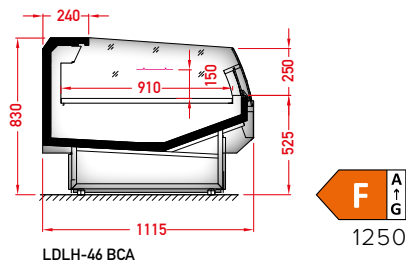
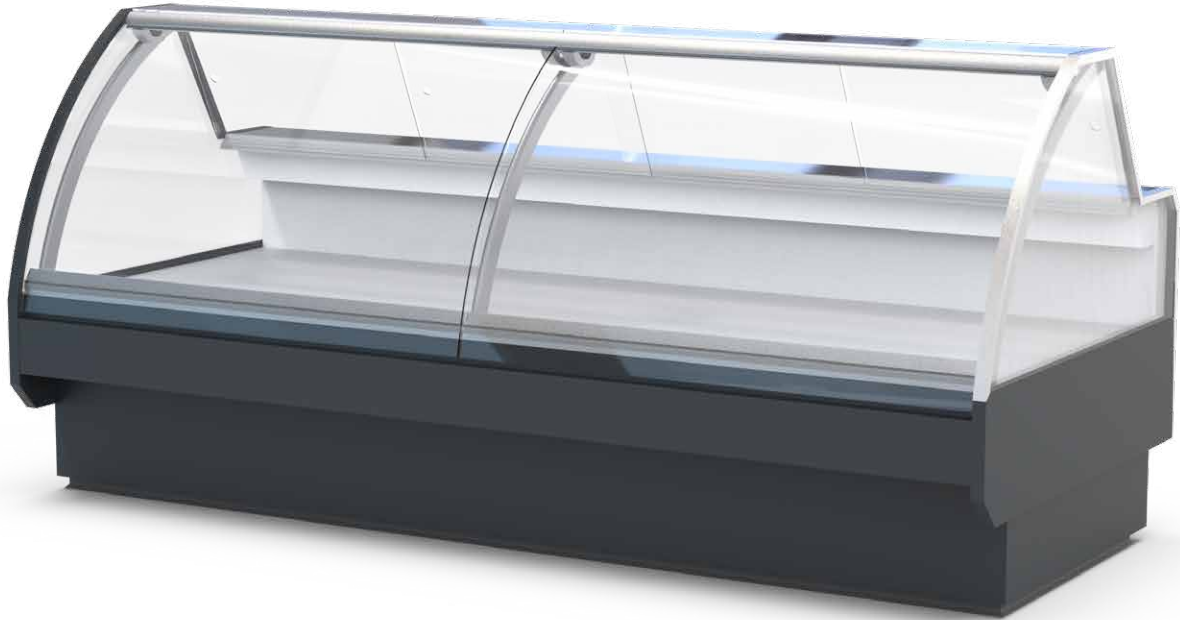
OPTIONS

- sidewalls
- LEDit lighting (GSD, GSL)
- cotroller with electronic expansion valve
- bumper

BSA – front glass riser | single, straight | fixed
 GSD – glass | single, straight | divided
 GSL – glass | single, straight | lift up

AVAILABLE MODULES	BSA	0938	1250	1875	2150	2500	3750
		NW45	NW90	NZC45	NZS45	NZS90	
	GSD	1250	1875	2500	3750		
	GSL	0938	1250	1875	2150	2500	3750
		NW45	NW90	NZC45	NZS45	NZS90	





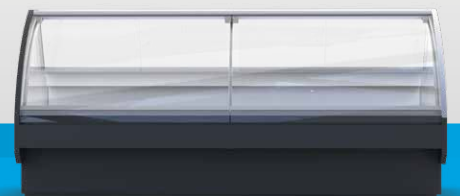
STANDARD FEATURES

- working temperature – straight module: from 0°C to 2°C; corner nodules from 4°C to 8°C
- electrical defrosting
- 2 x NTC temperature probe
- siphoned condensate drains
- exposition: zinc-plated steel, powder coated in white (RAL 9003)
- worktop: linen stainless steel
- perspex covers
- expositions full base

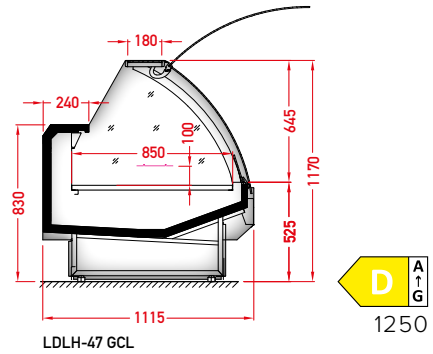
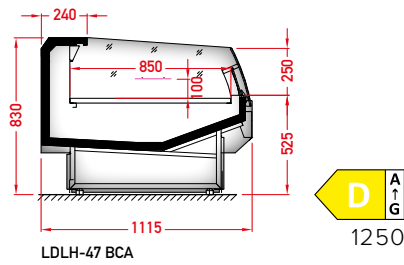
OPTIONS

- sidewalls
- LEDit lighting (GCL)
- cotroller with electronic expansion valve
- bumper

BCA – front glass riser | single, curved | fixed
 GCL – glass | single, curved | lift up



AVAILABLE MODULES	BCA	1250	1875	2150	2500
	GCL	1250	1875	2150	2500 3750



STANDARD FEATURES

- working temperature – straight module: from 0°C to 2°C; corner nodules from 4°C to 8°C
- electrical defrosting
- 2 x NTC temperature probe
- siphoned condensate drains
- exposition: zinc-plated steel, powder coated in white (RAL 9003)
- worktop: linen stainless steel
- expositions full base

OPTIONS

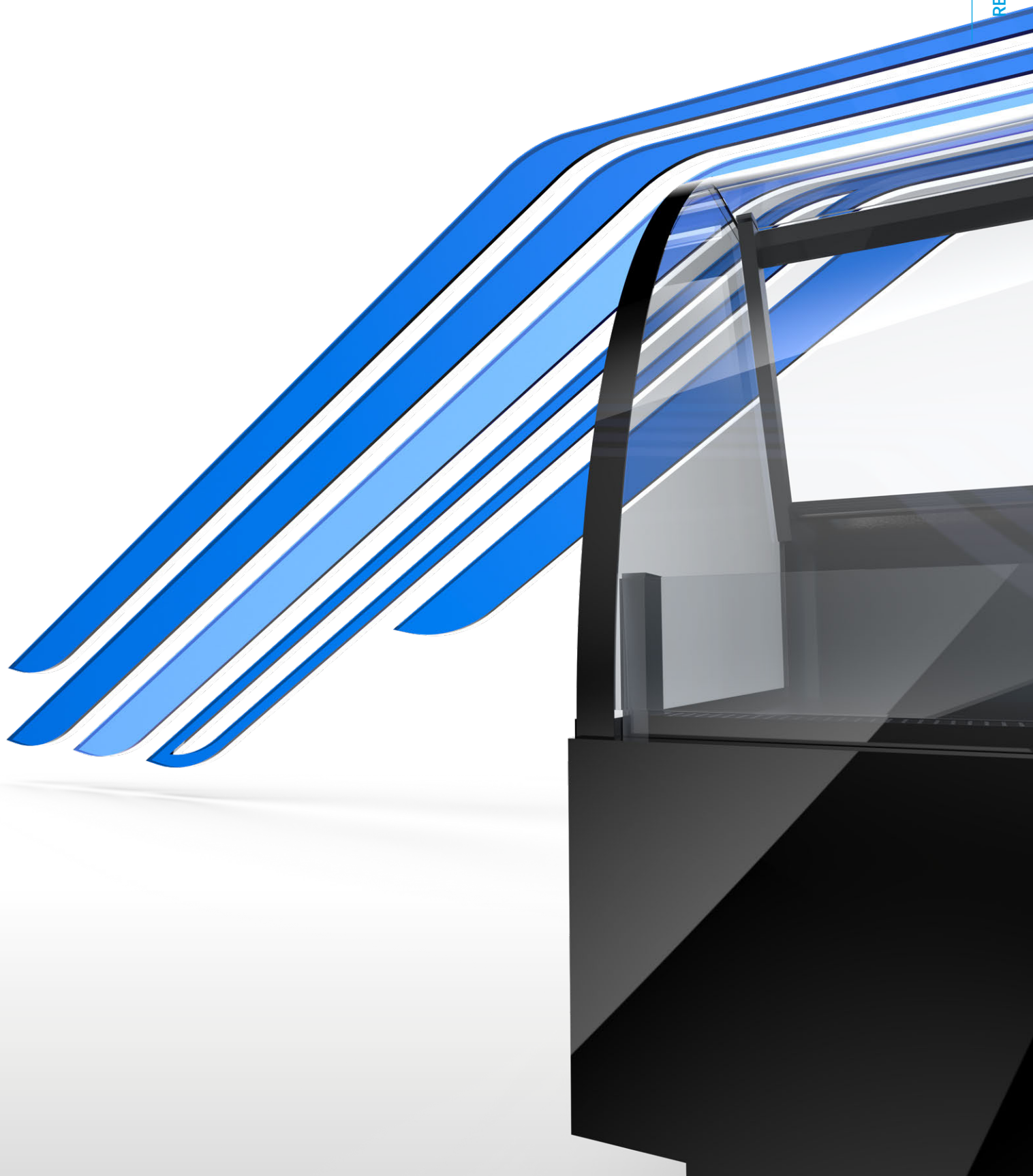
- sidewalls
- LEDit lighting (GCL)
- cotroller with electronic expansion valve
- bumper

BCA – front glass riser | single, curved | fixed
GCL – glass | single, curved | lift up



AVAILABLE MODULES

BCA	1250	1875	2150	2500	3750
	NW45	NW90	NZ45	NZ90	
GCL	0938	1250	1875	2150	2500
	NW45	NW90	NZ45	NZ90	

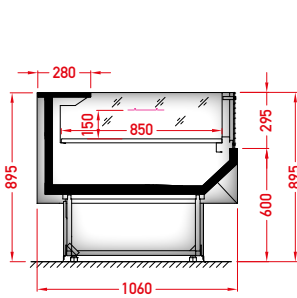


HOT CASES

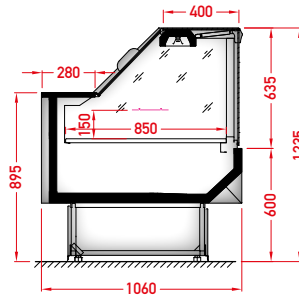




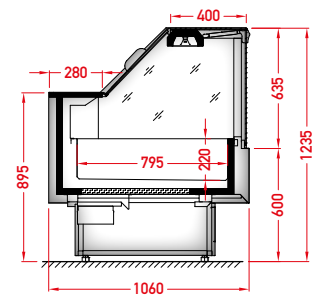
Ideal for the busy restaurant or food service outlet, our range of hot cases use hot lamps, heated elements or Bain marie's and can be multiplexed with chilled counters from the same range.



LGGR-28 BSA
Hot-plate



LGGR-28 GSL
Hot-plate



LGGR-28 GSL
Bain-marie

STANDARD FEATURES

- hot cases: Bain Marie / Hot plate
- temperature up to 85°C
- electronic controller with temperature indicator / for Bain Marie additionally a mechanical thermometer at the air inlet
- feature of the heating element – heating plate (for hot case) / heating bath (for Bain Marie)

- lighting panel: IR heating lamp (for GSL)
- exposition: stainless steel H18
- external surfaces (front/base): zinc-plated steel, powder coated
- Sliding back glass doors for GSL
- exposition on a full base

OPTIONS

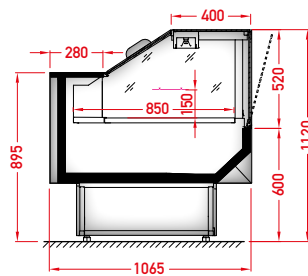
- sidewalls
- bumper

BSA – front glass riser | single, straight | fixed
GSL – glass | single, straight | lift up

AVAILABLE MODULES

BSA	1250	Hot-plate
GSL	1250	Hot-plate
	1250	Bain-marie





LGGR-30 GST
 Hot plate

STANDARD FEATURES

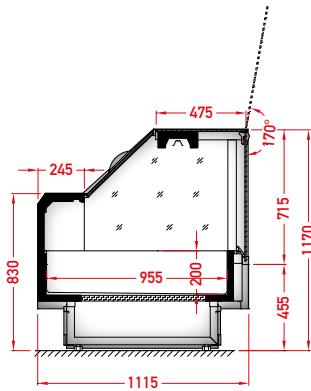
- hot cases: Hot plate
- temperature up to 85°C
- electronic controller with temperature indicator
- feature of the heating element – heating plate (for hot case)
- lighting panel: IR heating lamp
- exposition: stainless steel H18
- external surfaces (front/base): zinc-plated steel, powder coated
- exposition on a full base

OPTIONS

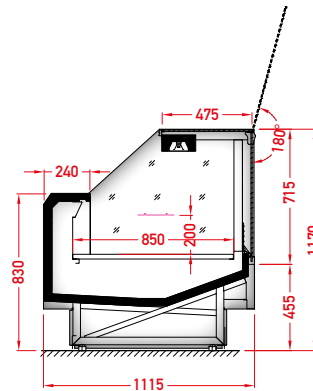
- sidewalls
- bumper

GST – glass | single, straight | tilt





LGLH-37 GSL
 Bain-marie



LGLH-37 GSL
 Hot-plate

STANDARD FEATURES

- hot cases: Bain Marie/Hot plate
- temperature up to 85°C
- electronic controller with temperature indicator / for Bain Marie additionally a mechanical thermometer at the air inlet
- feature of the heating element – heating plate (for hot case) / heating bath (for Bain Marie)

OPTIONS

- sidewalls
- bumper

GSL – glass | single, straight | lift up

AVAILABLE MODULES **GSL** 1250 1875 Hot-plate
 0938 1250 Bain-marie







LES FROMAGES

PRIX
BAS



LA
CRÈME

13°C

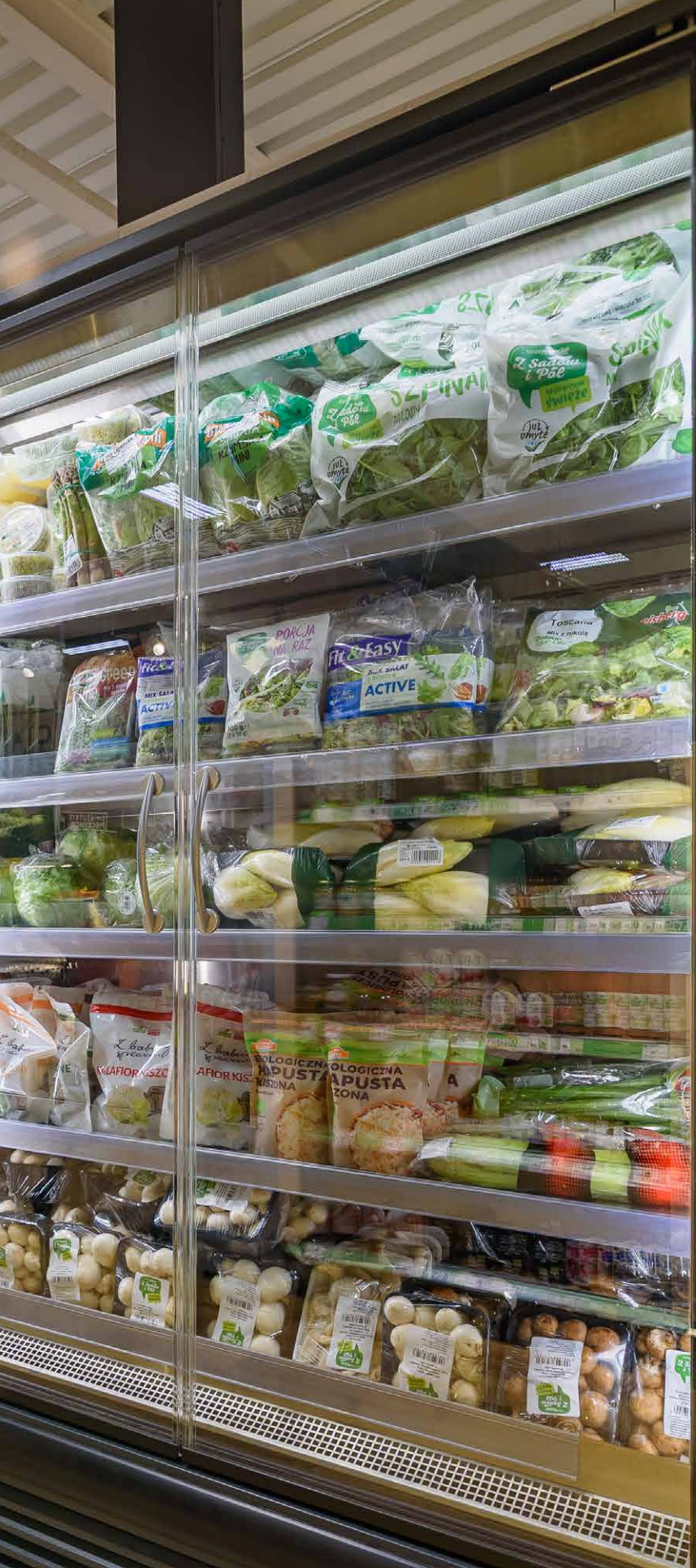


PLUG-IN

MULTIDECKS

PLUG-IN





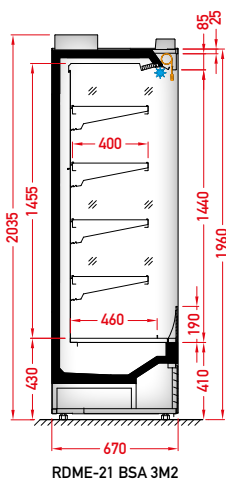
Our desire for continuous improvement and innovation has led us to develop systems and solutions that reduce environmental impact. That is why we have developed a system that eliminates defrost cycle and lowers the energy use.

**Designed for natural
(hydrocarbons) refrigerants**

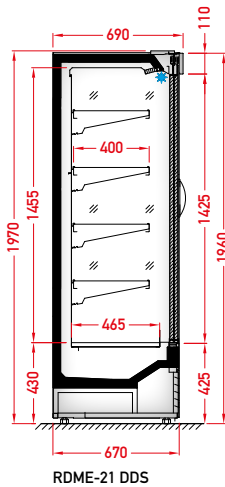


**GLOBAL WARMING
POTENTIAL (AR4)**

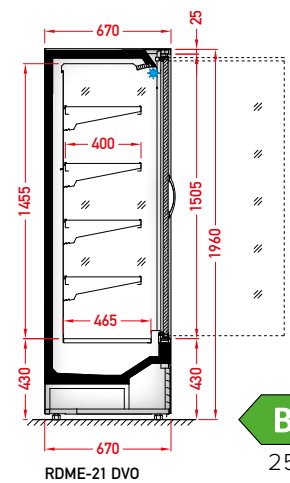




E A ↑ G
1250



B A ↑ G
2500



B A ↑ G
2500

STANDARD FEATURES

- working temperature: for DVO/DDS/BSA-II: from 0°C to 2°C; for BSA-I2: from 2°C to 4°C;
- natural defrosting
- automatic evaporation of condensate
- electronic controller with temperature indicator
- exposition: zinc-plated steel, powder coated in white (RAL 9003)
- 4 rows of suspended shelves, on shelves and on air inlet price holders 39 mm
- lighting: top, LEDit
- color of the base black (RAL 9005)
- mechanical night blind for version BSA

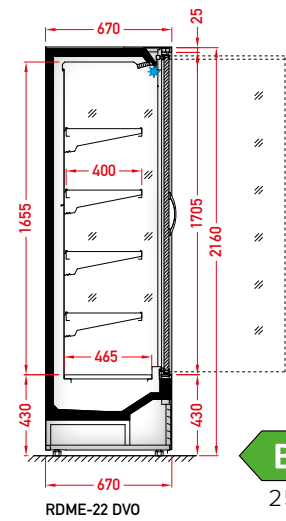
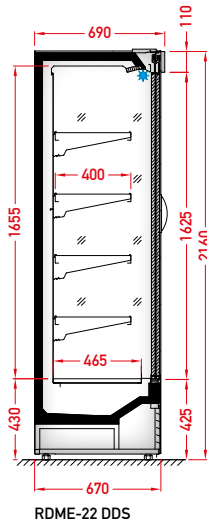
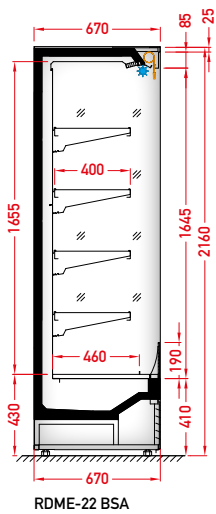
OPTIONS

- sidewalls
- vertical LEDit lighting (DDS, DVO)
- underlighting shelves LEDit lighting

BSA – front glass riser | single, straight | fixed
DDS – door | double, straight | sliding (sideways)
DVO – door | double, straight | hinged



AVAILABLE MODULES	BSA	0900	1250	1875	2500
	DDS	1250	1875	2500	
	DVO	1250	1875	2500	



STANDARD FEATURES

- working temperature: DVO/DDS from 0°C to 2°C; BSA 2°C to 6°C
- natural defrosting
- automatic evaporation of condensate
- electronic controller with temperature indicator
- exposition: zinc-plated steel, powder coated in white (RAL 9003)

- 4 rows of suspended shelves, on shelves and on air inlet price holders 39 mm
- lighting: top, LEDit
- color of the base black (RAL 9005)
- mechanical night blind for version BSA

OPTIONS

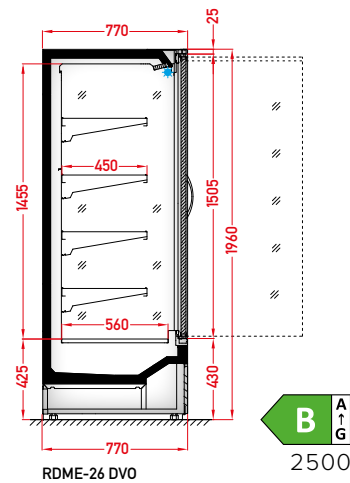
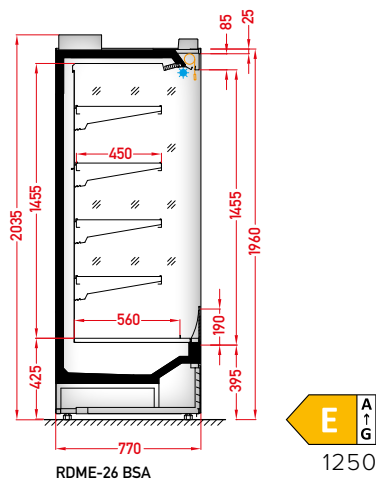
- sidewalls
- vertical LEDit lighting (DDS, DVO)
- underlighting shelves LEDit lighting

BSA – front glass riser | single, straight | fixed
 DDS – door | double, straight | sliding (sideways)
 DVO – door | double, straight | hinged



AVAILABLE MODULES

BSA	0900	1250	1600	1875	2500
DDS	1250	1875			
DVO	1250	1875	2500		



STANDARD FEATURES

- working temperature: BSA: from 2°C to 4°C, DVO: from 0°C to 2°C
- natural defrosting
- automatic evaporation of condensate
- electronic controller with temperature indicator
- exposition: zinc-plated steel, powder coated in white (RAL 9003)
- 4 rows of suspended shelves, on shelves and on air inlet price holders 39 mm
- lighting: top, LEDit
- color of the base black (RAL 9005)
- mechanical night blind for version BSA

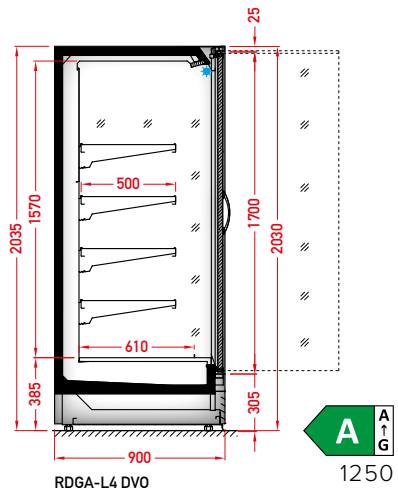
OPTIONS

- sidewalls
- vertical LEDit lighting for DVO
- underlighting shelves LEDit lighting

BSA – front glass riser | single, straight | fixed
DVO – door | double, straight | hinged



AVAILABLE MODULES	BSA	0938	1250	1875	2500
	DVO	0938	1250	1875	2500



RDGA-L4 DVO

* single module with glass sidewalls

STANDARD FEATURES

- working temperature: from 0°C to 2°C
- defrosting: I4: hot gas, I3: natural
- automatic evaporation of condensate
- electronic controller with temperature indicator
- exposition: zinc-plated steel, powder coated in white (RAL 9003)
- 4 rows of suspended shelves, on shelves and on air inlet price holders 39 mm
- lighting: top, LEDit,
- color of the base black (RAL 9005)

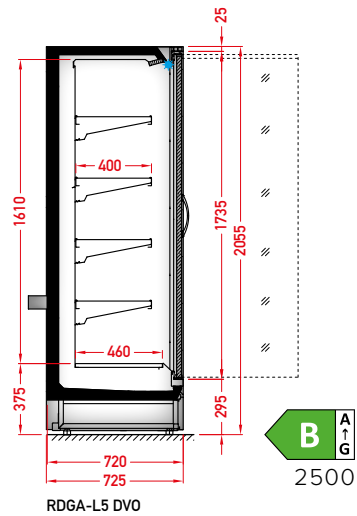
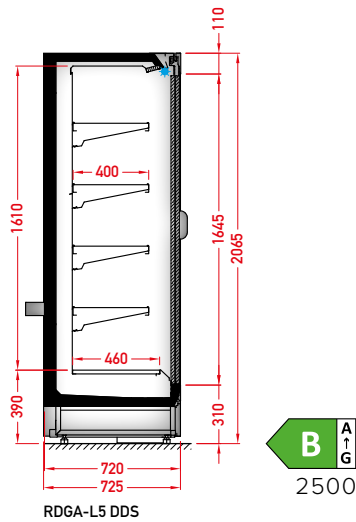
OPTIONS

- sidewalls
- vertical LEDit lighting
- underlighting shelves LEDit lighting

DVO – door | double, straight | hinged

AVAILABLE MODULES **DVO** 1250 1875 2500 3750





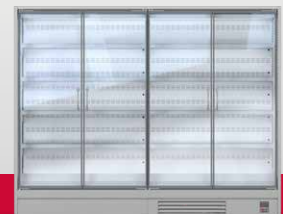
STANDARD FEATURES

- working temperature: from 0°C to 2°C
- hot gas defrosting
- automatic evaporation of condensate
- electronic controller with temperature indicator
- exposition: zinc-plated steel, powder coated in white (RAL 9003)
- 4 rows of suspended shelves, on shelves and on air inlet price holders 39 mm
- lighting: top, LEDit,
- color of the base black (RAL 9005)

OPTIONS

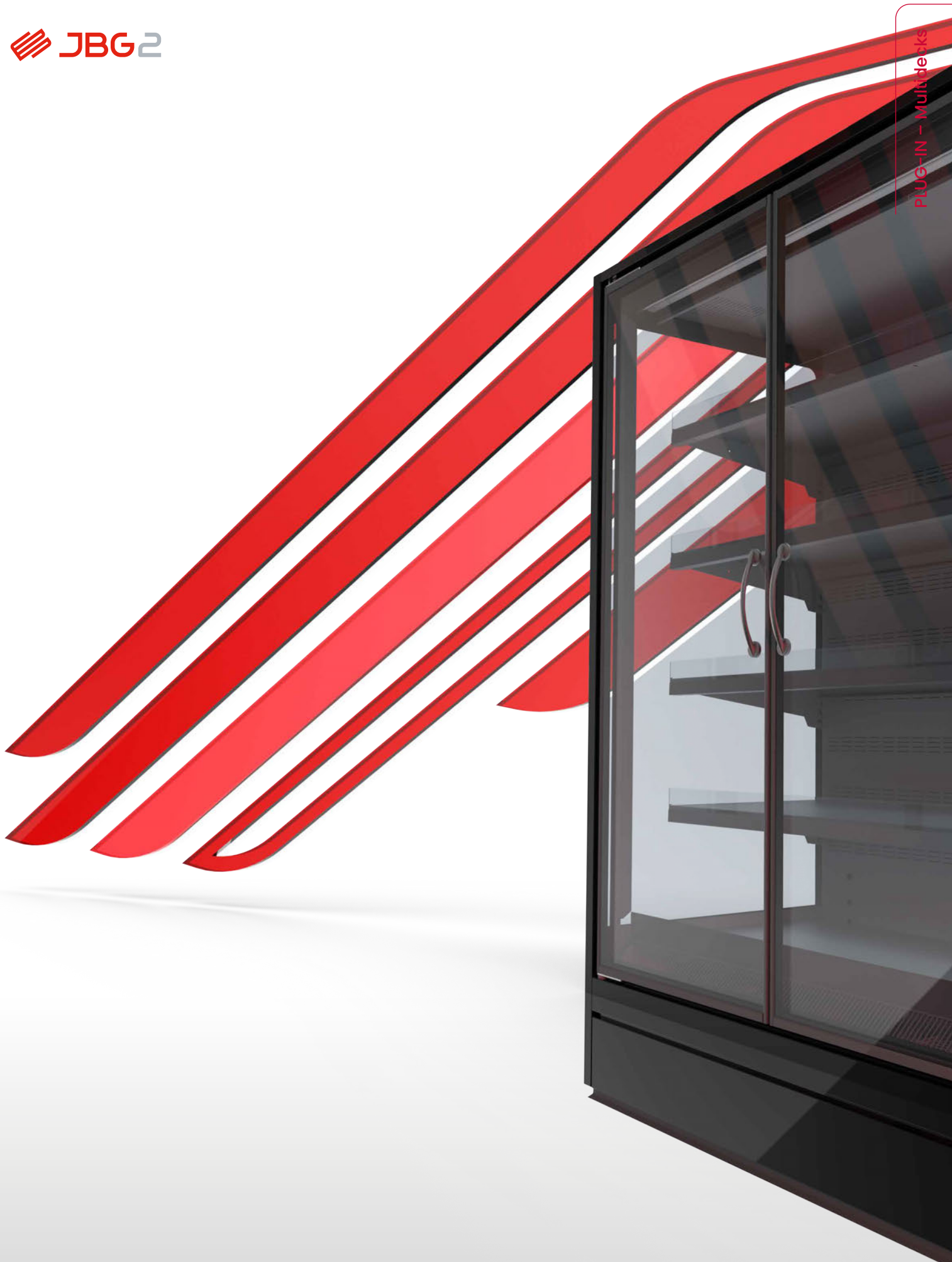
- sidewalls
- vertical LEDit lighting for DVO
- underlighting shelves LEDit lighting

DDS – door | double, straight | sliding (sideways)
DVO – door | double, straight | hinged



AVAILABLE MODULES

DDS	1000	1250	1600	1875	2500	3750
DVO	1000	1250	1600	1875	2500	3750



Semi Vertical

MULTIDECKS

PLUG-IN



ITEUR



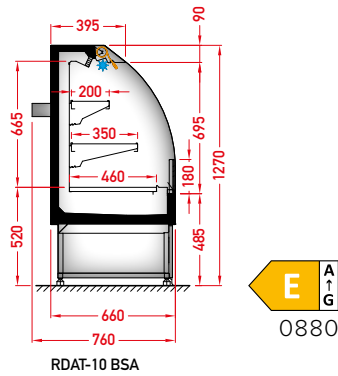
This range of lower height multidecks has been designed to combine compact size and large display area. This solution provides a variety of options for store layout.

Designed for natural (hydrocarbons) refrigerants



GLOBAL WARMING POTENTIAL (AR4)



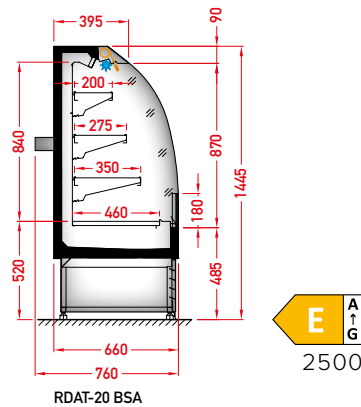


STANDARD FEATURES

- working temperature: from 0°C to 2°C
- natural defrosting
- automatic evaporation of condensate
- electronic controller with temperature indicator
- exposition: zinc-plated steel, powder coated in white (RAL 9003)
- 2 rows of suspended shelves, on shelves and on air inlet price holders 39 mm
- lighting: top, LEDit,
- color of the base black (RAL 9005)
- Integrated sidewalls (perspex)
- mechanical night blind

BSA – front glass riser | single, straight | fixed





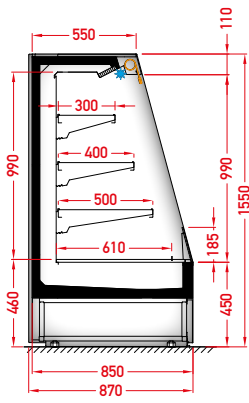
STANDARD FEATURES

- working temperature: from 0°C to 2°C
- natural defrosting
- automatic evaporation of condensate
- electronic controller with temperature indicator
- exposition: zinc-plated steel, powder coated in white (RAL 9003)
- 3 rows of suspended shelves, on shelves and on air inlet price holders 39 mm
- lighting: top, LEDit
- color of the base black (RAL 9005)
- Integrated sidewalls (perspex)
- mechanical night blind

BSA – front glass riser | single, straight | fixed

AVAILABLE MODULES **BSA** 0580 0880 1180 1875 2500

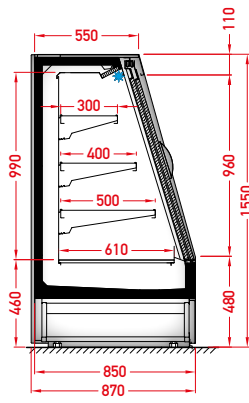




RDAL-N5 BSA

E A ↑ G

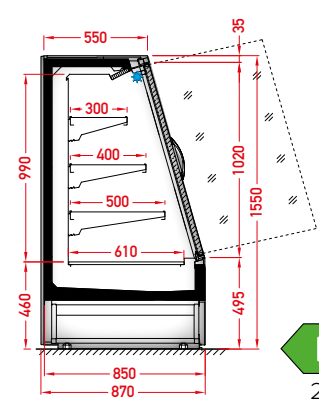
1250



RDAL-N5 DDS

B A ↑ G

2500



RDAL-N5 DVO

B A ↑ G

2500

STANDARD FEATURES

- working temperature: from 0°C to 2°C
- natural defrosting
- automatic evaporation of condensate
- electronic controller with temperature indicator
- exposition: zinc-plated steel, powder coated in white (RAL 9003)
- 3 rows of suspended shelves, on shelves and on air inlet price holders 39 mm
- lighting: top, LEDit,
- color of the base black (RAL 9005)
- mechanical night blind for BSA version

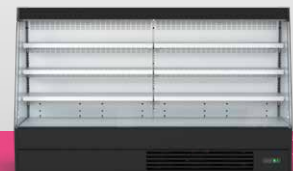
OPTIONS

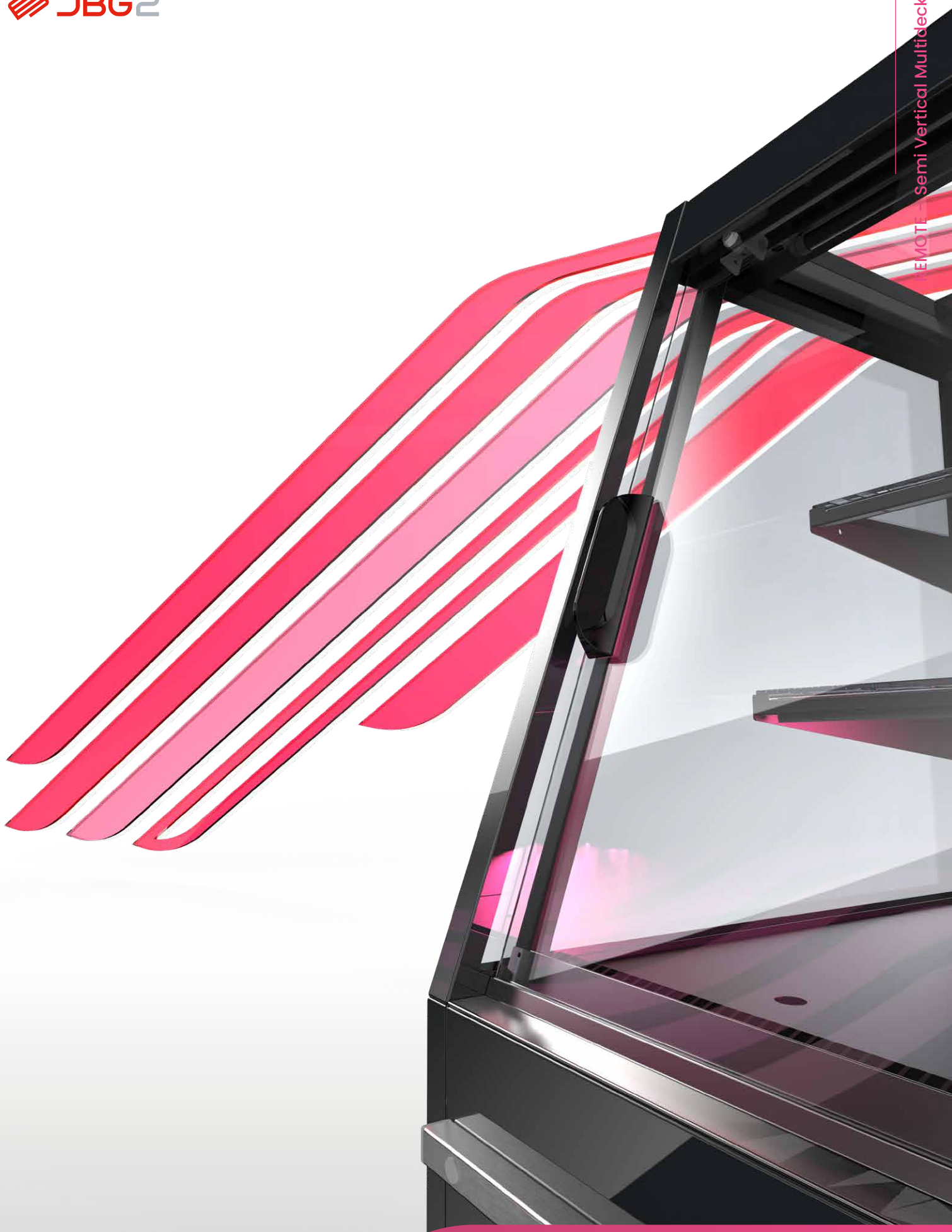
- sidewalls
- vertical LEDit Lighting (DDS, DVO)
- underlighting shelves LEDit lighting
- bumper

BSA – front glass riser | single, straight | fixed
DDS – door | double, straight | sliding (sideways)
DVO – door | double, straight | hinged

AVAILABLE MODULES

BSA	1250	1875	2500
DDS	1250	1875	2500
DVO	1250	1875	2500







ISLANDS

PLUG-IN



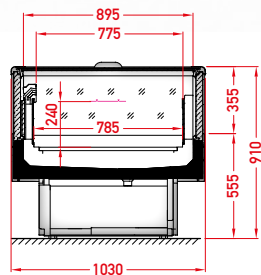
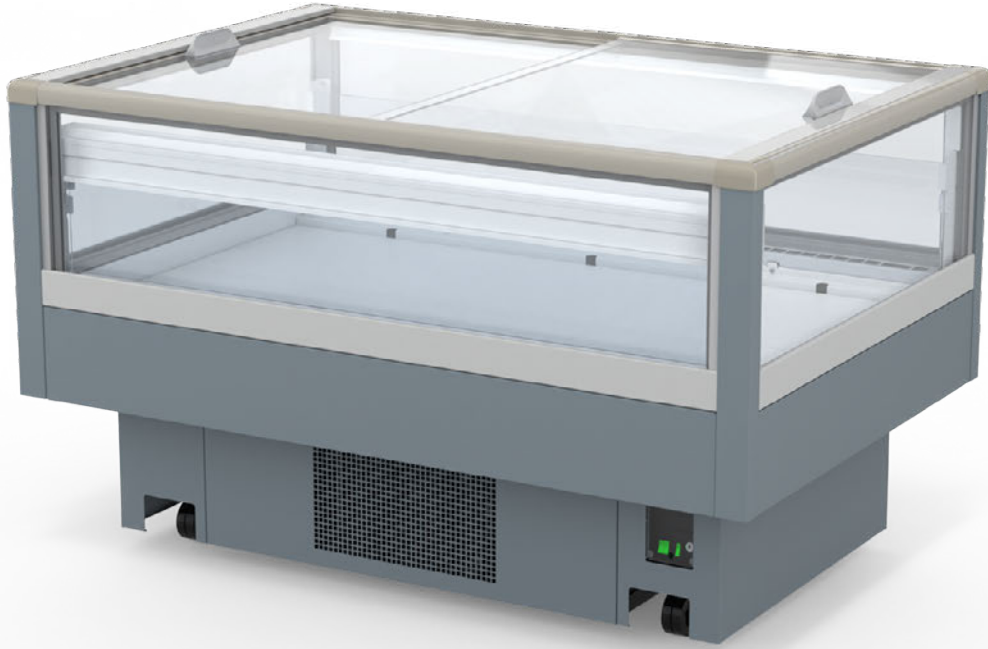
These are best adapted for spaces, where you do not want to obscure the view. We constantly improve the design of our equipment and we managed to create better side visibility, easier combining into lines, better service access for some parts and better design capabilities with painted vertical corner profiles.

Designed for natural (hydrocarbons) refrigerants



GLOBAL WARMING POTENTIAL (AR4)

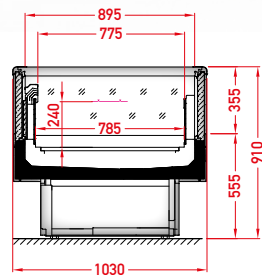




WNPR-04 CSS



1230



WNPR-04 XXX



1230

STANDARD FEATURES

- working temperature: from -25°C to -21°C
- hot gas defrosting
- automatic evaporation of condensate
- electronic controller with temperature indicator
- exposition: zinc-plated steel, powder coated in white (RAL 9003)
- thermopane glass
- color of the base black (RAL 9005)
- sidewalls integrated
- night cover for version XXX

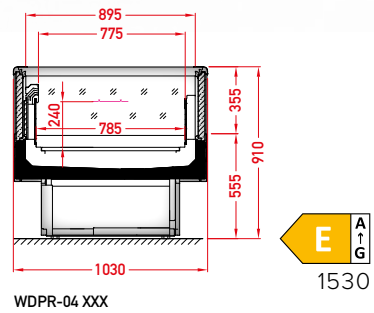
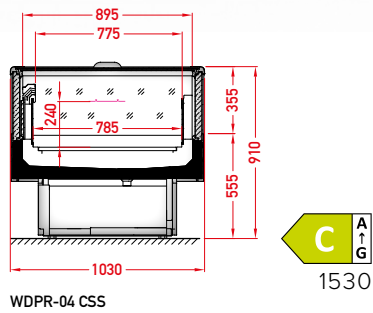
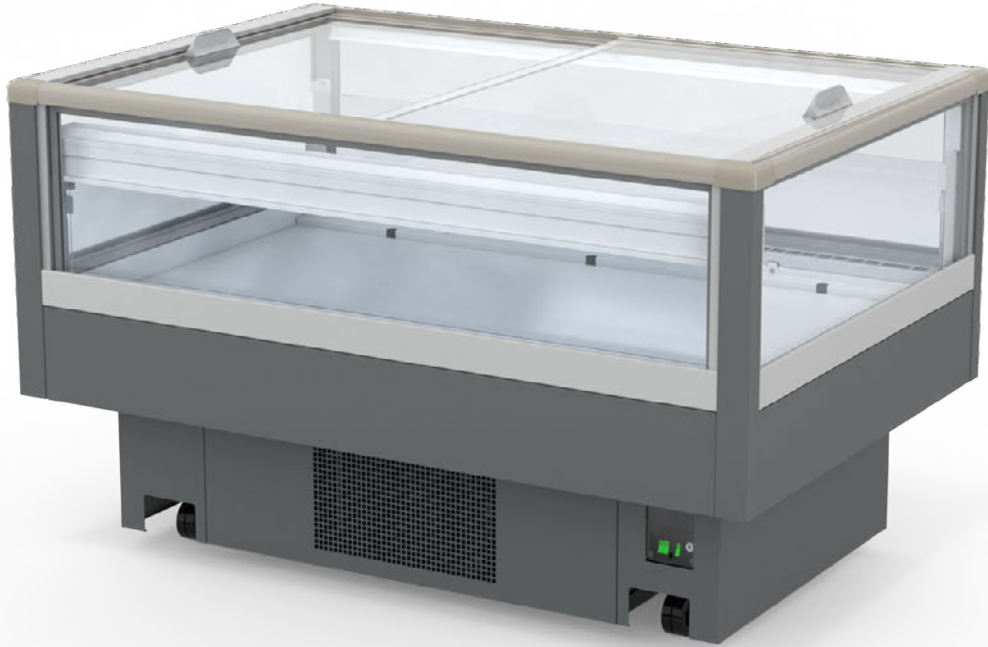
OPTIONS

- bumper
- LEDit lighting

CSS – cover | single, straight | sliding (sideways)
 XXX – no glazing

AVAILABLE MODULES	CSS	1230	1530	2030	2530
	XXX	1230	1530	2030	





STANDARD FEATURES

- working temperature: from 0°C to 2°C
- hot gas defrosting for modules 1530/2530 CSS; electrical defrosting for modules 2030 CSS/ all XXX
- automatic evaporation of condensate
- electronic controller with temperature indicator
- exposition: zinc-plated steel, powder coated in white (RAL 9003)
- thermopane glass
- color of the base black (RAL 9005)
- sidewalls integrated

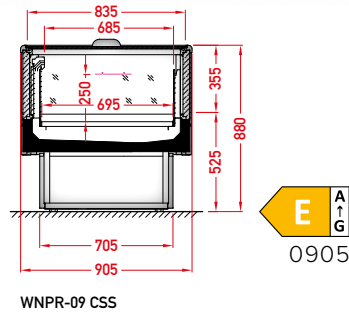
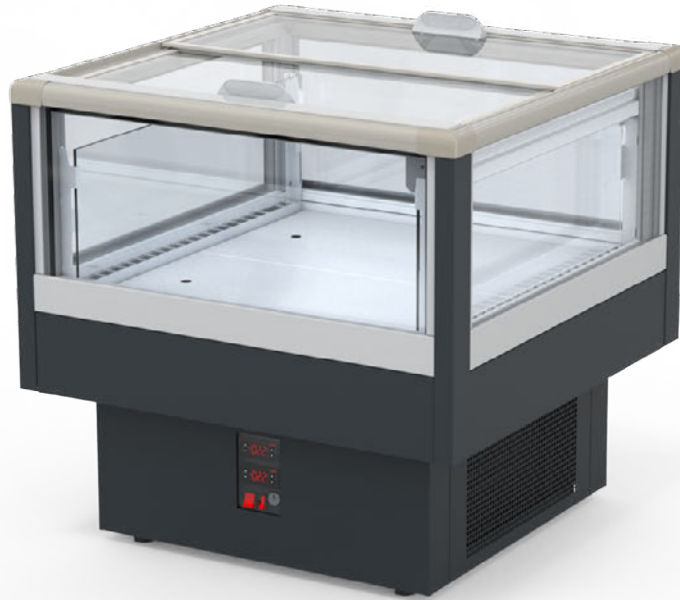
OPTIONS

- bumper
- LEDit lighting

CSS – cover | single, straight | sliding (sideways)
 XXX – no glazing



AVAILABLE MODULES	CSS	1530	2030	2530
	XXX	1530	2030	2530



STANDARD FEATURES

- working temperature: from -25°C to -21°C
- hot gas defrosting
- automatic evaporation of condensate
- electronic controller with temperature indicator
- exposition: zinc-plated steel, powder coated in white (RAL 9003)
- thermopane glass
- color of the base black (RAL 9005)
- sidewalls integrated

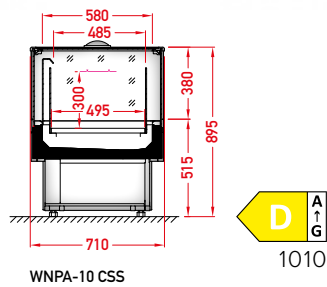
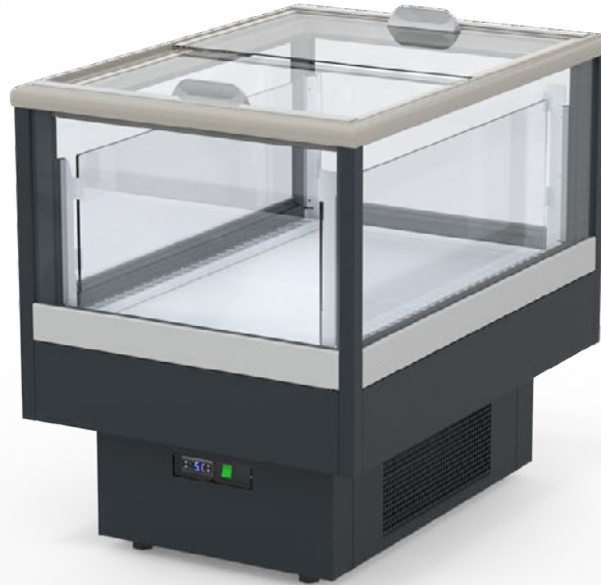
OPTIONS

- bumper
- LEDit lighting

CSS – cover | single, straight | sliding (sideways)

AVAILABLE MODULES **CSS** 0905





STANDARD FEATURES

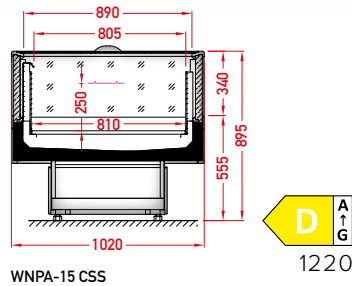
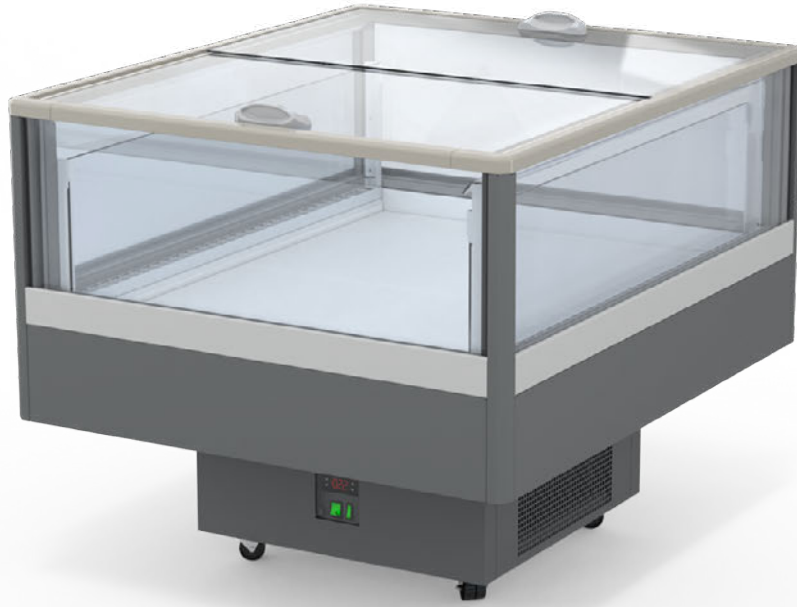
- working temperature: from -25°C to -21°C
- hot gas defrosting
- automatic evaporation of condensate
- electronic controller with temperature indicator
- exposition: zinc-plated steel, powder coated in white (RAL 9003)
- thermopane glass
- color of the base black (RAL 9005)
- sidewalls integrated

OPTIONS

- bumper
- LEDit lighting

CSS – cover | single, straight | sliding (sideways)





STANDARD FEATURES

- working temperature: from -25°C to -21°C
- hot gas defrosting
- automatic evaporation of condensate
- electronic controller with temperature indicator
- exposition: zinc-plated steel, powder coated in white (RAL 9003)
- thermopane glass
- color of the base black (RAL 9005)
- sidewalls integrated

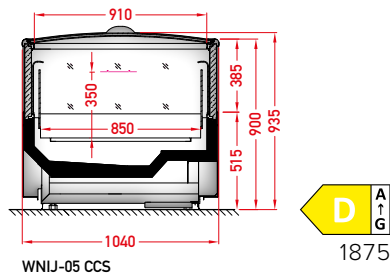
OPTIONS

- bumper
- LEDit lighting

CSS – cover | single, straight | sliding (sideways)

AVAILABLE MODULES **CSS** 1220





STANDARD FEATURES

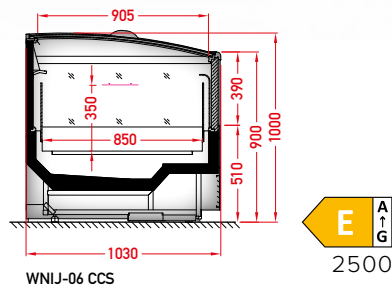
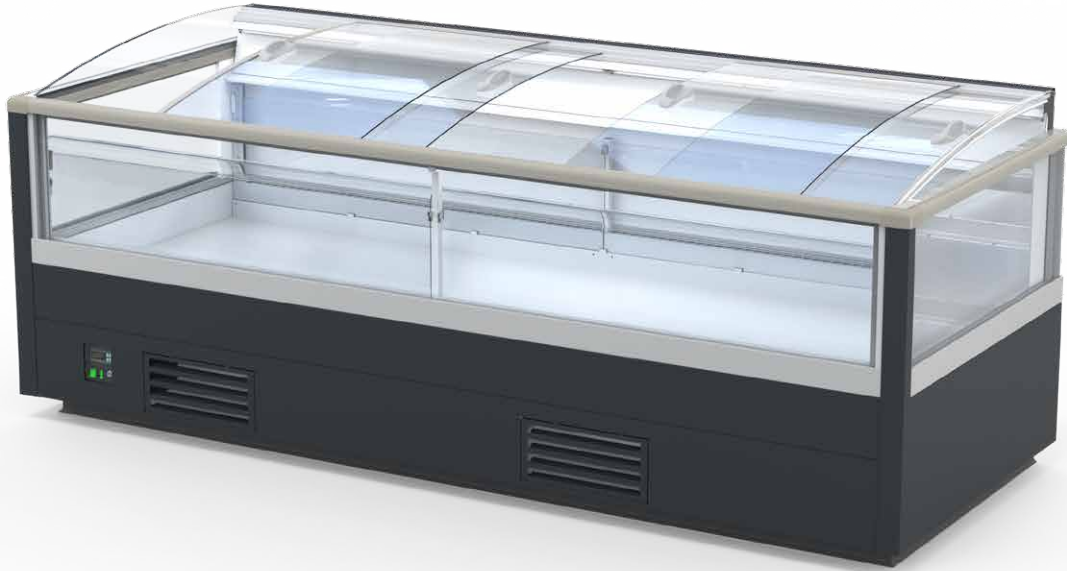
- working temperature: from -25°C to -21°C
- hot gas defrosting
- automatic evaporation of condensate
- electronic controller with temperature indicator
- exposition: zinc-plated steel, powder coated in white (RAL 9003)
- thermopane glass
- color of the base black (RAL 9005)
- sidewalls integrated

OPTIONS

- sidewalls
- LEDit lighting

CCS – cover | single, curved | sliding (sideways)





STANDARD FEATURES

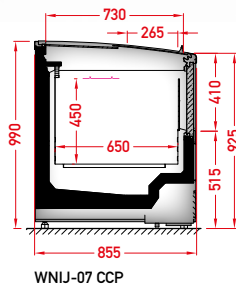
- working temperature: from -25°C to -21°C
- hot gas defrosting
- automatic evaporation of condensate
- electronic controller with temperature indicator
- exposition: zinc-plated steel, powder coated in white (RAL 9003)
- thermopane glass
- color of the base black (RAL 9005)
- in module 2150G sidewalls integrated

OPTIONS

- sidewalls
- LEDit lighting

CCS – cover | single, curved | sliding (sideways)





STANDARD FEATURES

- working temperature: from -25°C to -21°C
- hot gas defrosting
- automatic evaporation of condensate
- electronic controller with temperature indicator
- exposition: zinc-plated steel, powder coated in white (RAL 9003)
- thermopane glass
- color of the base black (RAL 9005)
- full sidewalls integrated

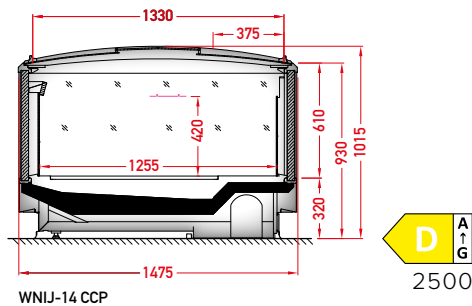
OPTIONS

- LEDit lighting

CCP – cover | single, curved | sliding (slide-up/push)

AVAILABLE MODULES **CCP** 1850 2100 2500
 1850G





STANDARD FEATURES

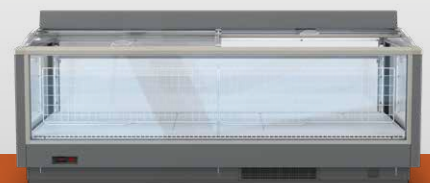
- working temperature: from -25°C to -21°C
- electrical defrosting
- automatic evaporation of condensate
- electronic controller with temperature indicator

- exposition: zinc-plated steel, powder coated in white (RAL 9003)
- thermopane glass
- color of the base black (RAL 9005)

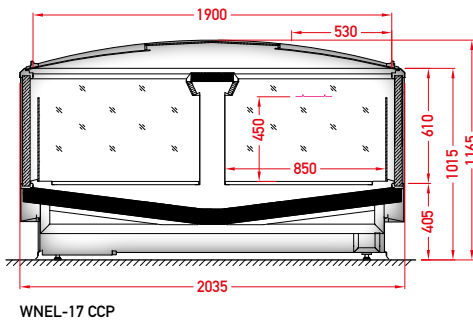
OPTIONS

- sidewalls
- LEDit lighting

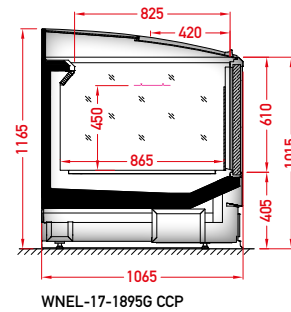
CCP – cover | single, curved | sliding (slide-up/push)



AVAILABLE MODULES **CCP** 1875 2500 3750
 1335G



D A ↑ G



E A ↑ G

STANDARD FEATURES

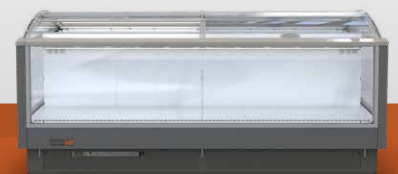
- working temperature: from -25°C to -21°C
- defrosting: electrical, hot gas for 1895G
- automatic evaporation of condensate
- electronic controller with temperature indicator
- exposition: zinc-plated steel, powder coated in white (RAL 9003)
- thermopane glass
- color of the base black (RAL 9005)
- WNEL-17-1895G sidewalls integrated

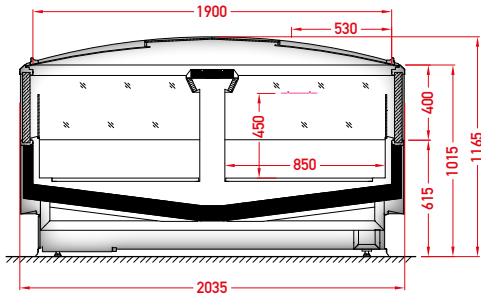
OPTIONS

- sidewalls
- LEDit lighting

CCP – cover | single, curved | sliding (slide-up/push)

AVAILABLE MODULES **CCP** 2500 3750
 1895G

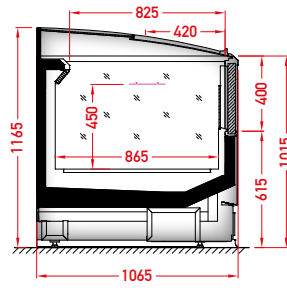




WNEL-27 CCP



2500



WNEL-27-1895G CCP



1895G

STANDARD FEATURES

- working temperature: from -25°C to -21°C
- defrosting: electrical, hot gas for 1895G
- automatic evaporation of condensate
- electronic controller with temperature indicator
- exposition: zinc-plated steel, powder coated in white (RAL 9003)
- thermopane glass
- color of the base black (RAL 9005)
- WNEL-17-1895G sidewalls integrated

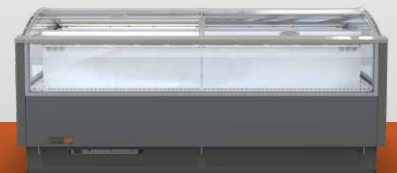
OPTIONS

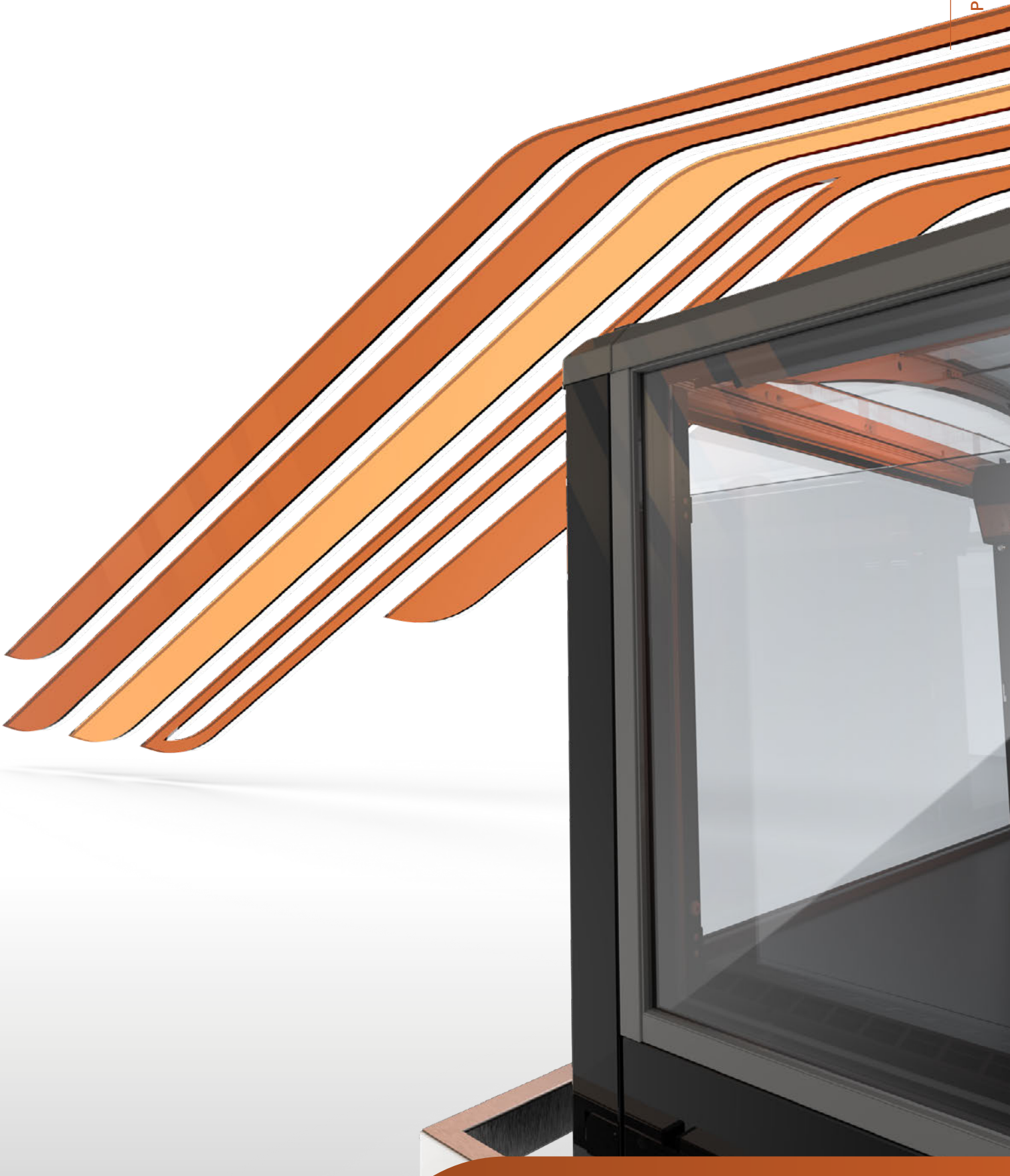
- sidewalls
- LEDit lighting

CCP – cover | single, curved | sliding (slide-up/push)

AVAILABLE MODULES

CCP 2500 3750
 1895G





JBG2

CABINETS

PLUG-IN





LES SURGELÉS

It is typically people with busy lifestyles who are shopping for frozen products. Good arrangement of a store can save a lot of time while shopping. That is why design of our cabinets is about good visibility and ergonomics. Easy to choose – easy to reach.

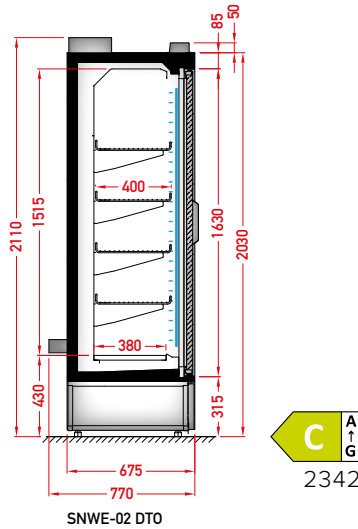
Designed for natural (hydrocarbons) refrigerants
GLOBAL WARMING POTENTIAL (AR4)


R290


R600a

3

3



STANDARD FEATURES

- working temperature: from -25°C to -21°C
- electrical defrosting
- automatic evaporation of condensate
- electronic controller with temperature indicator
- exposition: zinc-plated steel, powder coated in white (RAL 9003)
- 4 rows of suspended shelves, on shelves and on air inlet price holders 39 mm
- lighting: vertical LEDit
- framed doors without heaters

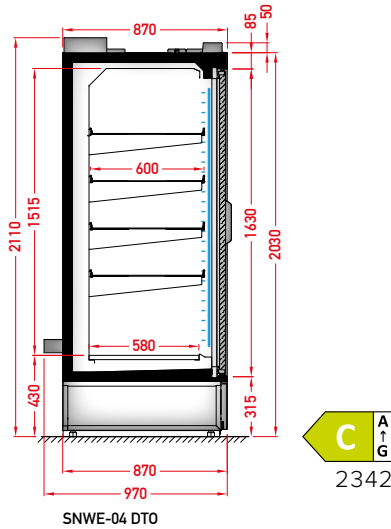
OPTIONS

- sidewalls



DTO – door | triple straight | hinged

AVAILABLE MODULES **DTO** 0795 1564 2342



STANDARD FEATURES

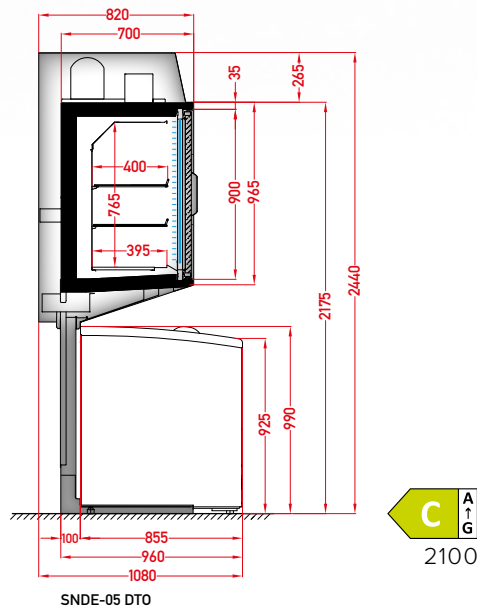
- working temperature: from -25°C to -21°C
- electrical defrosting
- automatic evaporation of condensate
- electronic controller with temperature indicator
- exposition: zinc-plated steel, powder coated in white (RAL 9003)
- 4 rows of suspended shelves, on shelves and on air inlet price holders 39 mm
- lighting: vertical LEDit
- framed doors without heaters

OPTIONS

- sidewalls



DTO – door | triple straight | hinged

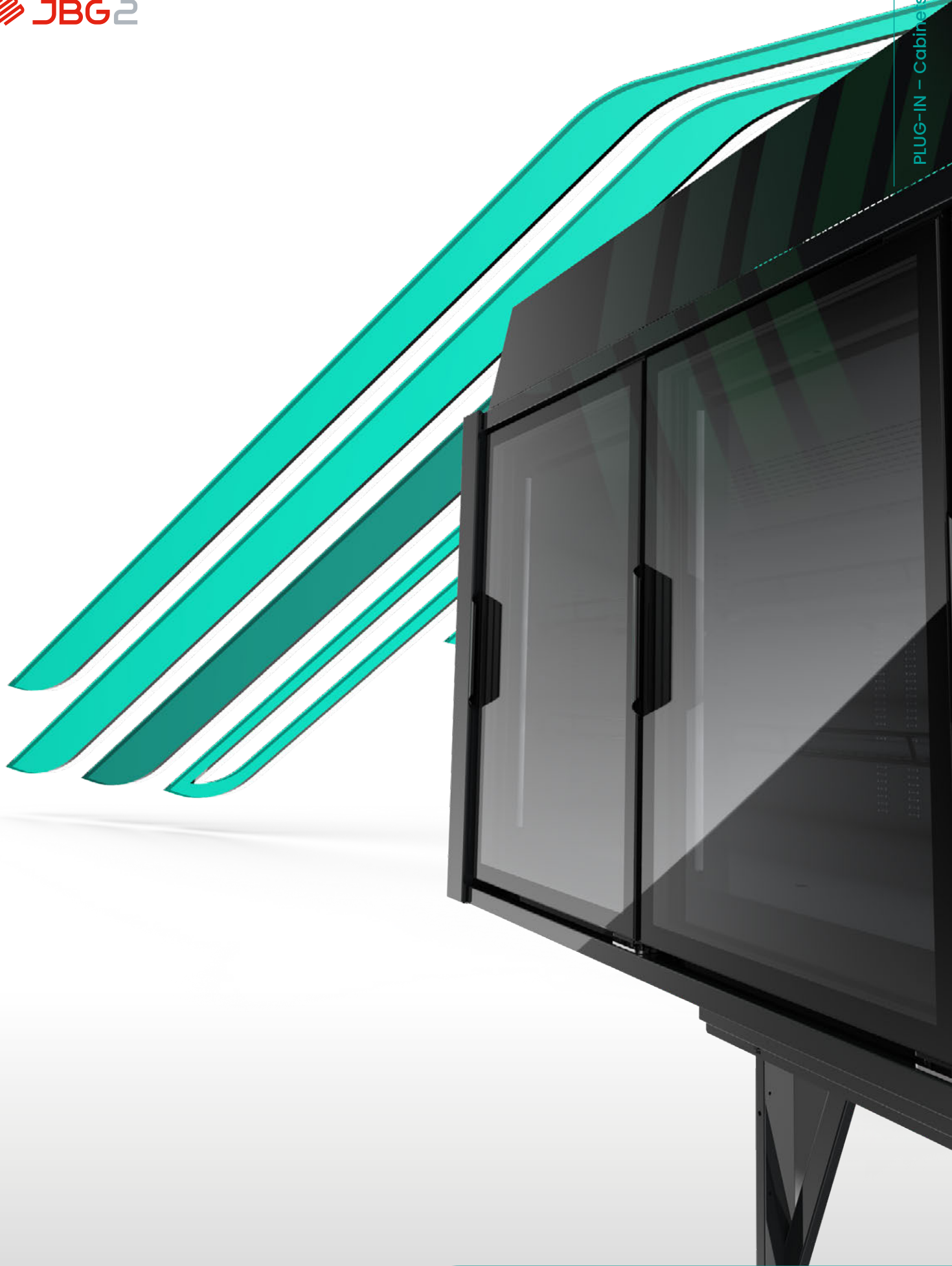


STANDARD FEATURES

- working temperature: from -25°C to -21°C
- electrical defrosting
- automatic evaporation of condensate
- electronic controller with temperature indicator
- exposition: zinc-plated steel, powder coated in white (RAL 9003)
- 2 rows of suspended shelves, on shelves and on air inlet price holders 39 mm
- lighting: vertical LEDit
- framed doors without heaters
- sidewalls integrated

DTO – door | triple straight | hinged





PROMOTION

PLUG-IN



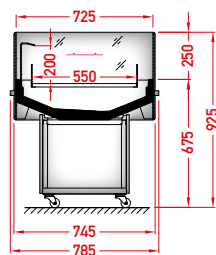


Promotional equipment places your products within arm's reach. They are designed to improve impulse purchase, combining small size with huge selling power. Good product display, high mobility and clever design of equipment, makes promotions more effective.

Designed for natural (hydrocarbons) refrigerants

GLOBAL WARMING POTENTIAL (AR4)

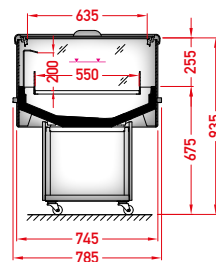




LDFI-13 BSA



0900



LDFI-13 CSS



0900

STANDARD FEATURES

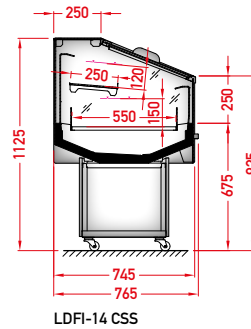
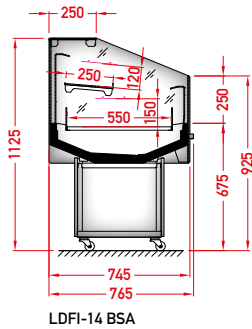
- working temperature: CSS from 0°C to 2°C; BSA from 2°C to 4°C
- electrical defrosting
- automatic evaporation of condensate
- electronic controller with temperature indicator
- exposition: zinc-plated steel, powder coated in white (RAL 9003)
- inox square bumper 25 x 25 mm
- color of the base black (RAL 9005)
- sidewalls glass with black/ grey silk screen painting
- on wheels

BSA – front glass riser | single, straight | fixed
CSS – cover | single, straight | sliding (sideways)



AVAILABLE MODULES

BSA	0700	0900
CSS	0700	0900



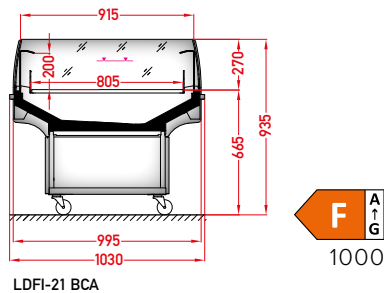
STANDARD FEATURES

- working temperature: from 2°C to 4°C for BSA, from 0°C to 2°C for CSS
- electrical defrosting
- automatic evaporation of condensate
- electronic controller with temperature indicator
- exposition: zinc-plated steel, powder coated in white (RAL 9003)
- inox square bumper 25 x 25 mm
- color of the base black (RAL 9005)
- sidewalls glass with black/ grey silk screen painting
- on wheels

BSA – front glass riser | single, straight | fixed
CSS – cover | single, straight | sliding (sideways)



AVAILABLE MODULES	BSA	0700	0900
	CSS	0700	0900



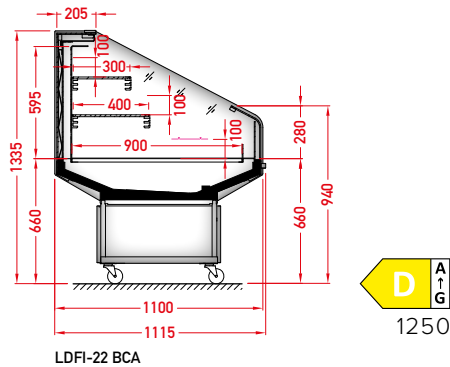
STANDARD FEATURES

- working temperature: from 0°C to 2°C
- electrical defrosting
- automatic evaporation of condensate
- electronic controller with temperature indicator
- exposition: zinc-plated steel, powder coated in white (RAL 9003)
- inox square bumper 25 x 25 mm
- color of the base black (RAL 9005)
- sidewalls glass with black/ grey silk screen painting
- on wheels

BCA – front glass riser | single, curved | fixed



AVAILABLE MODULES **BCA** 1000

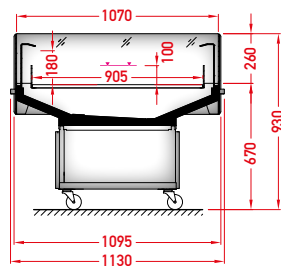


STANDARD FEATURES

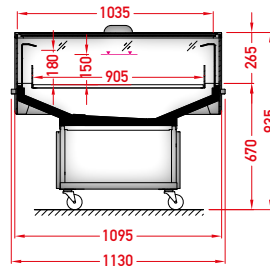
- working temperature: from 2°C to 4°C
- electrical defrosting
- automatic evaporation of condensate
- electronic controller with temperature indicator
- exposition: zinc-plated steel, powder coated in white (RAL 9003)
- 2 glass shelves
- inox square bumper 25 x 25 mm
- color of the base black (RAL 9005)
- sidewalls, back and air flow channels made of perspex
- on wheels

BCA – front glass riser | single, curved | fixed





LDFI-25 BSA



LDFI-25 CSS

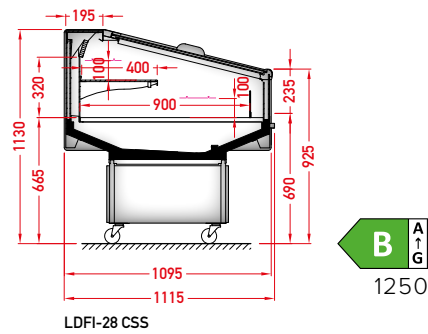
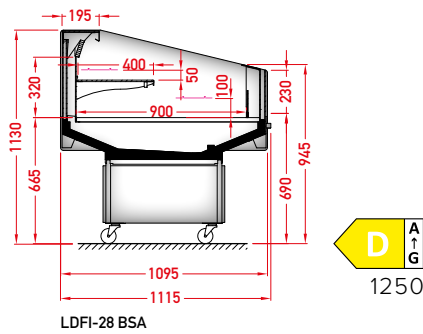
STANDARD FEATURES

- working temperature: from 0°C to 2°C
- electrical defrosting
- automatic evaporation of condensate
- electronic controller with temperature indicator
- exposition: zinc-plated steel, powder coated in white (RAL 9003)
- inox square bumper 25 x 25 mm
- color of the base black (RAL 9005)
- sidewalls: integrated glass with black/grey silk screen painting
- on wheels

BSA – front glass riser | single, straight | fixed
CSS – cover | single, straight | sliding (sideways)



AVAILABLE MODULES	BSA	1000	1250	1600
	CSS	1000	1250	1600



STANDARD FEATURES

- working temperature: from 0°C to 2°C
- electrical defrosting
- automatic evaporation of condensate
- electronic controller with temperature indicator
- exposition: zinc-plated steel, powder coated in white (RAL 9003)
- inox square bumper 25 x 25 mm
- color of the base black (RAL 9005)
- sidewalls glass with black/ grey silk screen painting
- on wheels

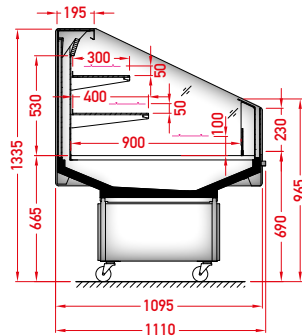
OPTIONS

- LEDit lighting
- manual night blind for BSA



BSA – front glass riser | single, straight | fixed
CSS – cover | single, straight | sliding (sideways)

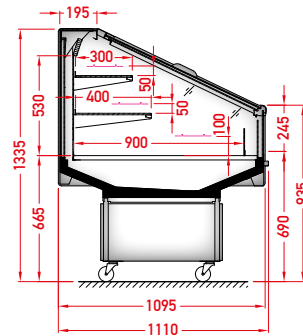
AVAILABLE MODULES	BSA	1250	1600
	CSS	1250	1600



LDFI-29 BSA



1600



LDFI-29 CSS



1600

STANDARD FEATURES

- working temperature: from 0°C to 2°C for CSS, from 2°C to 4°C for BSA
- electrical defrosting
- automatic evaporation of condensate
- electronic controller with temperature indicator
- exposition: zinc-plated steel, powder coated in white (RAL 9003)
- inox square bumper 25 x 25 mm
- color of the base black (RAL 9005)
- sidewalls glass with black/ grey silk screen painting
- on wheels

OPTIONS

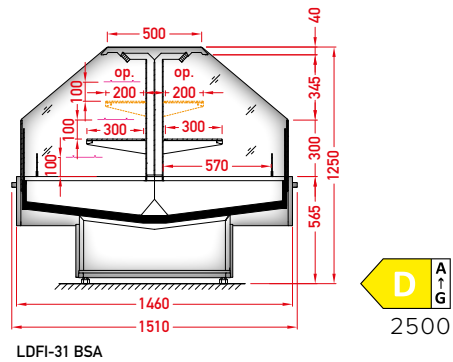
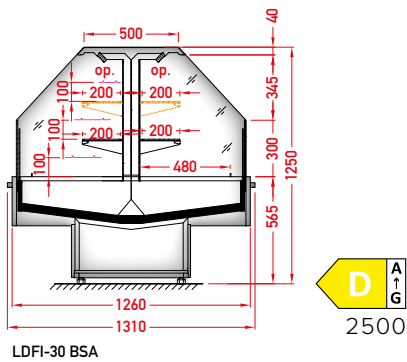
- LEDit lighting
- manual night blind for BSA

BSA – front glass riser | single, straight | fixed
 CSS – cover | single, straight | sliding (sideways)



AVAILABLE MODULES

BSA	1250	1600
CSS	1250	1600



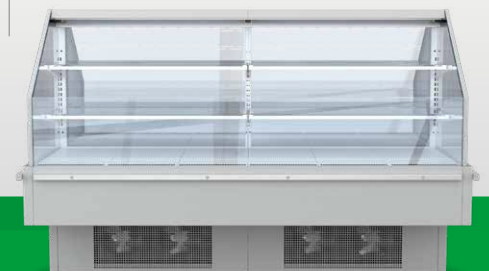
STANDARD FEATURES

- double devices (two evaporators)
- working temperature: from 2°C to 4°C
- electrical defrosting
- automatic evaporation of condensate
- electronic controller with temperature indicator
- exposition: zinc-plated steel, powder coated in white (RAL 9003)
- 1 row of shelves
- inox square bumper 25 x 25 mm
- color of the base black (RAL 9005)
- sidewalls glass

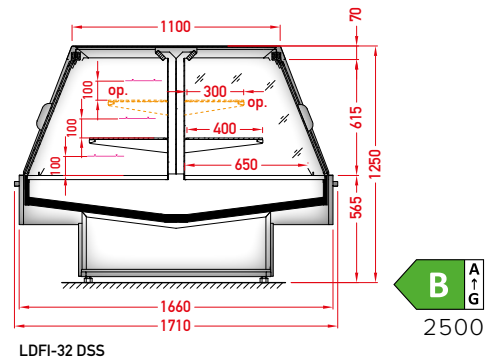
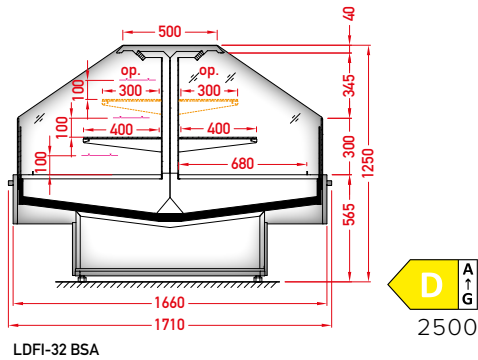
OPTIONS

- LEDit lighting
- manual night blind for BSA

BSA – front glass riser | single, straight | fixed



AVAILABLE MODULES **BSA** 1250 1875 2500



STANDARD FEATURES

- double devices (two evaporators)
- working temperature: DSS from 0°C to 2°C, BSA from 2°C to 4°C,
- electrical defrosting
- automatic evaporation of condensate
- electronic controller with temperature indicator
- exposition: zinc-plated steel, powder coated in white (RAL 9003)
- 1 row of shelves
- inox square bumper 25 x 25 mm
- color of the base black (RAL 9005)
- sidewalls glass

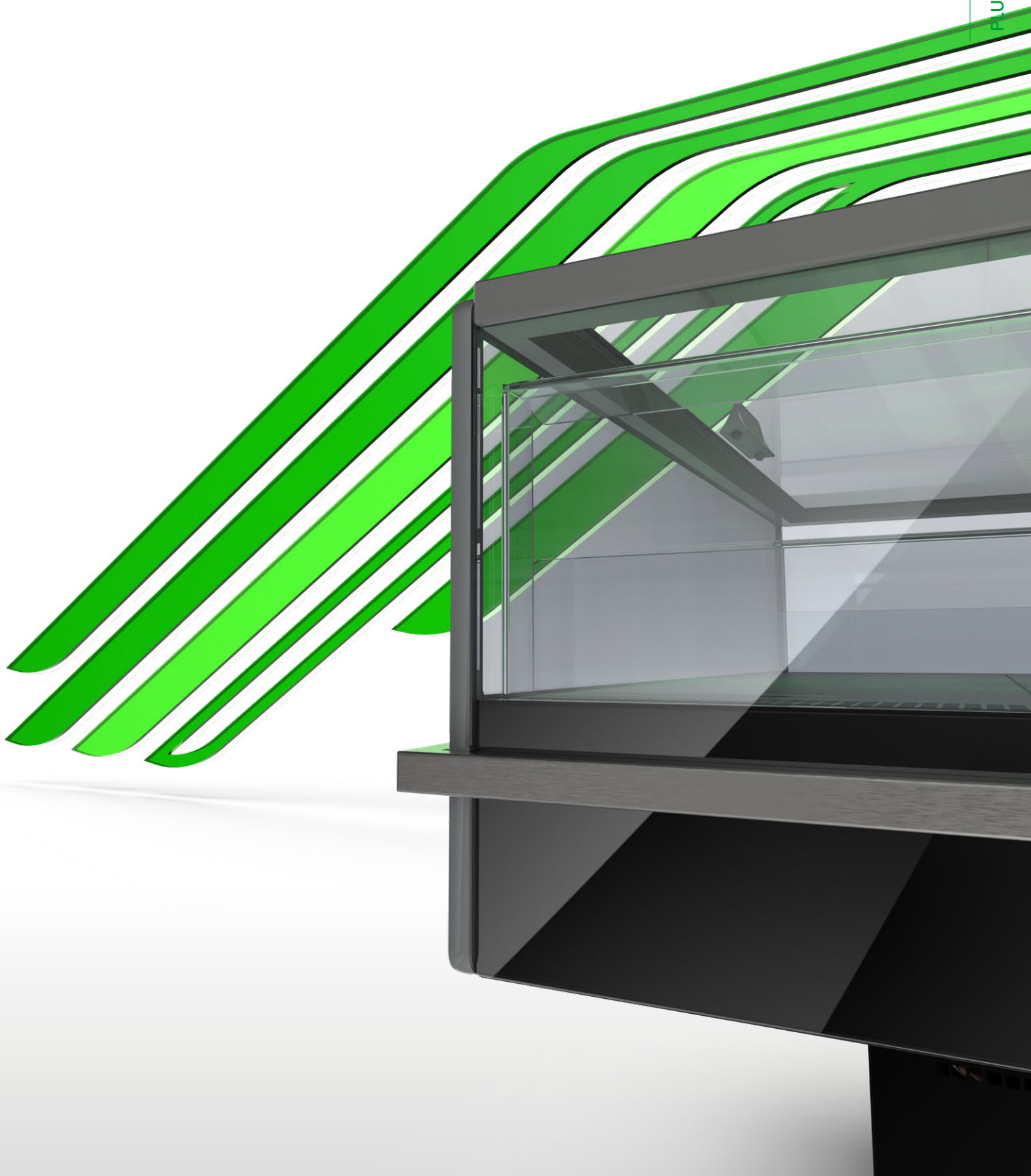
OPTIONS

- LEDit lighting
- manual night blind for BSA

BSA – front glass riser | single, straight | fixed
 DSS – door | single, straight | sliding (sideways)



AVAILABLE MODULES	BSA	1250	1875	2500
	DDS	1250	1875	2500
		1660G		
		1660G		



PASTRY LINE

PLUG-IN

Backwaren





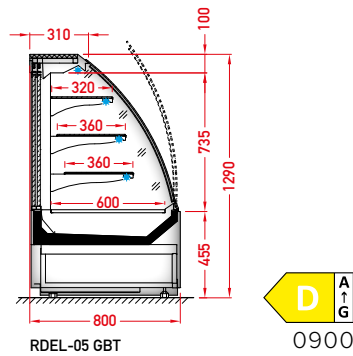
Celebrating special occasions. Birthday cake for your toddler. Sweet surprise for your sweetheart. Christmas cake, glazed gingerbreads, treats for special moments. Display of these special goods must be perfect. That's why our pastry line is an elegant combination of perfect lighting, transparent clear glass and elegant design.

**Designed for natural
(hydrocarbons) refrigerants**



**GLOBAL WARMING
POTENTIAL (AR4)**



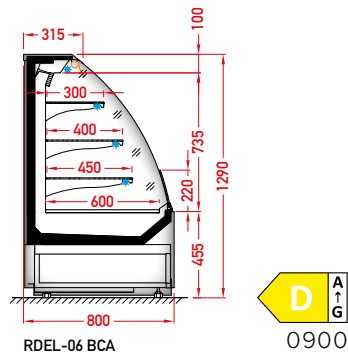


STANDARD FEATURES

- working temperature – straight modules from 0°C to 2°C; corner NW45 from 2°C to 4°C; corner NZ45 from 4°C to 8°C
- electrical defrosting
- automatic evaporation of condensate
- electronic controller with temperature indicator
- exposition: 3 suspended glass shelves + bottom made of powder coated, zinc-coated metal plate
- shelves support and bottom shelf in grey color RAL 7004
- back doors, sliding, double glazed (in corner and 0600 modules hinged door)
- lighting – top and each shelf –LEDit
- sidewalls integrated with thermopane glass, with silk-screen painting

GBT – glass | double, bent | tilt



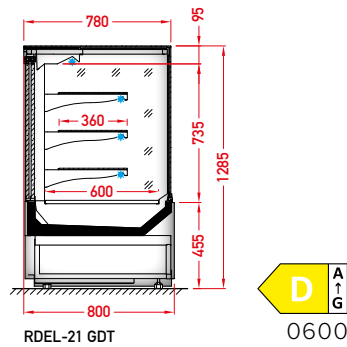


STANDARD FEATURES

- working temperature: from 2°C to 4°C
- electrical defrosting
- automatic evaporation of condensate
- electronic controller with temperature indicator
- exposition: 3 suspended glass shelves + bottom made of powder coated, zinc-coated metal plate
- shelves support and bottom shelf in grey color RAL 7004
- lighting – top and each shelf –LEDit
- sidewalls integrated with thermopane glass, with silk-screen painting
- mechanical night blind

BCA – front glass riser | single, curved | fixed



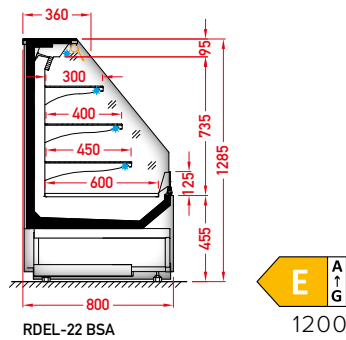


STANDARD FEATURES

- working temperature – straight modules from 2°C to 4°C; corner NZ45 from 2°C to 4°C; corner NZ90 from 4°C to 8°C;
- electrical defrosting
- automatic evaporation of condensate
- electronic controller with temperature indicator
- exposition: 3 suspended glass shelves + bottom made of powder coated, zinc-coated metal plate
- shelves support and bottom shelf in grey color RAL 7004
- back doors, sliding, double glazed (in corner and 0600 modules hinged door)
- lighting – top and each shelf –LEDit
- sidewalls integrated with thermopane glass, with silk-screen painting

GDT – glass | double, straight | tilt



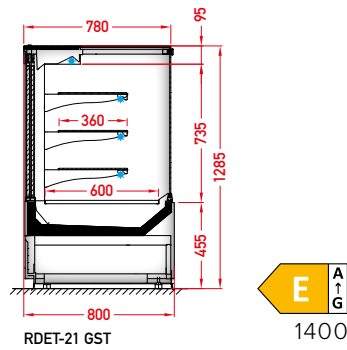


STANDARD FEATURES

- working temperature: from 2°C to 4°C
- electrical defrosting
- automatic evaporation of condensate
- electronic controller with temperature indicator
- exposition: 3 suspended glass shelves + bottom made of powder coated, zinc-coated metal plate
- shelves support and bottom shelf in grey color RAL 7004
- lighting – top and each shelf –LEDit
- sidewalls integrated with thermopane glass, with silk-screen painting
- mechanical night blind

BSA – front glass riser | single, straight | fixed





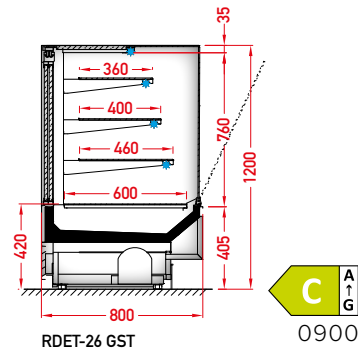
STANDARD FEATURES

- working temperature: from 4°C to 8°C
- electrical defrosting
- automatic evaporation of condensate
- electronic controller with temperature indicator
- exposition: 3 suspended glass shelves + bottom made of powder coated, zinc-coated metal plate
- shelves support and bottom shelf in grey color RAL 7004
- back doors, sliding, double glazed
- lighting – top and each shelf –LEDit
- sidewalls integrated glass, with silk-screen painting

GST – glass | single, straight | tilt



AVAILABLE MODULES **GST** 0900 1400



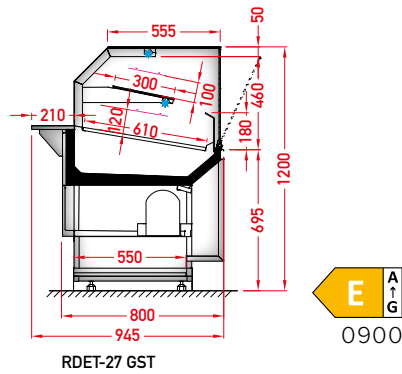
STANDARD FEATURES

- working temperature: from 4°C to 8°C
- natural defrosting
- automatic evaporation of condensate
- electronic controller with temperature indicator
- exposition: 3 suspended glass shelves + bottom made of powder coated, zinc-coated metal plate
- shelves support and bottom shelf in black color RAL 9005
- back doors, sliding, double glazed
- lighting – top and each shelf –LEDit
- sidewalls integrated glass, with silk-screen painting RAL 9005
- Custom-Built shocase

GST – glass | single, straight | tilt

AVAILABLE MODULES GST 0900 1300





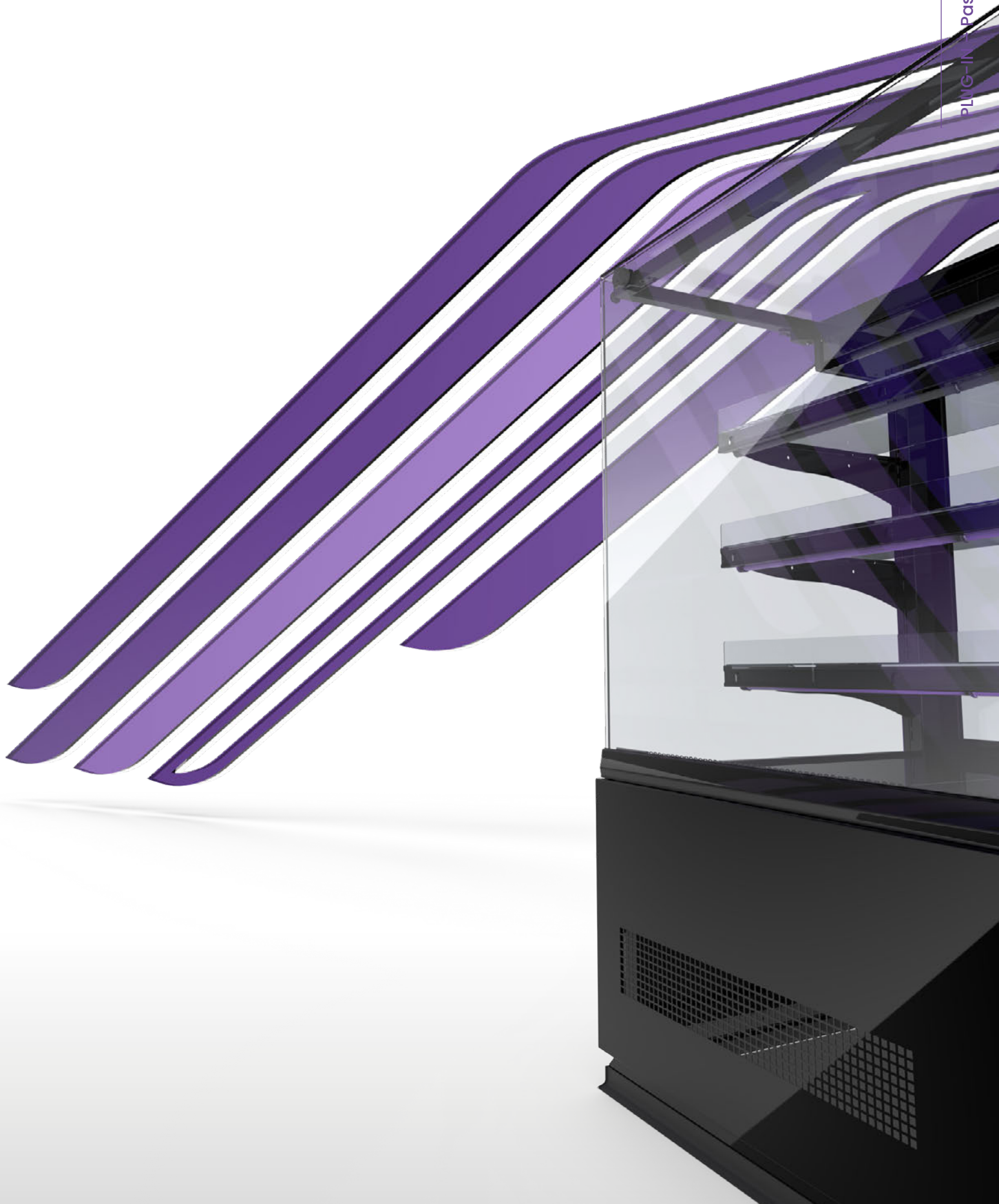
STANDARD FEATURES

- working temperature: from 4°C to 8°C
- natural defrosting
- automatic evaporation of condensate
- electronic controller with temperature indicator
- exposition: 1 suspended glass shelf + bottom made of powder coated, zinc-coated metal plate
- shelves support and bottom shelf in black color RAL 9005
- back doors, sliding, double glazed
- lighting – top and each shelf –LEDit
- sidewalls integrated glass, with silk-screen painting RAL9005
- Custom-Built shocase

GST – glass | single, straight | tilt

AVAILABLE MODULES GST 0900 1300





COUNTERS

PLUG-IN



Le côté traditionnel



Fruits secs

FRUITS SECS

BRIOCHES

VIENNOISERI

We focus not only on the display of the product, but also ergonomic and multifunctional use. We have created better conditions for product storage, easier cleaning and flexibility in changing the product from with service to self-service.

**Designed for natural
(hydrocarbons) refrigerants**


R290

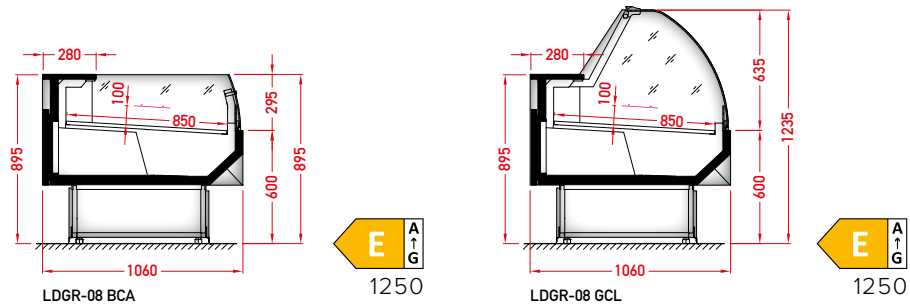
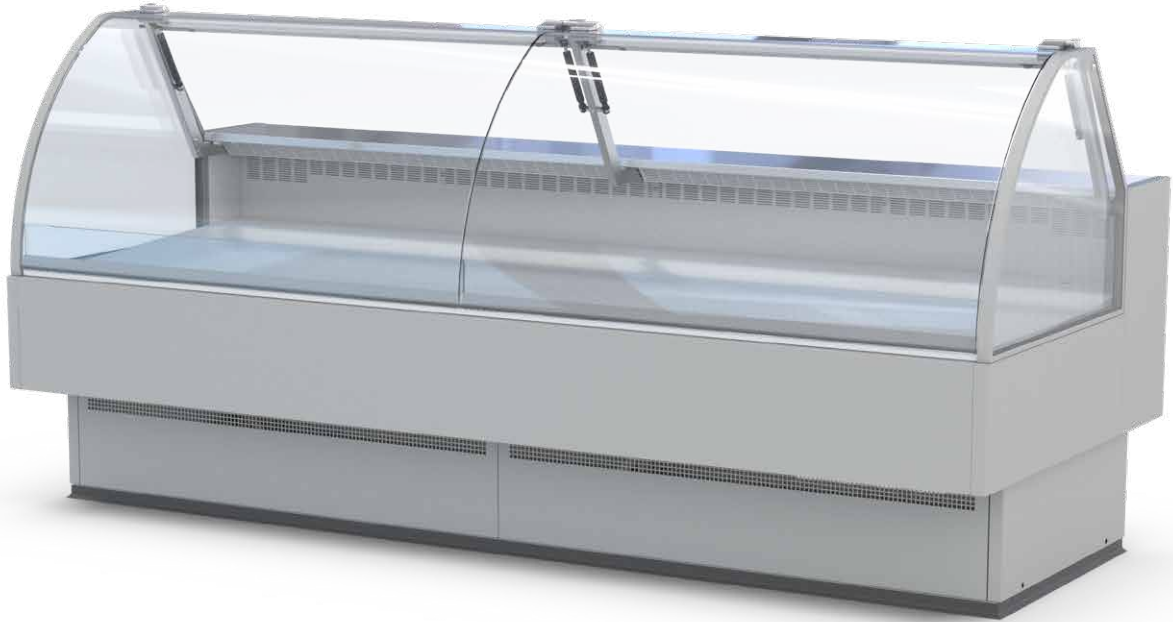

R600a

**GLOBAL WARMING
POTENTIAL (AR4)**

3

3





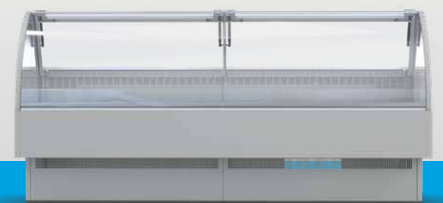
STANDARD FEATURES

- working temperature: from 0°C to 2°C
- electrical defrosting
- automatic evaporation of condensate
- electronic controller with temperature indicator
- back doors – quantity according to the module
- exposition: zinc-plated steel, powder coated in white (RAL 9003)
- storage: steel coated in grey
- worktop: linen stainless steel
- color of the base black (RAL 9005)
- perspex covers – 1250, 1875, 2500, 3750

OPTIONS

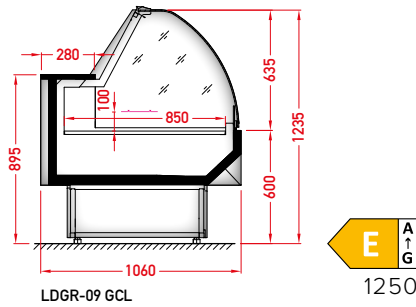
- sidewalls
- LEDit lighting (GCL)
- PVC floor profiles
- bumper

BCA – front glass riser | single, curved | fixed
GCL – glass | single, curved | lift up



AVAILABLE MODULES

BCA	1250	1875	2500	3750
	NW45	NZ45		
GCL	1250	1875	2500	3750
	NW45	NZ45		



STANDARD FEATURES

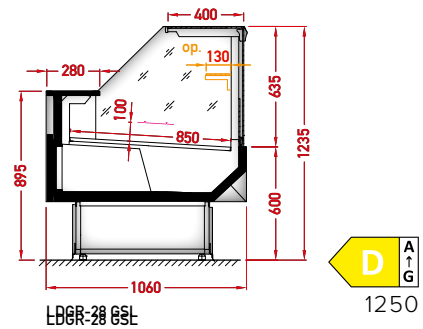
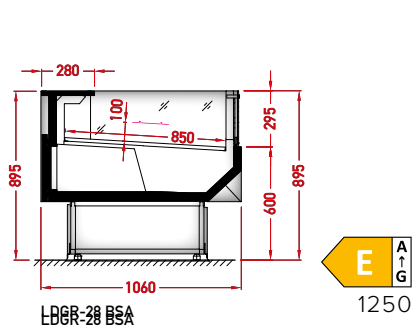
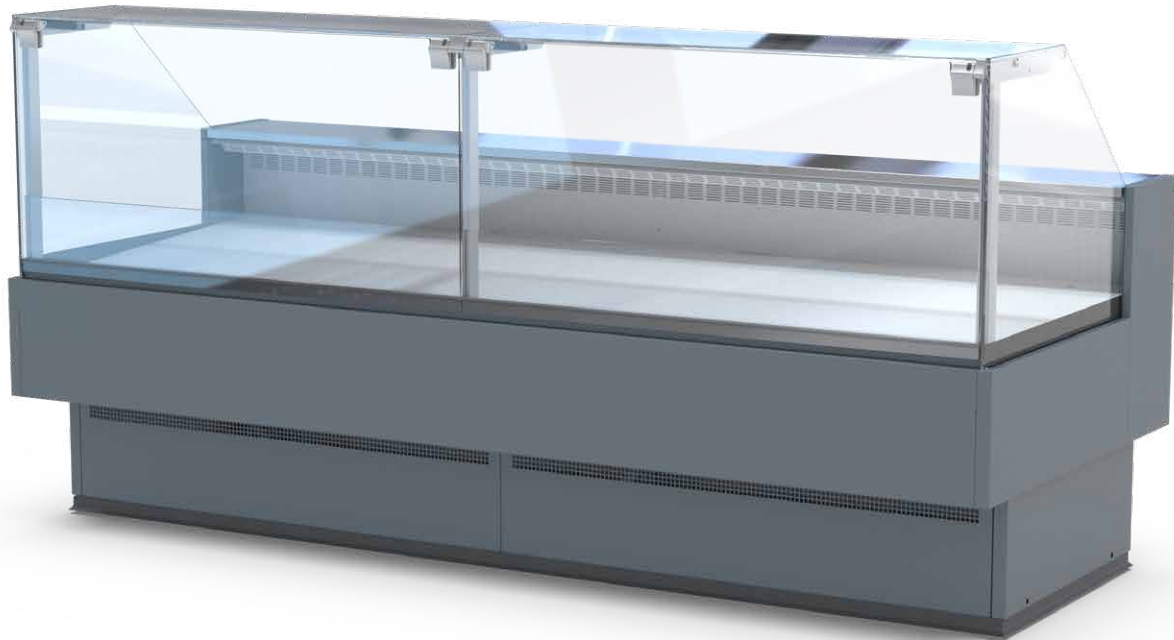
- working temperature: from 0°C to 2°C
- electrical defrosting
- automatic evaporation of condensate
- electronic controller with temperature indicator
- exposition: zinc-plated steel, powder coated in white (RAL 9003)
- worktop: linen stainless steel
- color of the base black (RAL 9005)
- perspex covers – 1250, 1875, 2500, 3750

OPTIONS

- sidewalls
- LEDit lighting
- PVC floor profiles
- bumper

GCL – glass | single, curved | lift up





STANDARD FEATURES

- working temperature: 0°C to 2°C
- electrical defrosting
- automatic evaporation of condensate
- electronic controller with temperature indicator
- back doors – quantity according to the module
- exposition: zinc-plated steel, powder coated in white (RAL 9003)
- storage: steel coated in grey
- worktop: linen stainless steel
- color of the base black (RAL 9005)
- perspex covers – 1250, 1875, 2500, 3750

OPTIONS

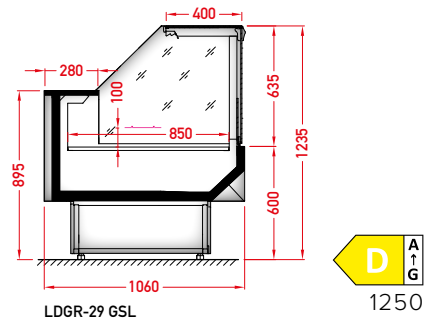
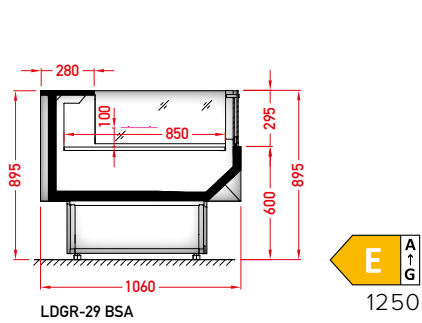
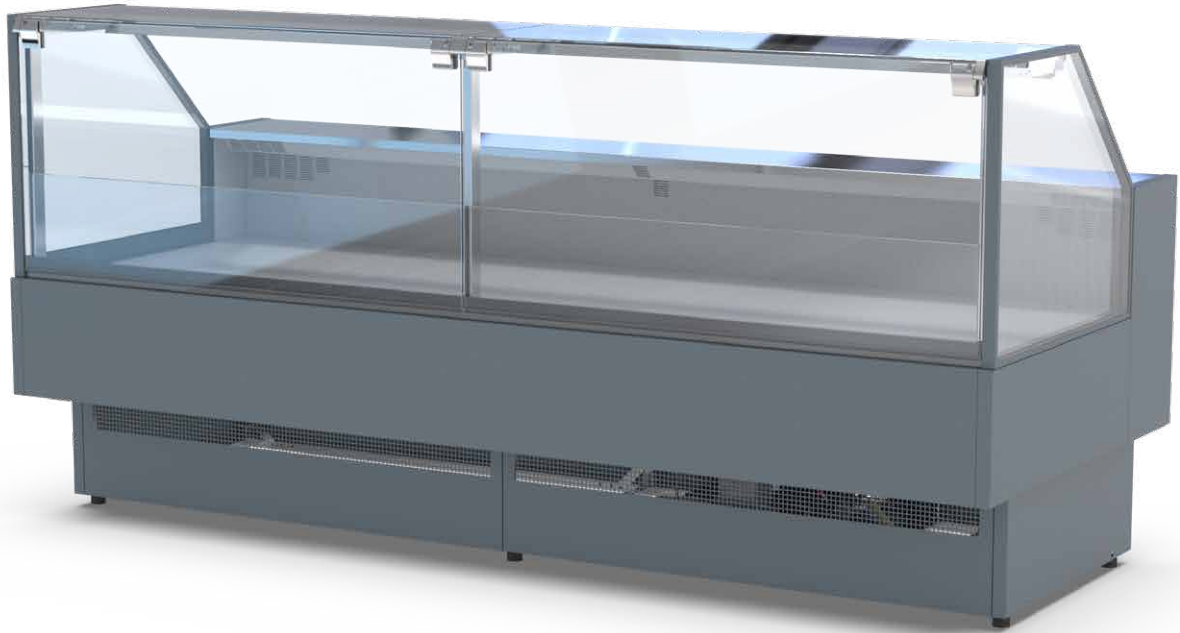
- sidewalls
- LEDit lighting (GSL)
- PVC floor profiles
- bumper

BSA – front glass riser | single, straight | fixed
GSL – glass | single, straight | lift up



AVAILABLE MODULES

BSA	1250	1875	2500	3750
	NW45	NZ45		
GSL	1250	1875	2500	3750
	NW45	NZ45	NZ90	



STANDARD FEATURES

- working temperature: from 0°C to 2°C
- electrical defrosting
- automatic evaporation of condensate
- electronic controller with temperature indicator
- exposition: zinc-plated steel, powder coated in white (RAL 9003)
- worktop: linen stainless steel
- color of the base black (RAL 9005)
- perspex covers– 1250, 1875, 2500, 3750

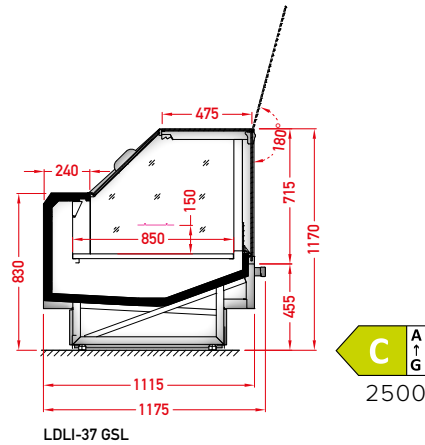
OPTIONS

- sidewalls
- LEDit lighting (GSL)
- PVC floor profiles
- bumper

BSA – front glass riser | single, straight | fixed
GSL – glass | single, straight | lift up

AVAILABLE MODULES	BSA	1250	1875	2500	3750
	GSL	NW45	NZ45	2500	3750
		NW45	NZ45	NZ90	





STANDARD FEATURES

- working temperature: from 0°C to 2°C
- natural defrosting
- automatic evaporation of condensate
- electronic controller with temperature indicator
- exposition: zinc-plated steel, powder coated in white (RAL 9003)
- worktop: linen stainless steel
- perspex covers – 1250, 1875, 2500, 3750

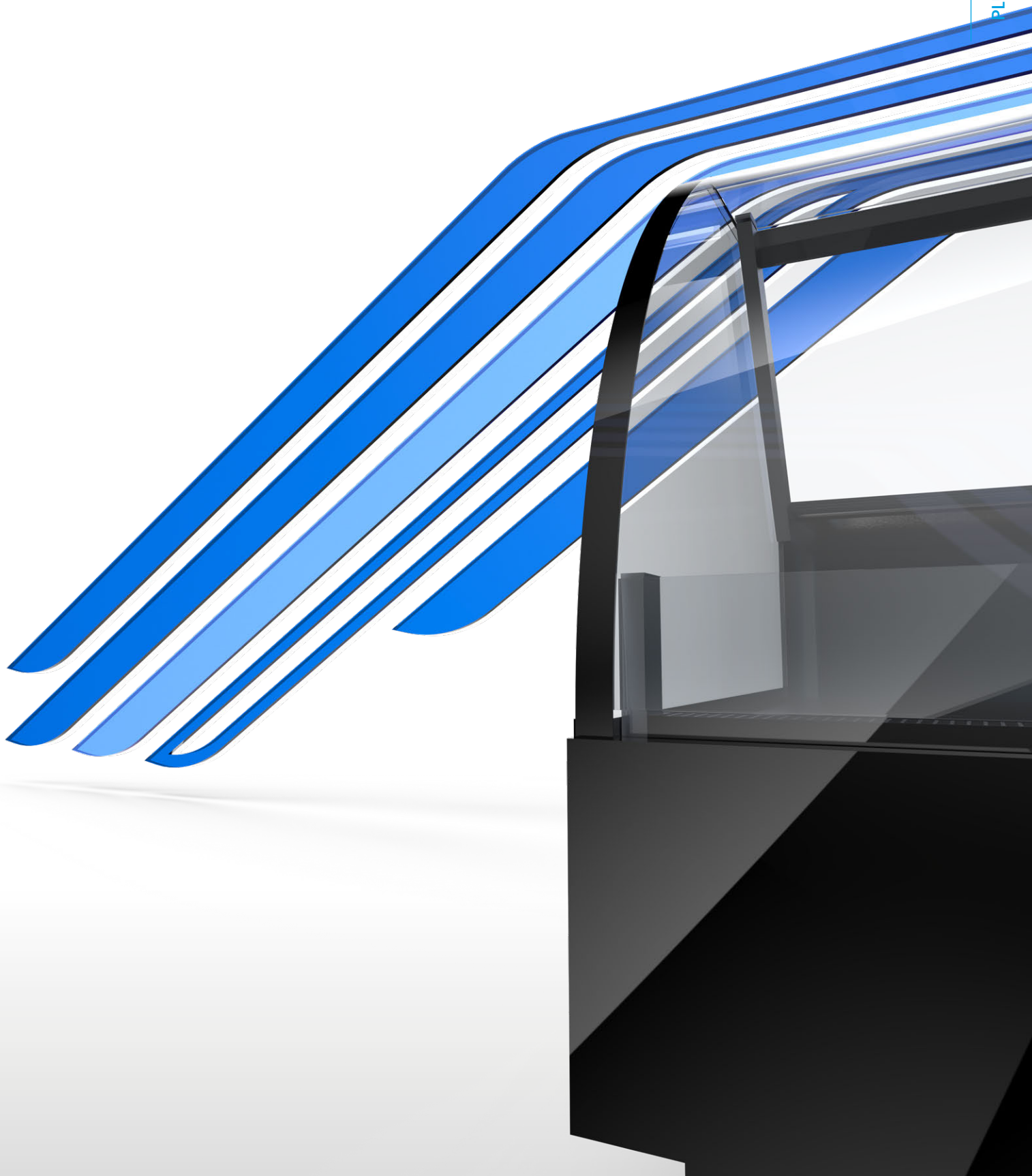
OPTIONS

- sidewalls
- LEDit lighting
- PVC floor profiles
- bumper

GSL – glass | single, straight | lift up










AVAILABLE MODULES **GSL** 1250 1875 2500 3750



Energy efficiency classes

The energy efficiency class of a refrigerating appliance with a direct sales function shall be determined on the basis of its EEI as set out in Table.

Energy efficiency classes of refrigerating appliances with a direct sales function.

ENERGY EFFICIENCY CLASS	EEI
 A	$EEI < 10$
 B	$10 \leq EEI < 20$
 C	$20 \leq EEI < 35$
 D	$35 \leq EEI < 50$
 E	$50 \leq EEI < 65$
 F	$65 \leq EEI < 80$
 G	$EEI \geq 80$

Designation of the energy efficiency class is dedicated to a particular products, which are presented on each page of the catalogue. Indicated energy efficiency class depends on a module type, equipment, glassing version and type of a refrigerant. Amendment of each of the said parameters may cause amendment of the energy efficiency class. Contact the manufacturer to acknowledge the energy efficiency class for the product with different parameters to those presented in the catalogue.



Products shown in the catalogue are just examples and do not constitute an offer as such. The manufacturer reserves the right to alter the features and technical specifications of its products. If it is not clearly defined temperature ranges presented in this document are for shop conditions (20C/50RH).



Safety
Regular
Production
Surveillance

www.tuv.com
ID 0000044539



* Poland, Czech Republic

Headquarter / Factory: Warszowice, ul. Gajowa 5, Poland
Factory: Żory, al. Jana Pawła II 46, Poland
Contact: +48 32 494 00 00, info@jbg2.com



jbg2.com