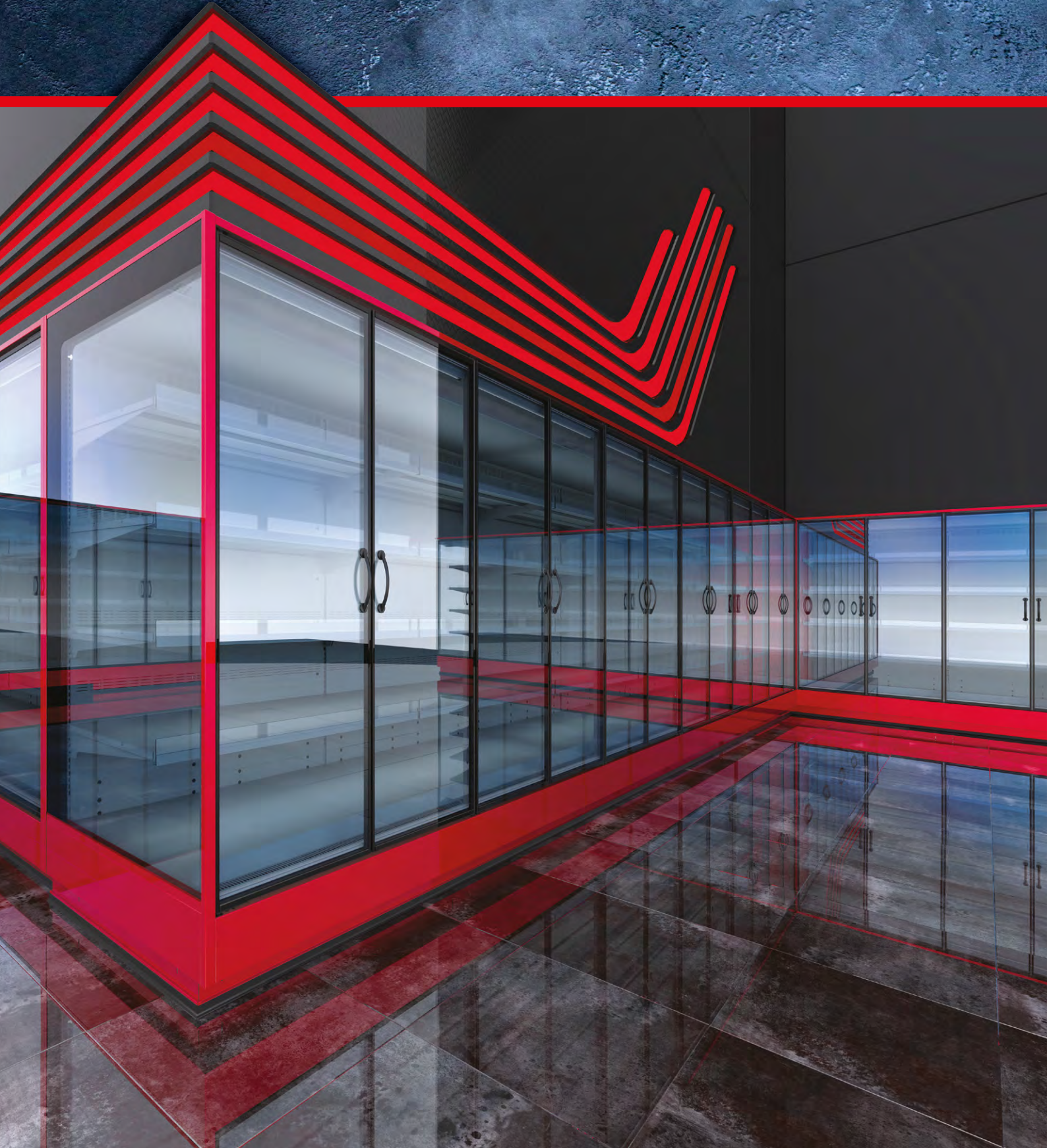




JBG2

CATALOGUE



jbg2.com

MULTIDECKS

Gerlach 2.0 RDGH-H2/H3/H4 DVO	10
Gerlach 2.0 RDGH-H2/H3/H4 XXX	11
Gerlach 2.0 RDGH-L2/L3/L4 DVO	12
Gerlach 2.0 RDGH-L2/L3/L4 XXX	13
Iberg 2.0 RDGH-H1/H2/H4 DVO	14
Iberg 2.0 RDGH-H1/H2 BDA	15
Iberg 2.0 RDGH-L1/L2/L3 DVO	16
Iberg 2.0 RDGH-L1/L2 BDA	17
Kaukaz RDKA-11 DDS DVO XXX	18
Halti RDHA-L4 DVO	19

Semi Vertical MULTIDECKS

Andy RDAD-K3 BFA	22
Andy RDAD-N5 BSA DDS DVO	23
Andy RDAN-29 BSA DDS	24
Andy RDAN-31 BSA	25
Andy RDAN-37 BSA CSS	26
Evans RNEV-17 DTO	27
Evans RNEV-21 DTO	28
Evans RNEV-27 DTO	29

ISLANDS

Everest WNEV-17 CCP CSS	32
Everest WNEV-27 CCP CSS	33
Idea WNIE-04 CCP CSS XXX	34
Idea WNIE-05 CCS	35

CABINETS

Glacier SNGL-H3 DTO	38
Glacier SNGL-L3 DTO	39

COUNTERS

Grazia LDGR-08 BCA GCL	42
Grazia LDGR-09 GCL	43
Grazia LDGR-28 BSA GSL	44
Grazia LDGR-29 BSA GSL	45
Grazia LDGR-30 BSA GSD GSL	46
Lhotse LDLH-12 BSA CSS	47
Lhotse LDLH-37 BSA GSD GSL	48
Lhotse LDLH-46 BCA GCL	49
Lhotse LDLH-47 BCA GCL	50

HOT CASES

Grazia LGGR-28 BSA GSL	54
Grazia LGGR-30 GST	55
Lhotse LGLH-37 GSL	56

MULTIDECKS

Medium RDME-21 BSA DDS DVO	62
Medium RDME-22 BSA DDS DVO	63
Medium RDME-26 BSA DVO	64
Garmo RDGA-L4 DVO	65
Garmo RDGA-L5 DDS DVO	66

SEMI VERTICAL MULTIDECKS

Atlanta RDAT-10 BSA	70
Atlanta RDAT-20 BSA	71
Atlanta RDAL-N5 BSA DDS DVO	72

ISLANDS

Pamir WNPR-04 CSS XXX	76
Pamir W DPR-04 CSS XXX	77
Pamir WNPR-09 CSS	78
Pamir WNPA-10 CSS	79
Pamir WNPA-15 CSS	80
Imja WNIJ-05 CCS	81
Imja WNIJ-06 CCS	82
Imja WNIJ-07 CCP	83
Imja WNIJ-14 CCP	84
Elbrus WNEL-17 CCP	85
Elbrus WNEL-27 CCP	86

CABINETS

Wetar SNWE-02 DTO	90
Wetar SNWE-04 DTO	91
Denali SNDE-05 DTO	92

PROMOTION

Fiji LDFI-13 BSA CSS	96
Fiji LDFI-14 BSA CSS	97
Fiji LDFI-21 BCA	98
Fiji LDFI-22 BCA	99
Fiji LDFI-25 BSA CSS	100
Fiji LDFI-28 BSA CSS	101
Fiji LDFI-29 BSA CSS	102
Fiji LDFI-30/31 BSA	103
Fiji LDFI-32 BSA DDS	104

PASTRY LINE

Elegant RDEL-05 GBT	108
Elegant RDEL-06 BCA	109
Elegant RDEL-21 GDT	110
Elegant RDEL-22 BSA	111
Etna RDET-21 GST	112
Etna RDET-26 GST	113
Etna RDET-27 GST	114

COUNTERS

Grazia LDGR-08 BCA GCL	118
Grazia LDGR-09 GCL	119
Grazia LDGR-28 BSA GSL	120
Grazia LDGR-29 BSA GSL	121
Lingtren LDLI-37 GSL	122



- D - cooling, fan-assisted unit
 - N - freezing, fan-assisted unit
 - M - freezing, static unit
- two letters of the product name

Gerlach 2.0 **RDGH** - **H2** - [module]

name of the product range

- L - counter
- R - multideck
- W - island
- S - cabinet
- M - mix cabinet

identifies the model

module length, head (crown section) or corner

	glazing type	glass type	opening type
BCA	low glass or front glass riser	single, bent	fixed
BFA	front solid raiser	non-transparent	fixed
BSA	low glass or front glass riser	single, straight	fixed
BDA	front glass riser	double, straight	fixed
CCP	cover	single, curved	sliding (slide-up/push)
CCS	door	single, curved	sliding (sideways)
CSS	door	single, straight	sliding (sideways)
DDS	door	double, straight	sliding (sideways)
DSS	door	single, straight	sliding (sideways)

	glazing type	glass type	opening type
DTO	door	triple, straight	hinged
DVO	door	double, straight	hinged
GBT	glass	double, bent	tilt
GCL	glass	single, bent	lift up
GSD	glass	single, straight	divided
GSL	glass	single, straight	lift up
GST	glass	single, straight	tilt
GDT	glass	double, straight	tilt
XXX		no glazing	

ABOUT US

Many years of experience, state-of-the-art production plant and great location are the few of many factors that contribute to JBG-2's success. Hundreds of satisfied customers around the world especially appreciate our creative approach, flexibility and commitment to the successful completion of every project.

Since the very beginning of our activities in 1989 ecology has been our main concern, both at the stage of the production itself and at the subsequent effect of our products on the environment.

For the sake of quality, we carry out tests in our certified laboratories that meet the requirements of ISO 23953-2:2015. Quality management is based on the ISO 9001:2015 standard.

Our team is always ready to go the extra mile to make the cooperation with us successful, satisfying and sustainable.

For over 35 years of our activities, JBG-2 has been awarded with prestigious honor on numerous occasions, for dynamic growth in the refrigeration equipment market.

The NO Defrost system has been valued by the RAC Cooling Awards. We managed to achieve the final stage in 2016 and 2018 in this prestigious competition. Furthermore the energy-efficient solutions have been qualified to the TOP TEN program. In addition, the effort put into improving our devices meant that they got to the prestigious Energy Technology List.



VEGGIE



TEBA



REMOTE

MULTIDECKS

REMOTE





Our desire for continuous improvement and innovation has led us to develop systems and solutions that reduce environmental impact. That is why we have developed a system that eliminates defrost cycle and lowers the energy use.

**Designed for natural
(hydrocarbons) refrigerants**

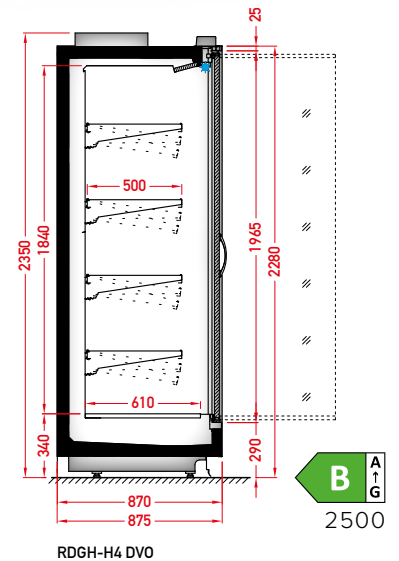
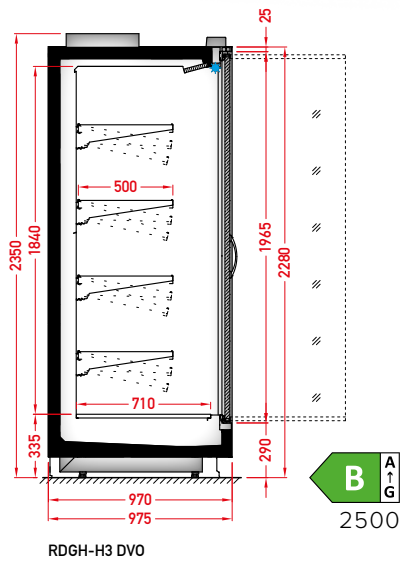
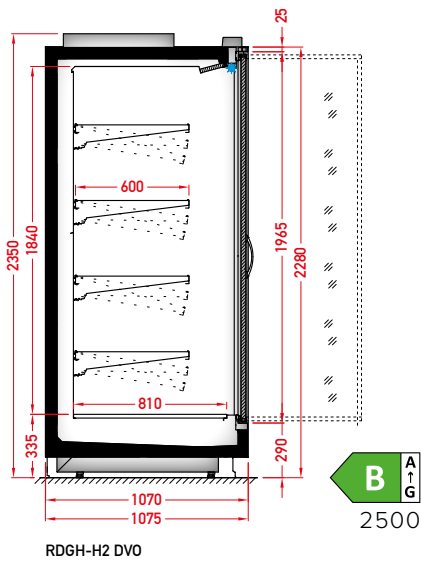


**GLOBAL WARMING
POTENTIAL (AR4)**



Gerlach 2.0

RDGH-H2/H3/H4 | DVO



STANDARD FEATURES

- working temperature: from 0°C to 2°C
- natural defrosting
- 2 x NTC temperature probe
- siphoned condensate drains
- exposition: zinc-plated steel, powder coated in white (RAL 9003)
- 4 rows of suspended shelves, on shelves and on air inlet price holders 39 mm
- lighting – top, LEDit
- color of the base – black (RAL 9005)
- grey PVC bumper on the front of the unit

OPTIONS

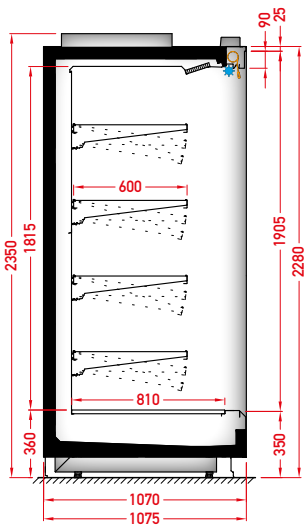
- sidewalls
- vertical LEDit lighting
- underlighting shelves LEDit lighting
- cotroller with electronic expansion valve



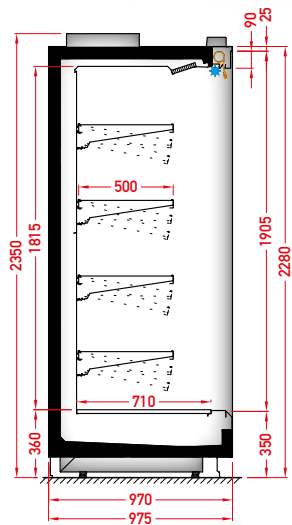
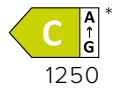
Gerlach 2.0

RDGH-H2/H3/H4 | XXX

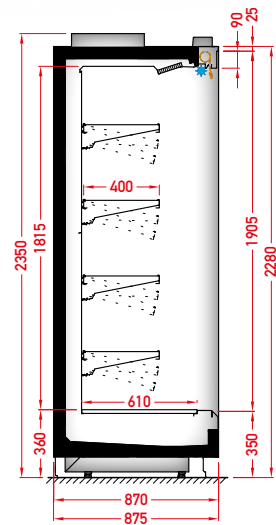
REMOTE – Multidecks



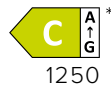
RDGH-H2 XXX



RDGH-H3 XXX



RDGH-H4 XXX



* single module with glass sidewalls

STANDARD FEATURES

- working temperature: from 0°C to 2°C
- natural defrosting
- 2 x NTC temperature probe
- siphoned condensate drains
- exposition: zinc-plated steel, powder coated in white (RAL 9003)
- 4 rows of suspended shelves, on shelves and on air inlet price holders 39 mm
- lighting – top, LEDit
- color of the base – black (RAL 9005)
- grey PVC bumper on the front of the unit
- mechanical night blind

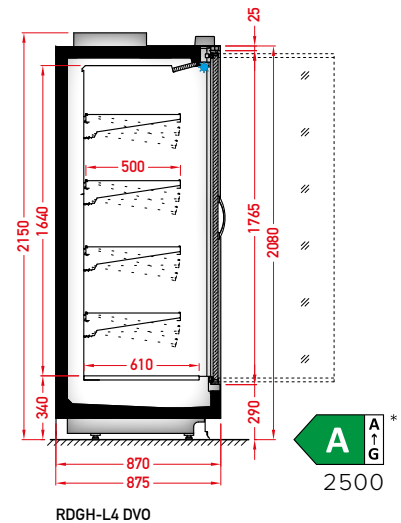
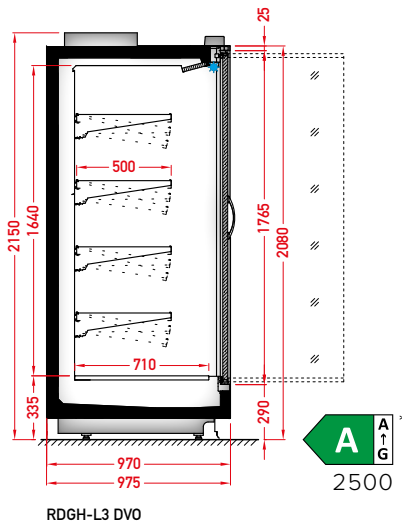
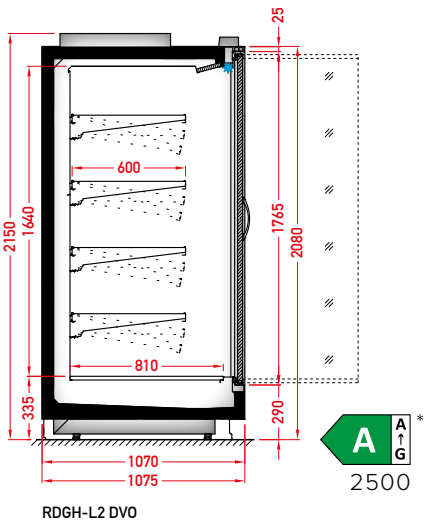
OPTIONS

- sidewalls
- underlighting shelves LEDit lighting
- controller with electronic expansion valve



Gerlach 2.0

RDGH-L2/L3/L4 | DVO



* single module with glass sidewalls

STANDARD FEATURES

- working temperature: from 0°C to 2°C
- natural defrosting
- 2 x NTC temperature probe
- siphoned condensate drains
- exposition: zinc-plated steel, powder coated in white (RAL 9003)
- 4 rows of suspended shelves, on shelves and on air inlet price holders 39 mm
- lighting – top, LEDit
- color of the base – black (RAL 9005)
- grey PVC bumper on the front of the unit

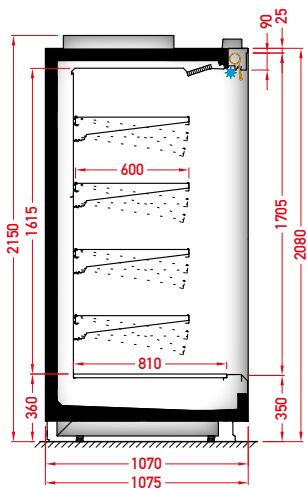
OPTIONS

- sidewalls
- vertical LEDit lighting
- underlighting shelves LEDit lighting
- cotroller with electronic expansion valve

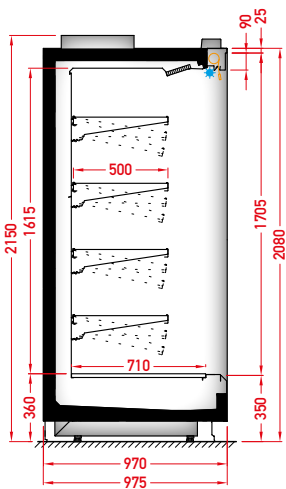
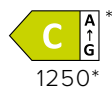


Gerlach 2.0

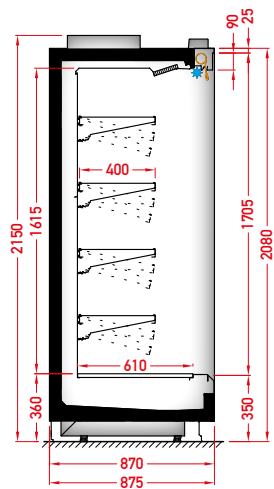
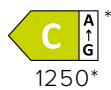
RDGH-L2/L3/L4 | XXX



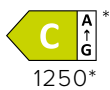
RDGH-L2 XXX



RDGH-L3 XXX



RDGH-L4 XXX



* single module with glass sidewalls

STANDARD FEATURES

- working temperature: from 0°C to 2°C
- natural defrosting
- 2 x NTC temperature probe
- siphoned condensate drains
- exposition: zinc-plated steel, powder coated in white (RAL 9003)
- 4 rows of suspended shelves, on shelves and on air inlet price holders 39 mm
- lighting – top, LEDit
- color of the base – black (RAL 9005)
- grey PVC bumper on the front of the unit
- mechanical night blind

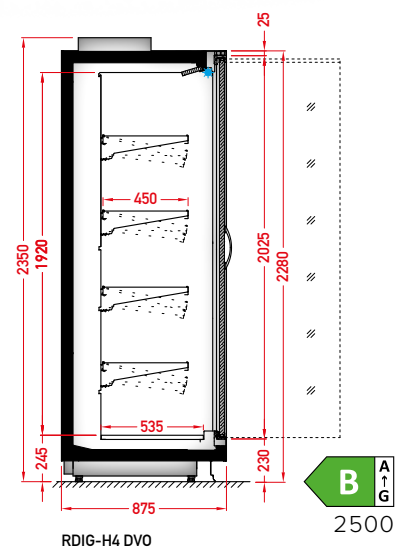
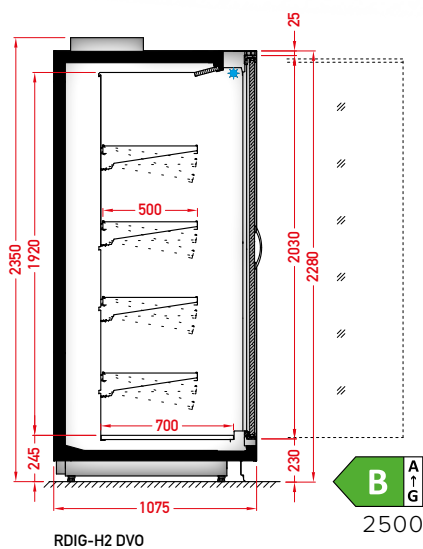
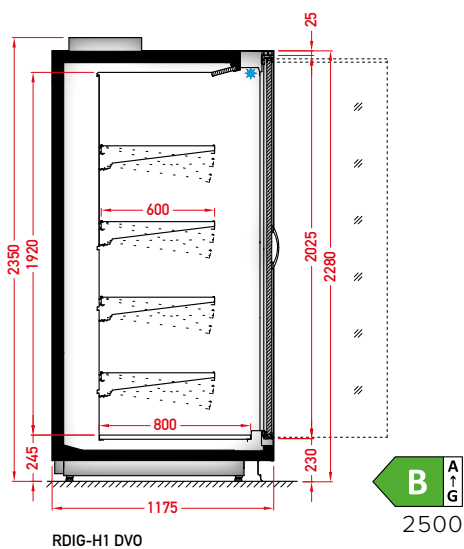
OPTIONS

- sidewalls
- underlighting shelves LEDit lighting
- controller with electronic expansion valve



Iberg 2.0

RDIG-H1/H2/H4 | DVO



STANDARD FEATURES

- working temperature: from 0°C to 2°C
- natural defrosting
- 2 x NTC temperature probe
- siphoned condensate drains
- exposition: zinc-plated steel, powder coated in white (RAL 9003)
- 4 rows of suspended shelves, on shelves and on air inlet price holders 39 mm
- lighting – top, LEDit
- color of the base – black (RAL 9005)
- grey PVC bumper on the front of the unit

OPTIONS

- sidewalls
- vertical LEDit lighting
- underlighting shelves LEDit lighting
- cotroller with electronic expansion valve

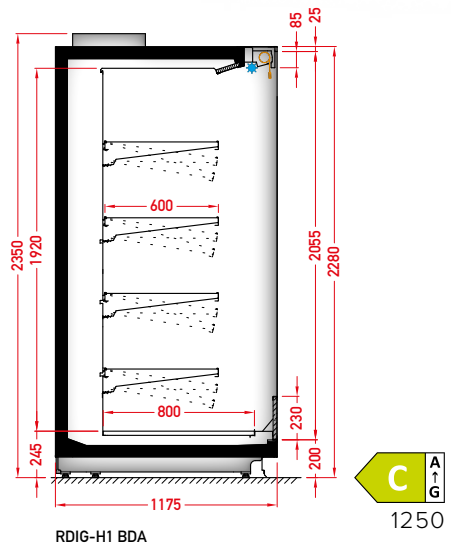


Iberg 2.0

RDIG-H1 | BDA



REMOTE – Multidecks



* single module with glass sidewalls

STANDARD FEATURES

- working temperature: from 0°C to 2°C
- natural defrosting
- 2 x NTC temperature probe
- siphoned condensate drains
- exposition: zinc-plated steel, powder coated in white (RAL 9003)
- 4 rows of suspended shelves, on shelves and on air inlet price holders 39 mm
- lighting – top, LEDit
- color of the base – black (RAL 9005)
- grey PVC bumper on the front of the unit
- mechanical night blind

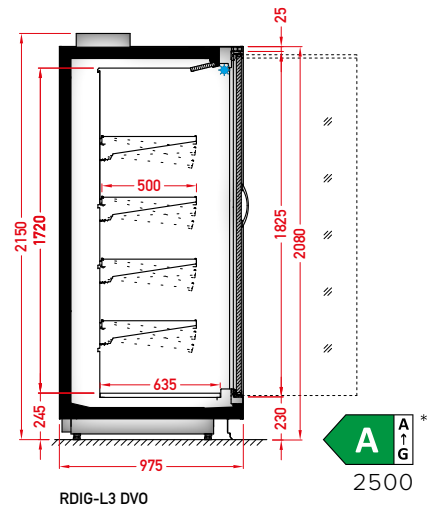
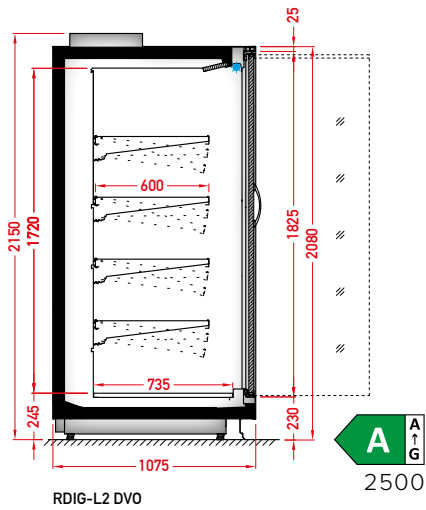
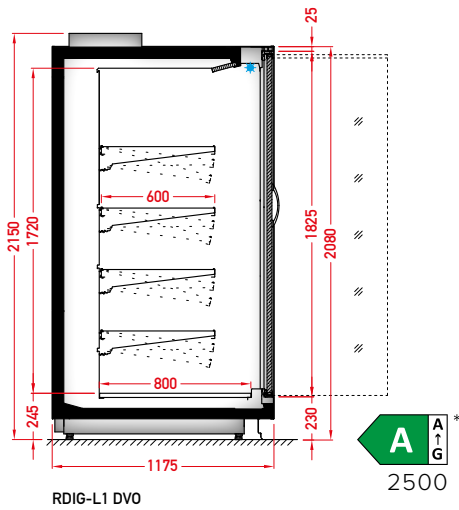
OPTIONS

- sidewalls
- underlighting shelves LEDit lighting
- cotroller with electronic expansion valve



Iberg 2.0

RDIG-L1/L2/L3 | DVO



* single module with glass sidewalls

STANDARD FEATURES

- working temperature: from 0°C to 2°C
- natural defrosting
- 2 x NTC temperature probe
- siphoned condensate drains
- exposition: zinc-plated steel, powder coated in white (RAL 9003)
- 4 rows of suspended shelves, on shelves and on air inlet price holders 39 mm
- lighting – top, LEDit
- color of the base – black (RAL 9005)
- grey PVC bumper on the front of the unit

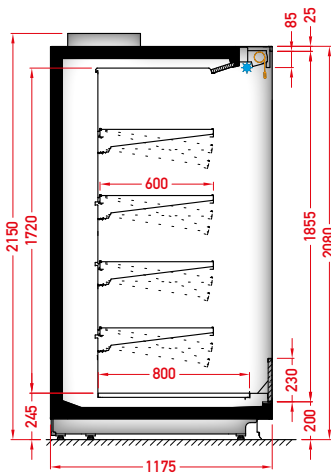
OPTIONS

- sidewalls
- vertical LEDit lighting
- underlighting shelves LEDit lighting
- cotroller with electronic expansion valve

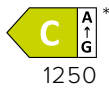


Iberg 2.0

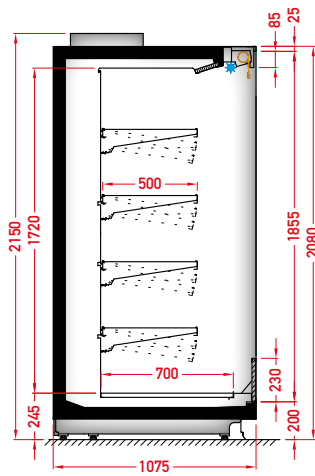
RDIG-L1/L2 | BDA



RDIG-L1 BDA



1250



RDIG-L2 BDA



1250

* single module with glass sidewalls

STANDARD FEATURES

- working temperature: from 0°C to 2°C
- natural defrosting
- 2 x NTC temperature probe
- siphoned condensate drains
- exposition: zinc-plated steel, powder coated in white (RAL 9003)
- 4 rows of suspended shelves, on shelves and on air inlet price holders 39 mm
- lighting – top, LEDit
- color of the base – black (RAL 9005)
- grey PVC bumper on the front of the unit
- mechanical night blind

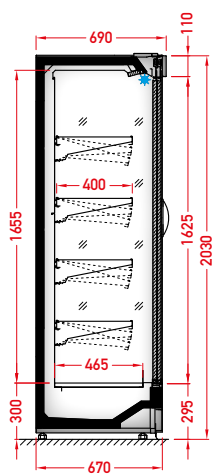
OPTIONS

- sidewalls
- underlighting shelves LEDit lighting
- controller with electronic expansion valve



Kaukaz

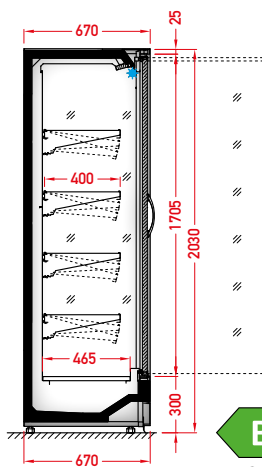
RDKA-11 | DDS DVO XXX



RDKA-11 DDS



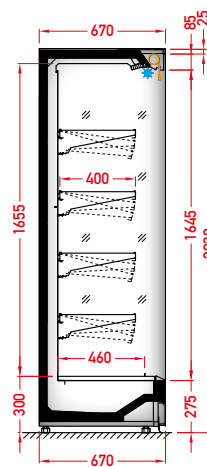
2500



RDKA-11 DVO



2500



RDKA-11 XXX



1250

STANDARD FEATURES

- working temperature: from 0°C to 2°C
- natural defrosting
- 2 x NTC temperature probe
- siphoned condensate drains
- exposition: zinc-plated steel, powder coated in white (RAL 9003)
- 4 rows of suspended shelves, on shelves and on air inlet price holders 39 mm
- lighting – top, LEDit
- color of the base – black (RAL 9005)
- grey PVC bumper on the front of the unit
- mechanical night blind for version XXX

OPTIONS

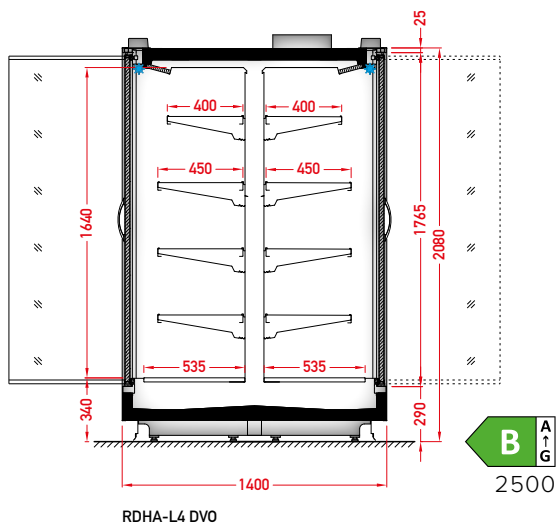
- sidewalls
- vertical LEDit lighting
- underlighting shelves LEDit lighting
- cotroller with electronic expansion valve



DDS	1250	1875	2150	2500	3750	
DVO	1250	1875	2150	2500	3750	
XXX	0900	1250	1875	2150	2500	3750

Halti

RDHA-L4 | DVO



STANDARD FEATURES

- working temperature: from 0°C to 2°C
- natural defrosting
- 2 x NTC temperature probe
- siphoned condensate drains
- exposition: zinc-plated steel, powder coated in white (RAL 9003)
- 4 rows of suspended shelves for each side, on shelves price holders 39 mm
- lighting – top, LEDit
- color of the base – black (RAL 9005)
- grey PVC bumper on the front of the unit

OPTIONS

- sidewalls
- vertical LEDit lighting
- underlighting shelves LEDit lighting
- cotroller with electronic expansion valve



SemiVertical

MULTIDECKS

REMOTE





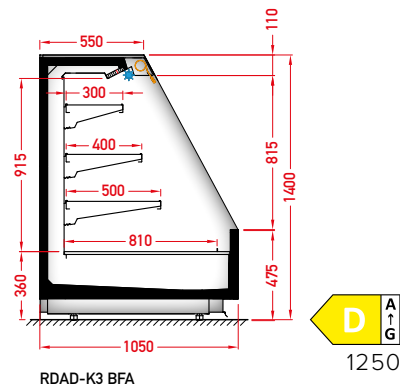
This range of lower height multidecks has been designed to combine compact size and large display area. This solution provides a variety of options for store layout.

Designed for natural (hydrocarbons) refrigerants



GLOBAL WARMING POTENTIAL (AR4)





STANDARD FEATURES

- working temperature from 0°C to 2°C
- natural defrosting
- 2 x NTC temperature probe
- siphoned condensate drains
- exposition: zinc-plated steel, powder coated in white (RAL 9003)
- 3 rows of suspended shelves, on shelves and on air inlet price holders 39 mm
- lighting: top, LEDit
- color of the base – black (RAL 9005)
- mechanical night blind

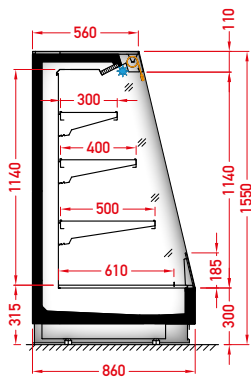
OPTIONS

- sidewalls
- underlighting shelves LEDit lighting
- cotroller with electronic expansion valve
- bumper



Andy

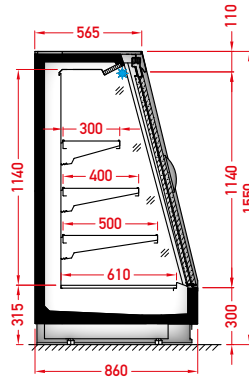
RDAD-N5 | BSA DDS DVO



RDAD-N5 BSA



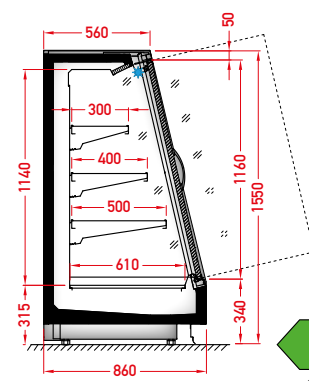
1250



RDAD-N5 DDS



2500



RDAD-N5 DVO



2500

STANDARD FEATURES

- working temperature, straight module: from 0°C to 2°C;
- natural defrosting
- 2 x NTC temperature probe
- siphoned condensate drains
- exposition: zinc-plated steel, powder coated in white (RAL 9003)
- 3 rows of suspended shelves, on shelves and on air inlet price holders 39 mm
- lighting: top, LEDit
- color of the base – black (RAL 9005)
- mechanical night blind for version BSA

OPTIONS

- sidewalls
- vertical LEDit lighting
- underlighting shelves LEDit lighting
- cotroller with electronic expansion valve
- bumper

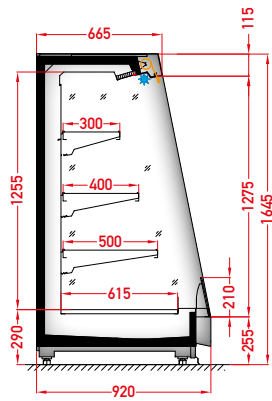


AVAILABLE MODULES

BSA	1250	1875	2150	2500	3750
DDS	1250	1875	2150	2500	3750
DVO	1250	1875	2150	2500	3750

Andy

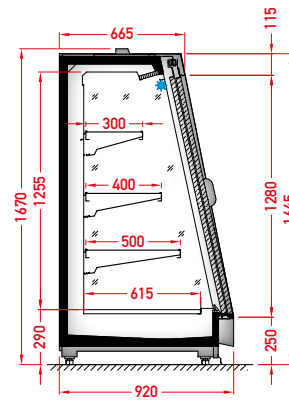
RDAN-29 | BSA DDS



RDAN-29 BSA

E A ↑ G

2500



RDAN-29 DDS

C A ↑ G

2500

STANDARD FEATURES

- working temperature from 0°C to 2°C;
- natural defrosting
- 2 x NTC temperature probe
- siphoned condensate drains
- exposition: zinc-plated steel, powder coated in white (RAL 9003)
- 3 rows of suspended shelves, on shelves and on air inlet price holders 39 mm
- lighting: top, LEDit
- color of the base – black (RAL 9005)
- mechanical night blind

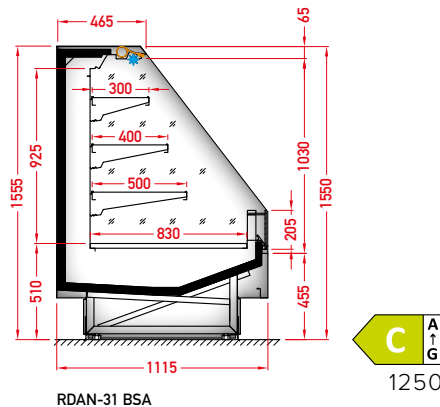
OPTIONS

- sidewalls
- vertical LEDit lighting
- underlighting shelves LEDit lighting
- cotroller with electronic expansion valve
- bumper



Andy

RDAN-31 | BSA



STANDARD FEATURES

- working temperature, straight module: from 0°C to 2°C;
- natural defrosting
- 2 x NTC temperature probe
- siphoned condensate drains
- exposition: zinc-plated steel, powder coated in white (RAL 9003)

- 3 rows of suspended shelves, on shelves and on air inlet price holders 39 mm
- lighting: top, LEDit
- color of the base – black (RAL 9005)
- mechanical night blind

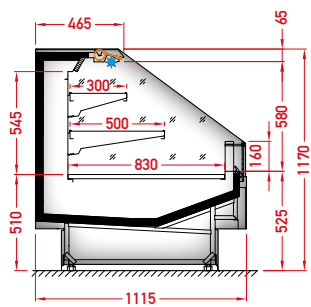
OPTIONS

- sidewalls
- underlighting shelves LEDit lighting
- controller with electronic expansion valve
- bumper



Andy

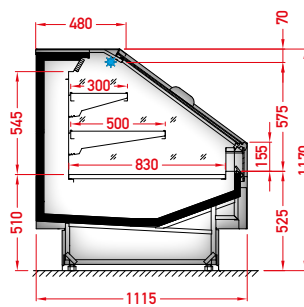
RDAN-37 | BSA CSS



RDAN-37 BSA



1250



RDAN-37 CSS



2500

STANDARD FEATURES

- working temperature, straight module: from 0°C to 2°C
- natural defrosting
- 2 x NTC temperature probe
- siphoned condensate drains
- exposition: zinc-plated steel, powder coated in white (RAL 9003)
- 2 rows of suspended shelves, on shelves and on air inlet price holders 39 mm
- lighting: top, LEDit
- color of the base – black (RAL 9005)
- mechanical night blind for version BSA

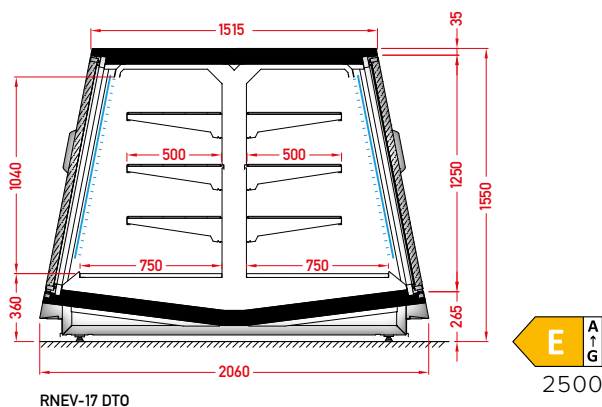
OPTIONS

- sidewalls
- vertical LEDit lighting
- underlighting shelves LEDit lighting
- controller with electronic expansion valve
- bumper



Evans

RNEV-17 | DTO



STANDARD FEATURES

- working temperature, from -25°C to -21°C
- electrical defrosting
- 2 x NTC temperature probe
- exposition: zinc-plated steel, powder coated in white (RAL 9003)
- 3 rows of suspended shelves, on shelves and on air inlet price holders 39 mm
- lighting: vertical LEDit
- inox square bumper

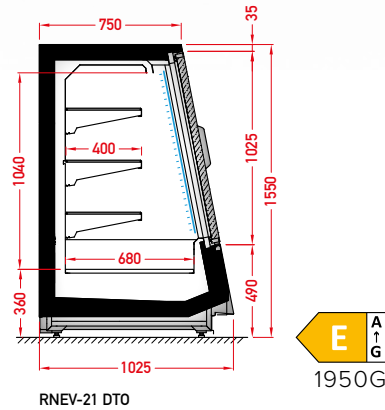
OPTIONS

- sidewalls
- electronic expansion valve



Evans

RNEV-21 | DTO



STANDARD FEATURES

- working temperature, from -25°C to -21°C
- electrical defrosting
- 2 x NTC temperature probe
- exposition: zinc-plated steel, powder coated in white (RAL 9003)
- 3 rows of suspended shelves, on shelves and on air inlet price holders 39 mm
- lighting: vertical LEDit
- inox square bumper

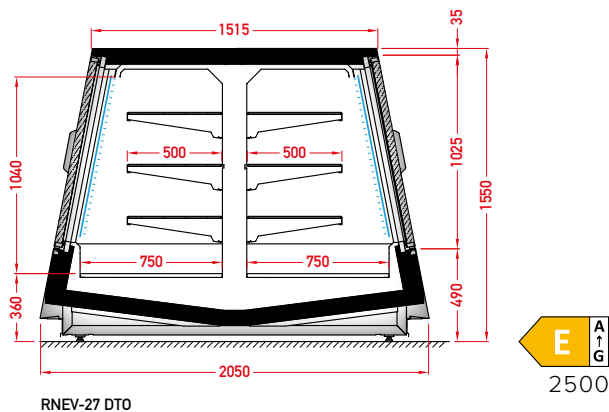
OPTIONS

- sidewalls
- electronic expansion valve



Evans

RNEV-27 | DTO



STANDARD FEATURES

- working temperature, from -25°C to -21°C
- electrical defrosting
- 2 x NTC temperature probe
- exposition: zinc-plated steel, powder coated in white (RAL 9003)
- 3 rows of suspended shelves, on shelves and on air inlet price holders 39 mm
- lighting: vertical LEDit
- inox square bumper

OPTIONS

- sidewalls
- electronic expansion valve





ISLANDS

REMOTE



These are best adapted for spaces, where you do not want to obscure the view. We constantly improve the design of our equipment and we managed to create better side visibility, easier combining into lines, better service access for some parts and better design capabilities with painted vertical corner profiles.

**Designed for natural
(hydrocarbons) refrigerants**

**GLOBAL WARMING
POTENTIAL (AR4)**



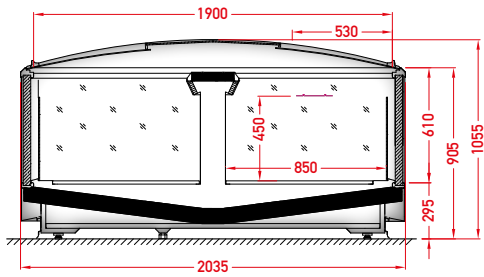
R744



1

Everest

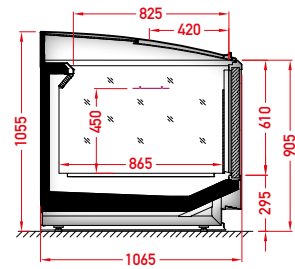
WNEV-17 | CCP CSS



WNEV-17 CCP



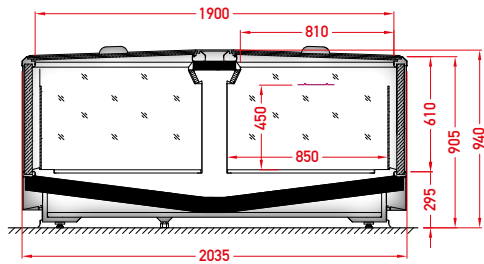
2500



WNEV-17-1895G CCP



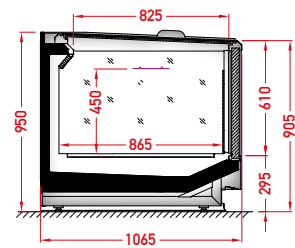
1895



WNEV-17 CSS



2500



WNEV-17-1895G CSS



1895

STANDARD FEATURES

- double island (1 evaporator per module)
- working temperature: from -25°C to -21°C
- electrical defrosting
- 2 x NTC temperature probe (per evaporator)
- siphoned condensate drains
- thermopane glass
- exposition: zinc-plated steel, powder coated in white (RAL 9003)
- color of the base – black (RAL 9005)
- WNEV-17-1895G sidewalls integrated

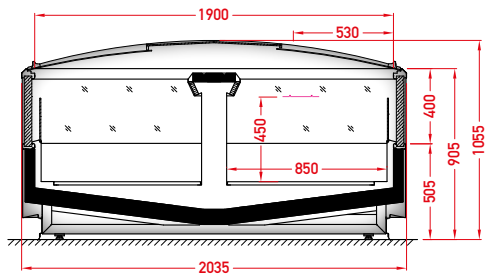
OPTIONS

- sidewalls
- LEDit lighting
- controller with electronic expansion valve
- grey PVC bumper



Everest

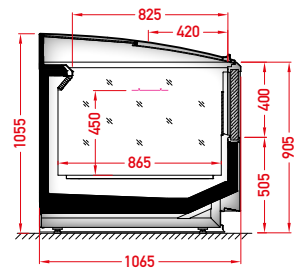
WNEV-27 | CCP CSS



WNEV-27 CCP



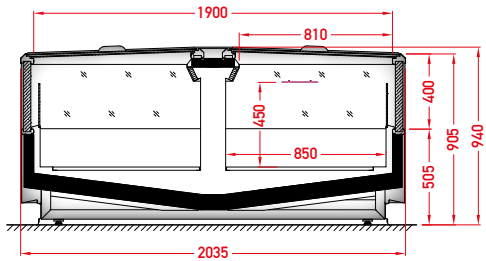
2500



WNEV-27-1895G CCP



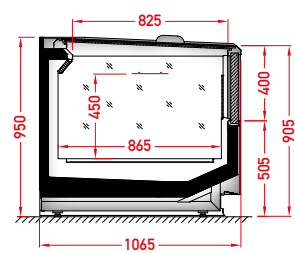
1895



WNEV-27 CSS



2500



WNEV-27-1895G CSS



1895

STANDARD FEATURES

- double island (1 evaporator per module)
- working temperature: from -25°C to -21°C
- electrical defrosting
- 2 x NTC temperature probe (per evaporator)
- siphoned condensate drains
- thermopane glass
- exposition: zinc-plated steel, powder coated in white (RAL 9003)
- color of the base – black (RAL 9005)
- WNEV-27-1895G sidewalls integrated

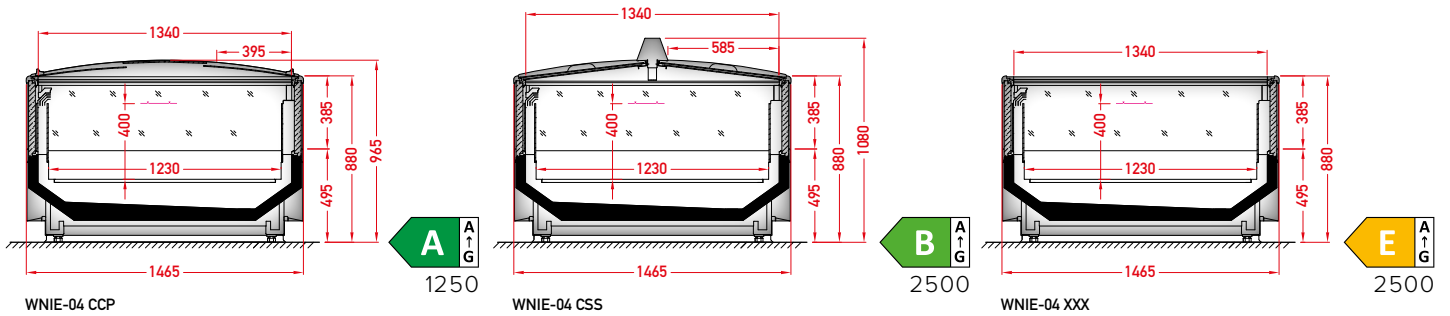
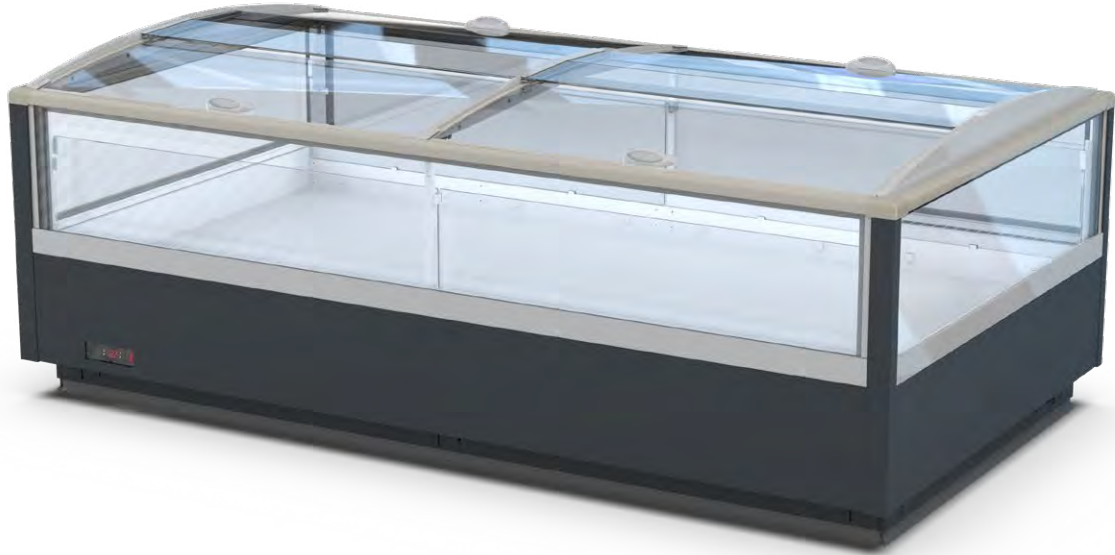
OPTIONS

- sidewalls
- LEDit lighting
- controller with electronic expansion valve
- grey PVC bumper



Idea

WNIE-04 | CCP CSS XXX



STANDARD FEATURES

- working temperature: from -25°C to -21°C
- electrical defrosting
- 2 x NTC temperature probe
- siphoned condensate drains
- thermopane glass
- exposition: zinc-plated steel, powder coated in white (RAL 9003)
- color of the base – black (RAL 9005)
- WNID-04-1340G sidewalls integrated

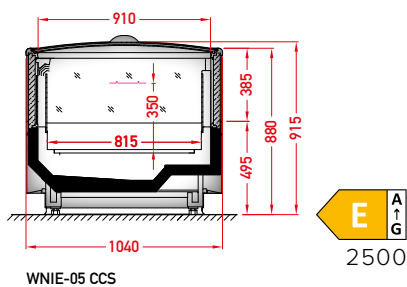
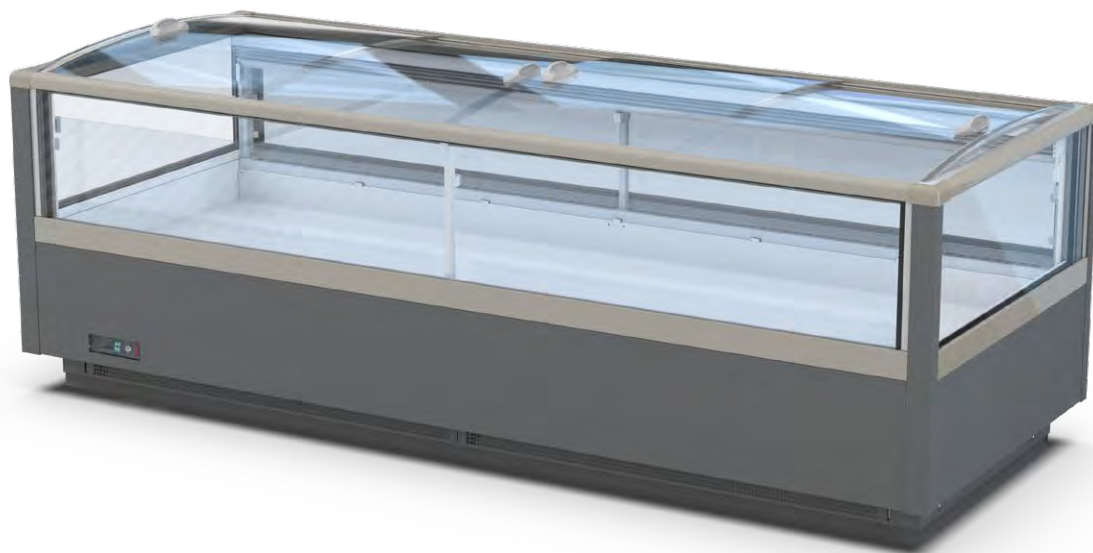
OPTIONS

- sidewalls
- LEDit lighting
- controller with electronic expansion valve
- grey PVC bumper



Idea

WNIE-05 | CCS



STANDARD FEATURES

- working temperature: from -25°C to -21°C
- electrical defrosting
- 2 x NTC temperature probe
- siphoned condensate drains
- thermopane glass
- exposition: zinc-plated steel, powder coated in white (RAL 9003)
- color of the base – black (RAL 9005)

OPTIONS

- sidewalls
- LEDit lighting
- controller with electronic expansion valve
- grey PVC bumper



CABINETS

REMOTE





It is typically people with busy lifestyles who are shopping for frozen products. Good arrangement of a store can save a lot of time while shopping. That is why design of our cabinets is about good visibility and ergonomics. Easy to choose – easy to reach.

**Designed for natural
(hydrocarbons) refrigerants**



R744

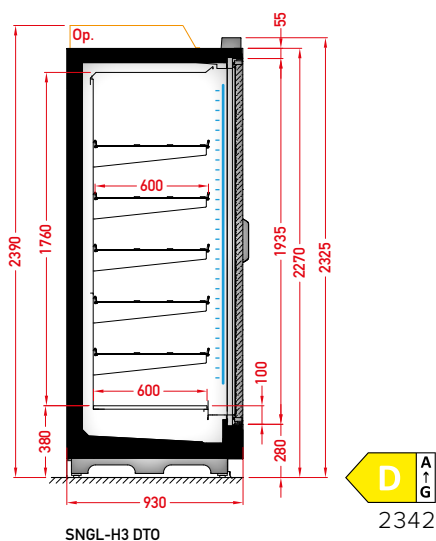
**GLOBAL WARMING
POTENTIAL (AR4)**



1

Glacier

SNGL-H3 | DTO



STANDARD FEATURES

- working temperature: from -25°C to -21°C
- electrical defrosting
- 2 x NTC temperature probe
- siphoned condensate drains
- 5 rows of suspended mesh shelves, on shelves and on air inlet price holders 39 mm
- exposition: zinc-plated steel, powder coated in white (RAL 9003)
- lighting: vertical LEDit
- framed doors without heaters
- perspex divider between doors
- color of the base – black (RAL 9005)

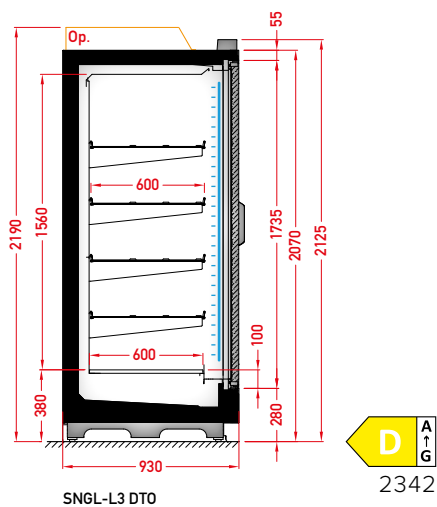
OPTIONS

- sidewalls
- cotroller with electronic expansion valve
- grey PVC bumper



Glacier

SNGL-L3 | DTO



STANDARD FEATURES

- working temperature: from -25°C to -21°C
- electrical defrosting
- 2 x NTC temperature probe
- siphoned condensate drains
- 4 rows of suspended mesh shelves, on shelves and on air inlet price holders 39 mm
- exposition: zinc-plated steel, powder coated in white (RAL 9003)
- lighting: vertical LEDit
- framed doors without heaters
- perspex divider between doors
- color of the base – black (RAL 9005)

OPTIONS

- sidewalls
- controller with electronic expansion valve
- grey PVC bumper



COUNTERS

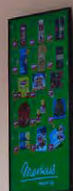
REMOTE



WĘDLINY

TRADYCJA
ŁĄCZY

DOBRY
WYBÓR





We focus not only on the display of the product, but also ergonomic and multifunctional use. We have created better conditions for product storage, easier cleaning and flexibility in changing the product from with service to self-service.

Designed for natural
(hydrocarbons) refrigerants

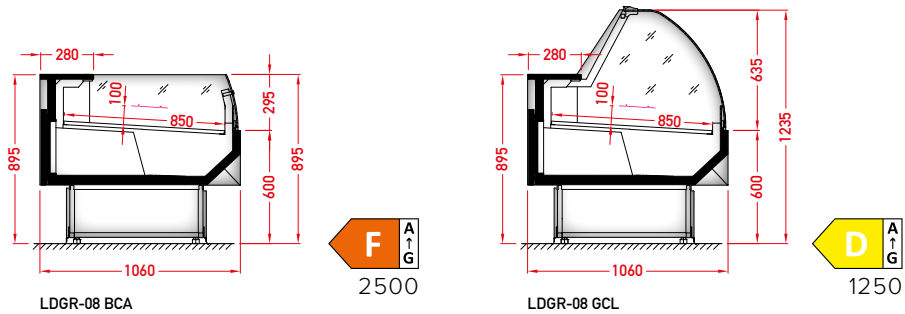
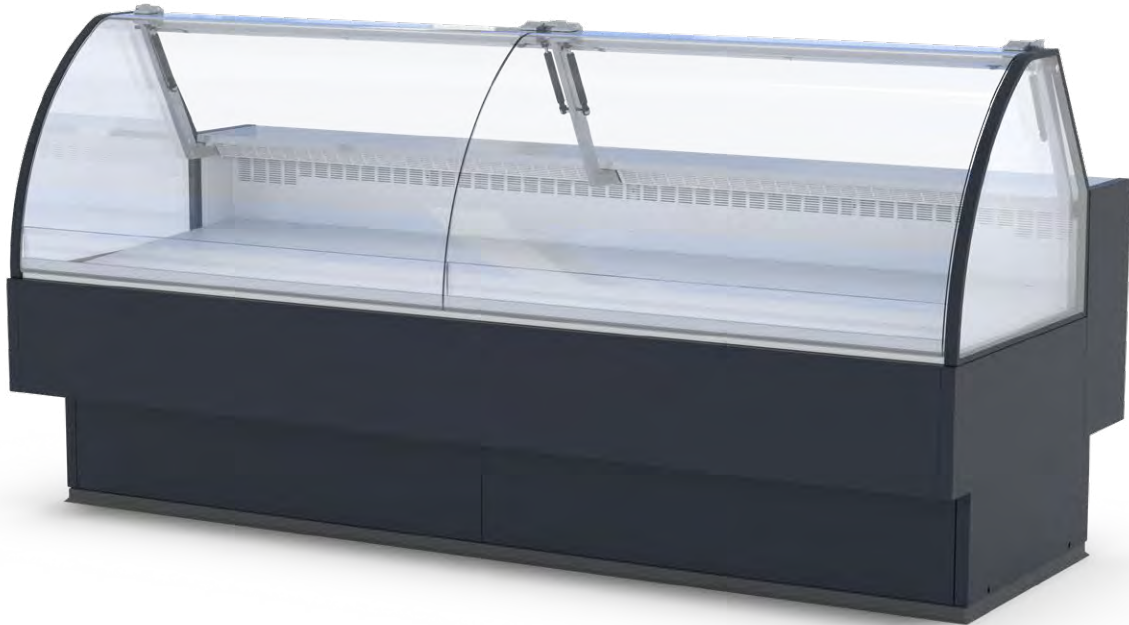


GLOBAL WARMING
POTENTIAL (AR4)



Grazia

LDGR-08 | BCA GCL



STANDARD FEATURES

- working temperature: from 0°C to 2°C
- electrical defrosting
- 2 x NTC temperature probe
- siphoned condensate drains
- back doors – quantity according to the module
- exposition: zinc-plated steel, powder coated in white (RAL 9003)
- storage: steel coated in grey
- worktop: linen stainless steel
- color of the base black (RAL 9005)
- perspex covers – 1250, 1875, 2500, 3750

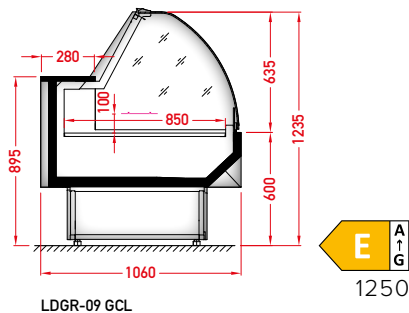
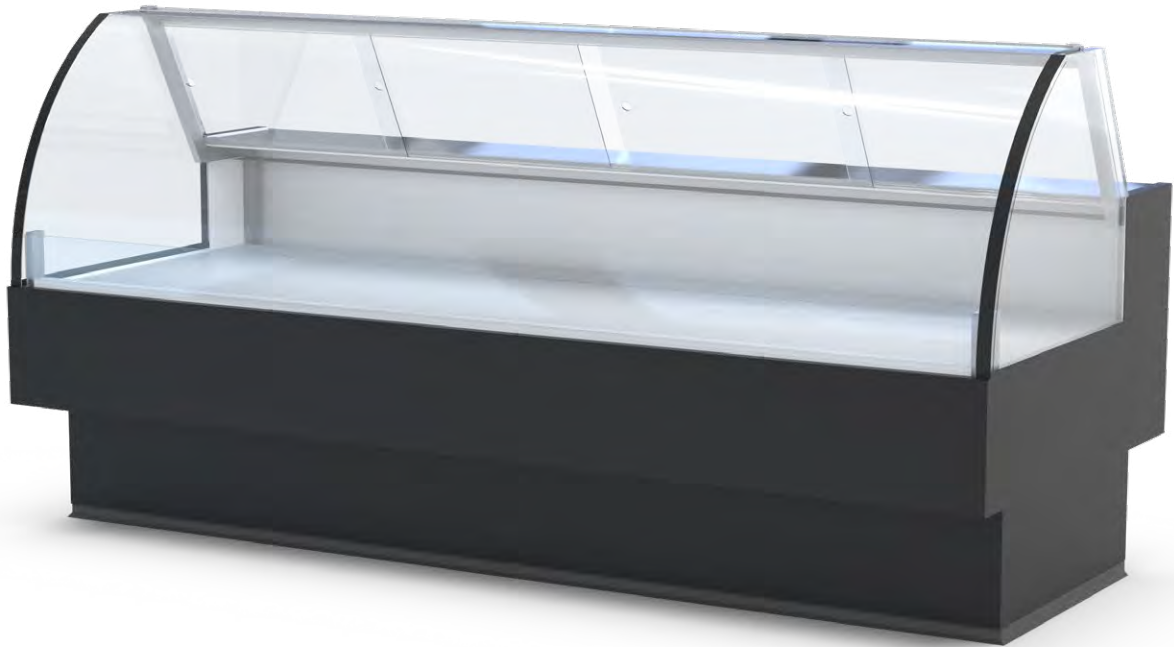
OPTIONS

- sidewalls
- LEDit lighting (GCL only)
- controller with electronic expansion valve
- bumper



Grazia

LDGR-09 | GCL



STANDARD FEATURES

- working temperature – straight module and corners from 0°C to 2°C
- electrical defrosting
- 2 x NTC temperature probe
- siphoned condensate drains
- exposition: zinc-plated steel, powder coated in white (RAL 9003)
- worktop: linen stainless steel
- color of the base black (RAL 9005)
- perspex covers – 1250, 1875, 2500, 3750

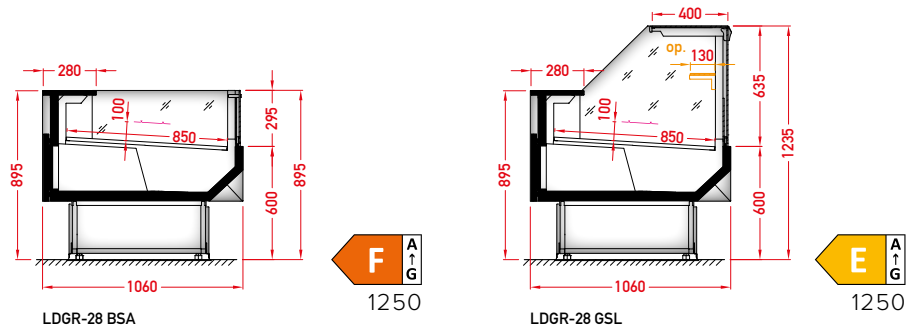
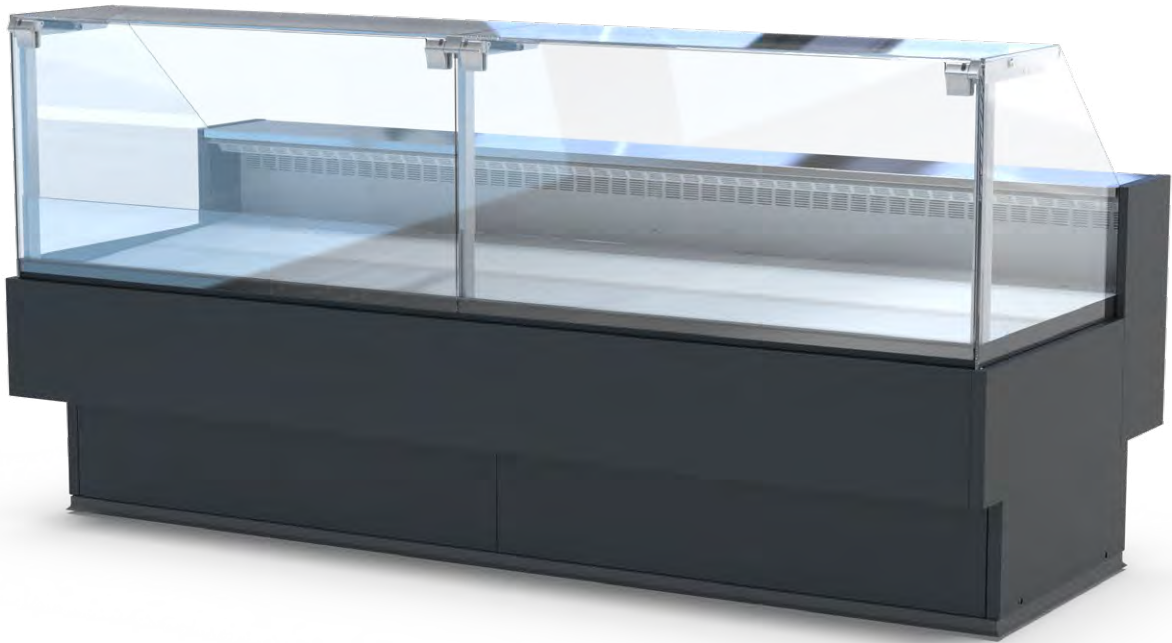
OPTIONS

- sidewalls
- LEDit lighting (GCL only)
- controller with electronic expansion valve
- bumper



Grazia

LDGR-28 | BSA GSL



STANDARD FEATURES

- working temperature – straight module and corners from 0°C to 2°C
- electrical defrosting
- 2 x NTC temperature probe
- siphoned condensate drains
- back doors – quantity according to the module
- exposition: zinc-plated steel, powder coated in white (RAL 9003)
- storage: steel coated in grey
- worktop: linen stainless steel
- color of the base black (RAL 9005)
- perspex covers – 1250, 1875, 2500, 3750

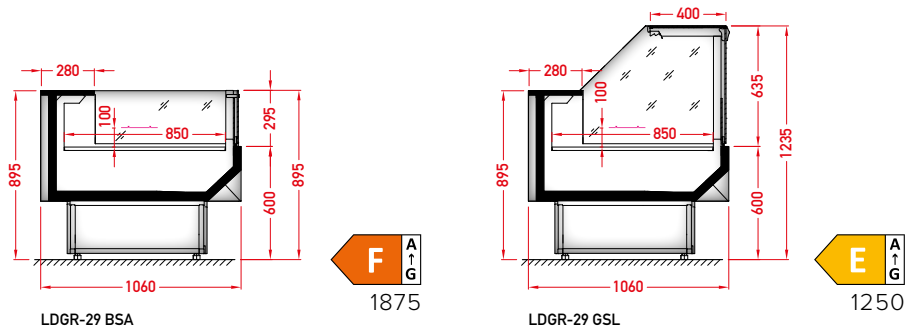
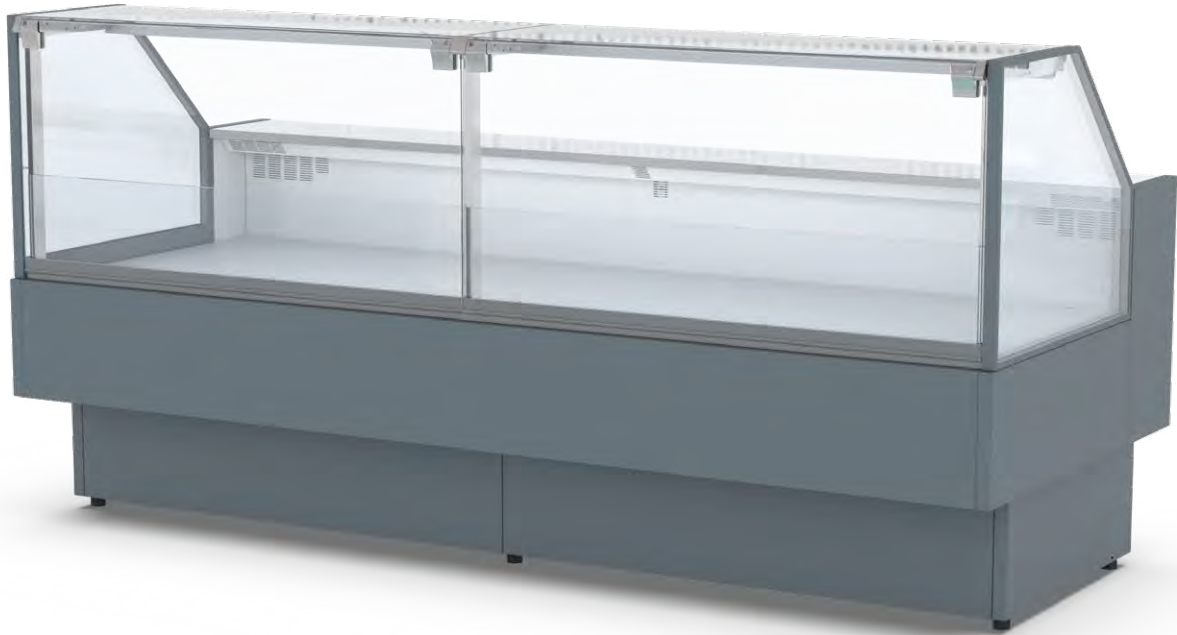
OPTIONS

- sidewalls
- LEDit lighting (GSL only)
- controller with electronic expansion valve
- bumper



Grazia

LDGR-29 | BSA GSL



STANDARD FEATURES

- working temperature – straight module and corners from 0°C to 2°C
- electrical defrosting
- 2 x NTC temperature probe
- siphoned condensate drains
- exposition: zinc-plated steel, powder coated in white (RAL 9003)
- worktop: linen stainless steel
- color of the base black (RAL 9005)
- perspex covers – 1250, 1875, 2500, 3750

OPTIONS

- sidewalls
- LEDit lighting (GSL only)
- controller with electronic expansion valve
- bumper

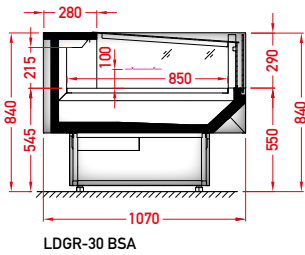
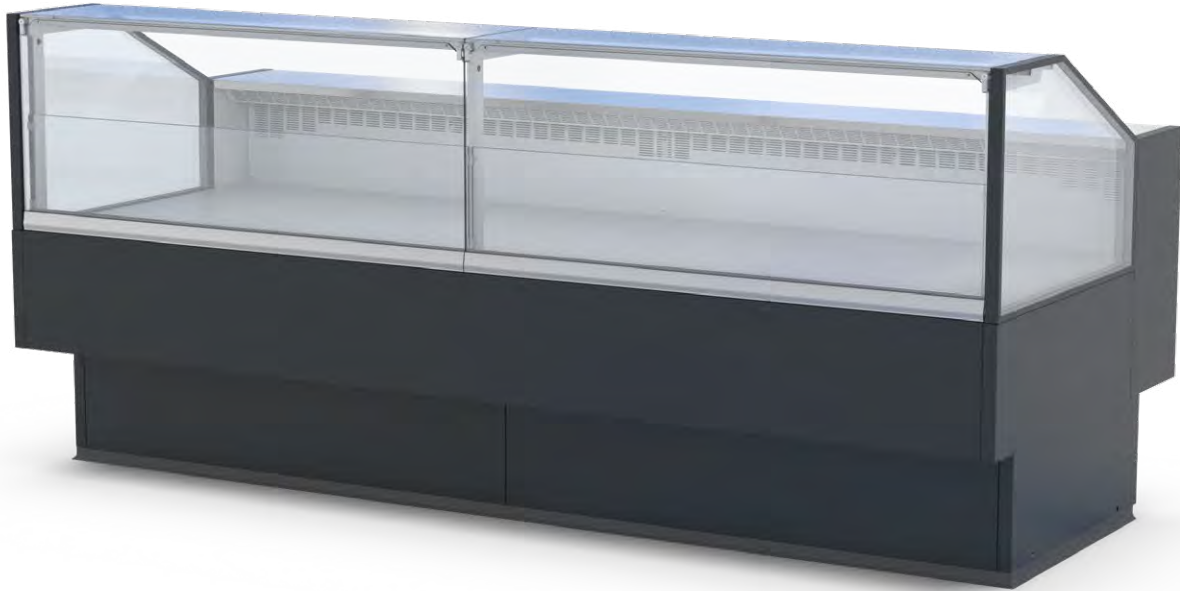


AVAILABLE MODULES

BSA	1250	1875	2500
GSL	1250	1875	2500 3750
	NW45	NZ45	NZ90

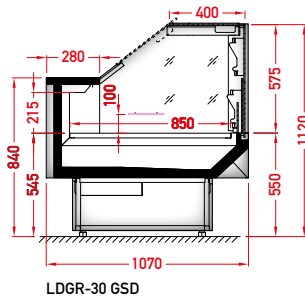
Grazia

LDGR-30 | BSA GSD GSL



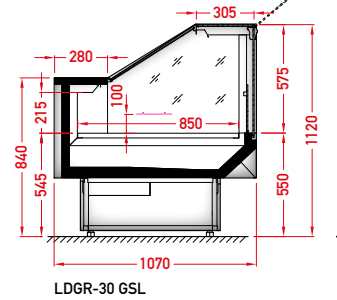
E A ↑ G

1875



E A ↑ G

2500



D A ↑ G

1250

STANDARD FEATURES

- working temperature – straight module and corners from 0°C to 2°C
- electrical defrosting
- 2 x NTC temperature probe
- siphoned condensate drains
- exposition: zinc-plated steel, powder coated in white (RAL 9003)
- worktop: linen stainless steel
- color of the base black (RAL 9005)
- perspex covers – 1250, 1875, 2500, 3750

OPTIONS

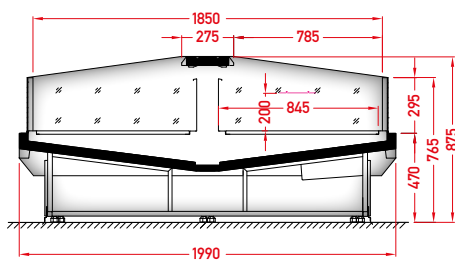
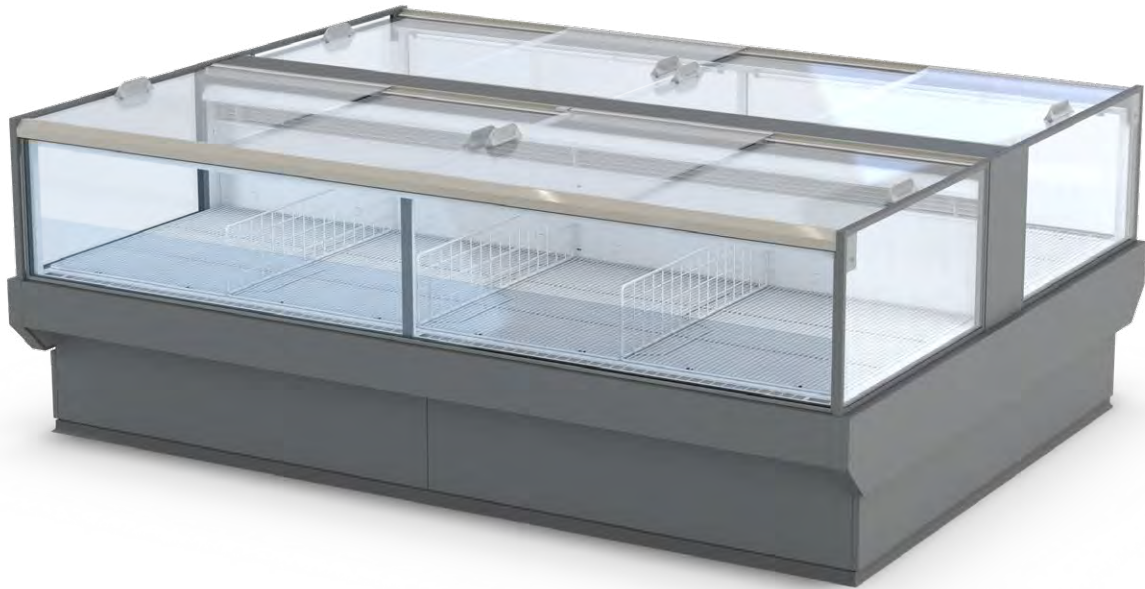
- sidewalls
- LEDit lighting (GSD, GSL only)
- controller with electronic expansion valve
- bumper



BSA	1250	1875	2500	3750
	NZ45	NW90	NZ90	
GSL	1250	1875	2500	3750
	NW45	NZ45	NZ90	
GSD	1250	1875	2500	3750

Lhotse

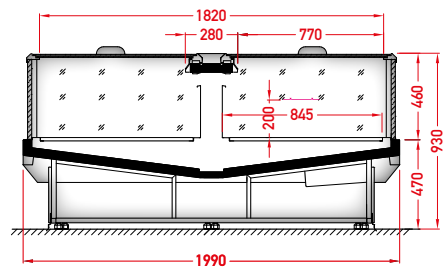
LDLH-12 | BSA CSS



LDLH-12 BSA



2500



LDLH-12 CSS



2500

STANDARD FEATURES

- working temperature: from 0°C to 2°C
- electrical defrosting
- 2 x NTC temperature probe
- siphoned condensate drains
- 2 exposition: zinc-plated steel, powder coated in white (RAL 9003)
- worktop: linen stainless steel
- exposition on the full base
- mechanical night blind in cassette for version BSA
- cascade 3-levels zinc steel (RAL 9003) for version BSA
- LDLH-12-1930G sidewalls integrated

OPTIONS

- sidewalls
- LEDit lighting
- controller with electronic expansion valve
- bumper

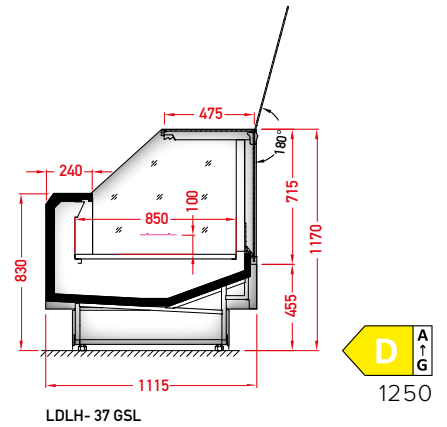
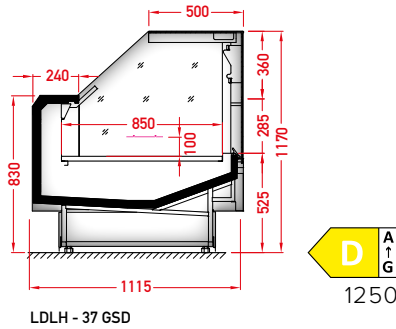
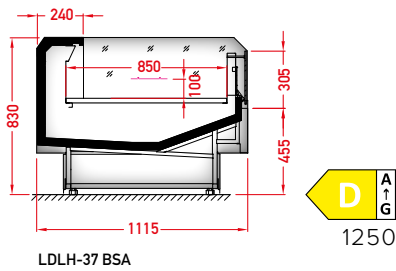
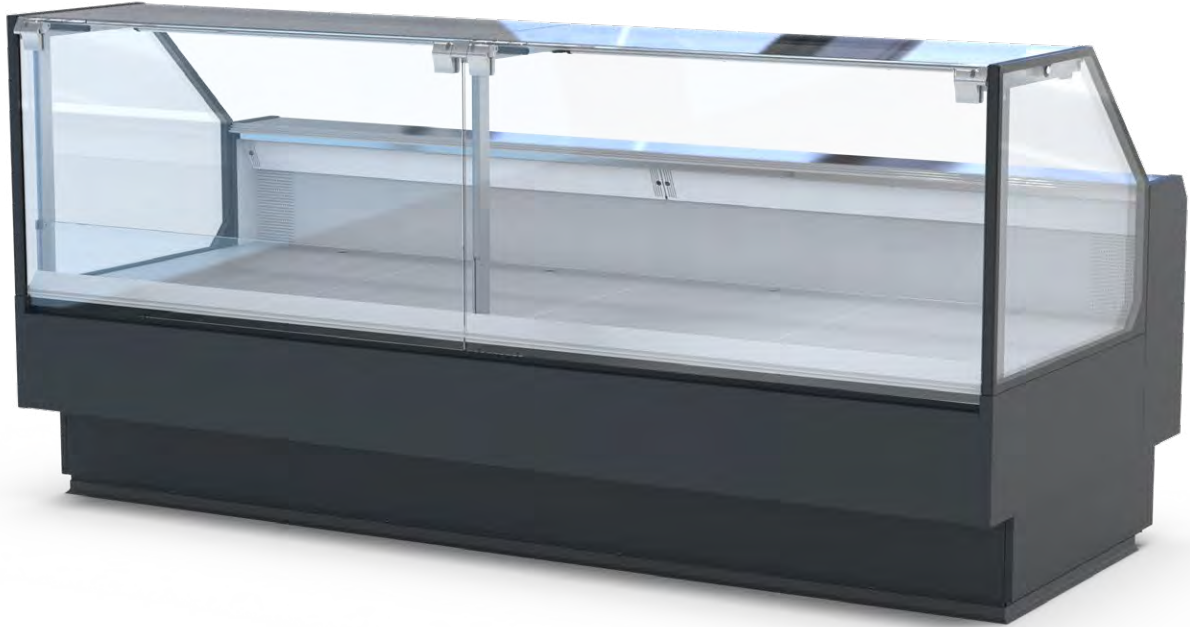


AVAILABLE MODULES

BSA	1875	2500	3750	1930G
CSS	1875	2500	3750	1930G

Lhotse

LDLH-37 | BSA GSD GSL



STANDARD FEATURES

- working temperature – straight and corner NZC/NZS GSL from 0°C to 2°C; corner NZC/NZS BSA from 2°C to 4°C (with cascade from 0°C to 2°C); corner NWS from 4°C to 8°C
- electrical defrosting
- 2 x NTC temperature probe
- siphoned condensate drains
- exposition: zinc-plated steel, powder coated in white (RAL 9003)
- worktop: linen stainless steel
- exposition on a full base

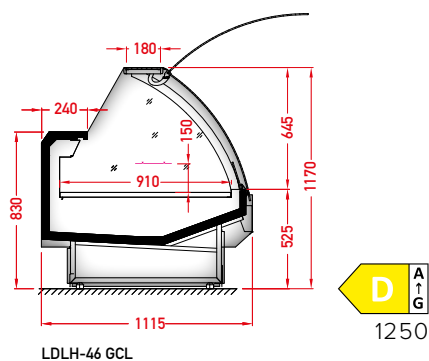
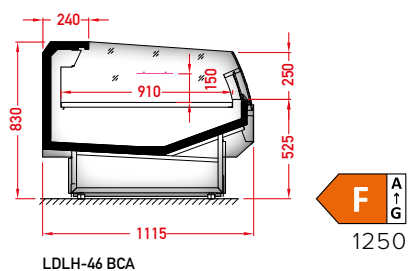
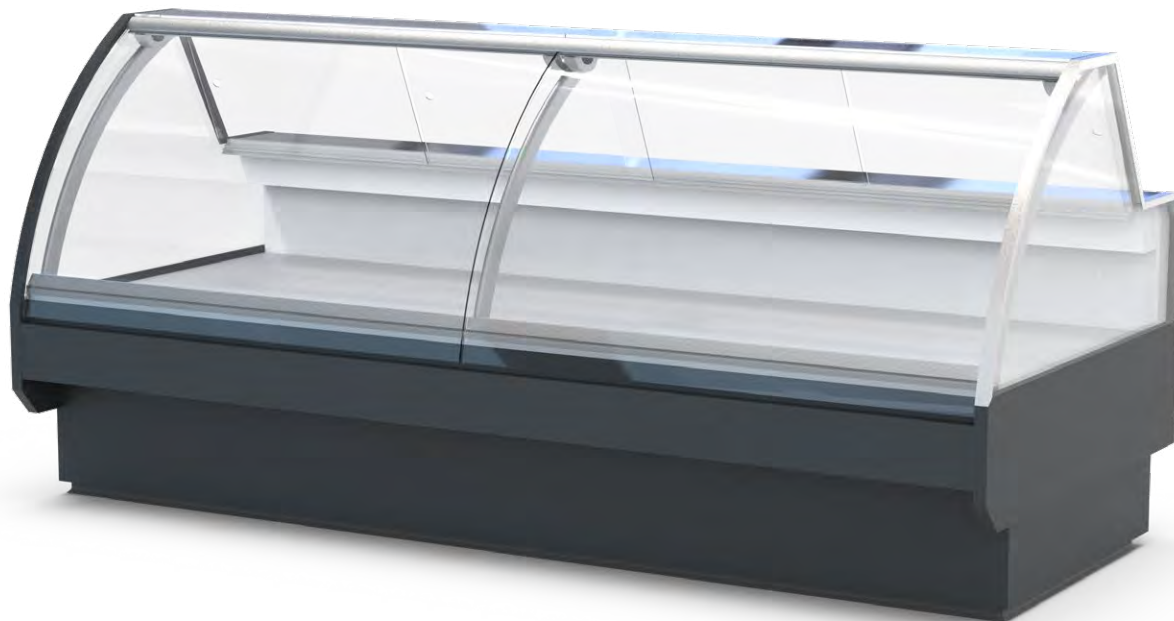
OPTIONS

- sidewalls
- LEDit lighting (GSD, GSL only)
- controller with electronic expansion valve
- bumper



Lhotse

LDLH-46 | BCA GCL



STANDARD FEATURES

- working temperature – straight module: from 0°C to 2°C; corner nodules from 4°C to 8°C
- electrical defrosting
- 2 x NTC temperature probe
- siphoned condensate drains
- exposition: zinc-plated steel, powder coated in white (RAL 9003)

- worktop: linen stainless steel
- perspex covers
- expositions full base

OPTIONS

- sidewalls
- LEDit lighting (GCL only)
- cotroller with electronic expansion valve
- bumper

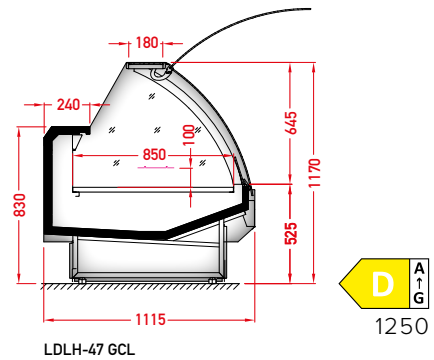
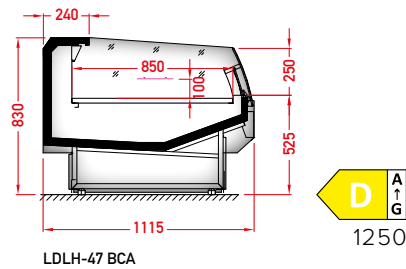


AVAILABLE MODULES

BCA	1250	1875	2150	2500	
GCL	1250	1875	2150	2500	3750

Lhotse

LDLH-47 | BCA GCL



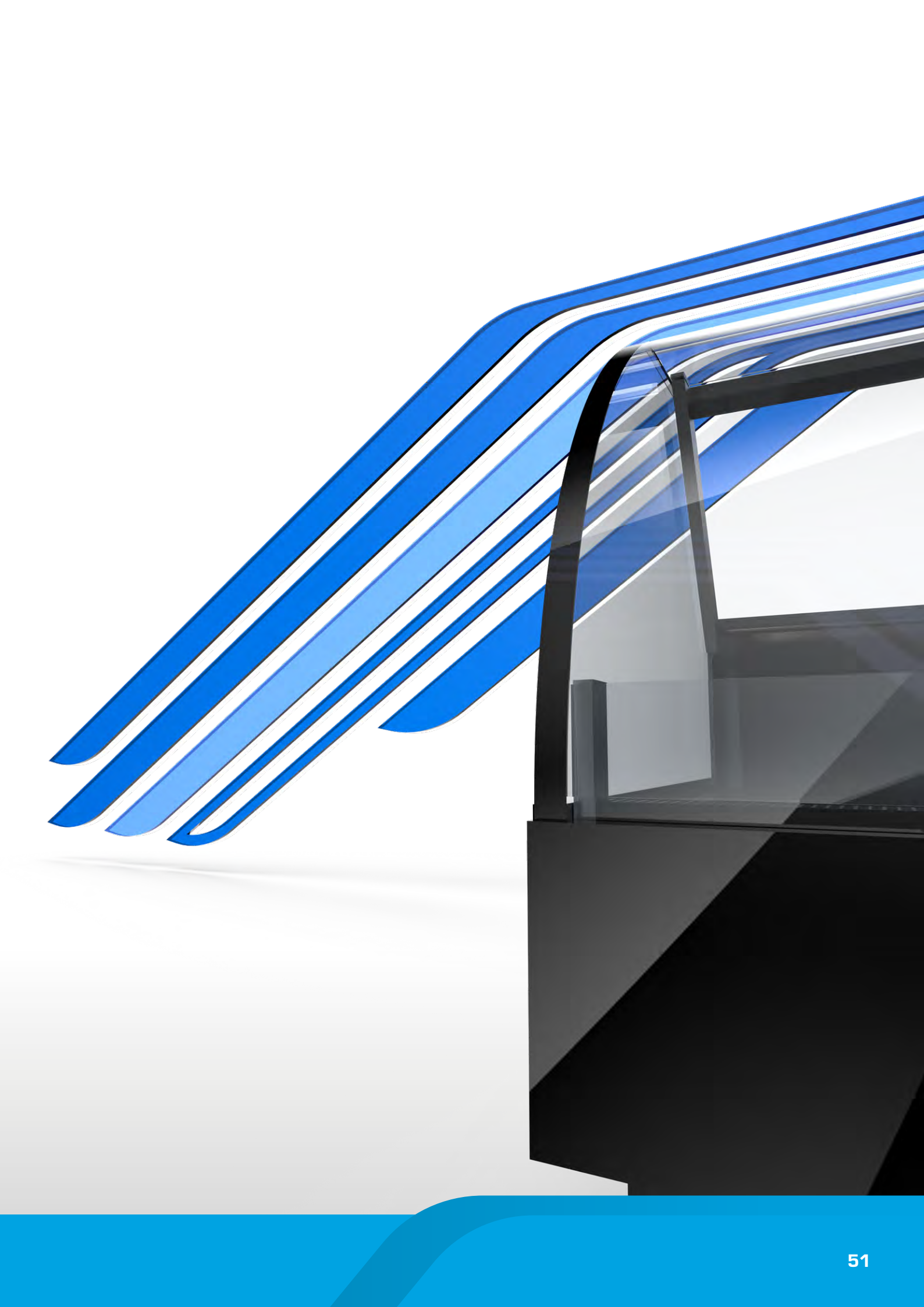
STANDARD FEATURES

- working temperature – straight module: from 0°C to 2°C; corner nodules from 4°C to 8°C
- electrical defrosting
- 2 x NTC temperature probe
- siphoned condensate drains
- exposition: zinc-plated steel, powder coated in white (RAL 9003)
- worktop: linen stainless steel
- expositions full base

OPTIONS

- sidewalls
- LEDit lighting (GCL only)
- controller with electronic expansion valve
- bumper





HOT CASES

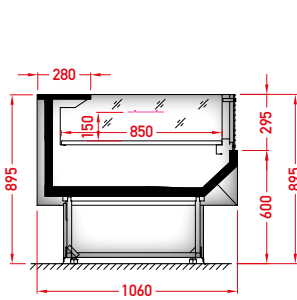




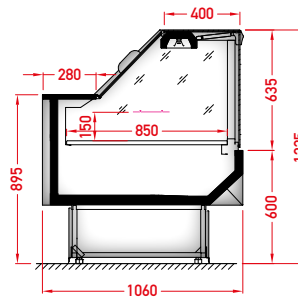
Ideal for the busy restaurant or food service outlet, our range of hot cases use hot lamps, heated elements or Bain marie's and can be multiplexed with chilled counters from the same range.

Grazia

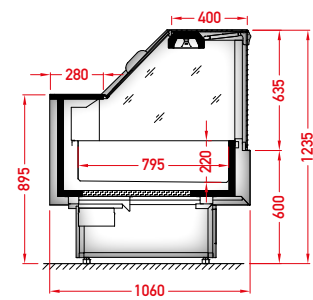
LGGR-28 | BSA GSL



LGGR-28 BSA
Hot-plate



LGGR-28 GSL
Hot-plate



LGGR-28 GSL
Bain-marie

STANDARD FEATURES

- hot cases: Bain Marie / Hot plate
- temperature up to 85°C
- electronic controller with temperature indicator / for Bain Marie additionally a mechanical thermometer at the air inlet
- feature of the heating element – heating plate (for hot case) / heating bath (for Bain Marie)
- lighting panel: IR heating lamp (for GSL)
- exposition: stainless steel H18
- external surfaces (front/base): zinc-plated steel, powder coated
- Sliding back glass doors for GSL
- exposition on a full base

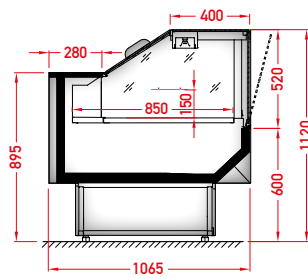
OPTIONS

- PVC floor profiles
- sidewalls
- bumper



Grazia

LGGR-30 | GST



LGGR-30 GST
Hot plate

STANDARD FEATURES

- hot cases: Hot plate
- temperature up to 85°C
- electronic controller with temperature indicator
- feature of the heating element – heating plate (for hot case)
- lighting panel: IR heating lamp
- exposition: stainless steel H18
- external surfaces (front/base): zinc-plated steel, powder coated
- exposition on a full base

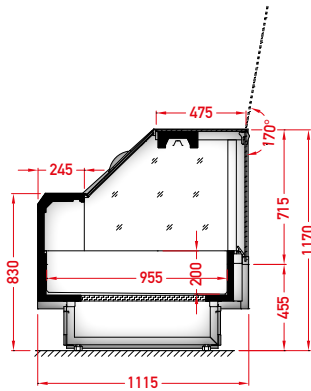
OPTIONS

- PVC floor profiles
- sidewalls
- bumper

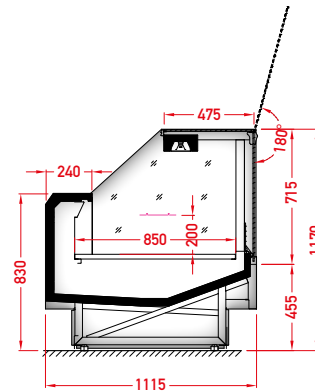


Lhotse

LGLH-37 | GSL



LGLH-37 GSL
Bain-marie



LGLH-37 GSL
Hot-plate

STANDARD FEATURES

- hot cases: Bain Marie/Hot plate
- temperature up to 85°C
- electronic controller with temperature indicator / for Bain Marie additionally a mechanical thermometer at the air inlet
- feature of the heating element – heating plate (for hot case) / heating bath (for Bain Marie)

- lighting panel: IR heating lamp
- exposition: stainless steel H18
- external surfaces (front/base): zinc-plated steel, powder coated
- exposition on a full base

OPTIONS

- PVC floor profiles
- sidewalls
- bumper







LES FROMAGES

PRIX
BAS



CRÈME

A long refrigerated display case filled with various dairy products. The case is divided into several sections, each containing different types of cheese, yogurt, and cream. The products are neatly arranged on shelves. The case is labeled "LES FROMAGES" and "PRIX BAS".

13°C



PRODUITS
PARATIABLES
LEONARDO
TODOS PRODUCTOS
SONT MOINS
CHERS
QU'AU DÉTAIL

LES SAVEURS
DU MONDE

LA CHARCUTERIE

PLUG-IN

MULTIDECKS

PLUG-IN





Our desire for continuous improvement and innovation has led us to develop systems and solutions that reduce environmental impact. That is why we have developed a system that eliminates defrost cycle and lowers the energy use.

Designed for natural (hydrocarbons) refrigerants

R290

R600a

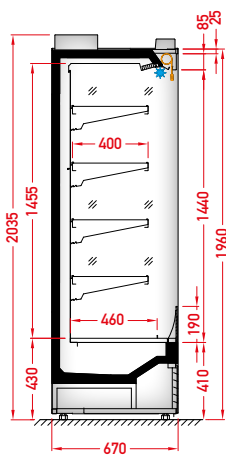
GLOBAL WARMING POTENTIAL (AR4)

3

3

Medium

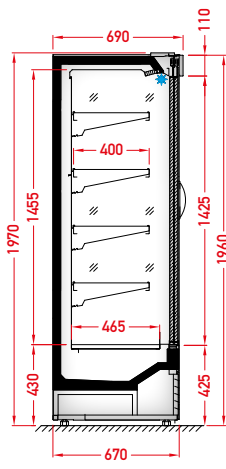
RDME-21 | BSA DDS DVO



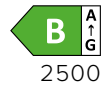
RDME-21 BSA 3M2



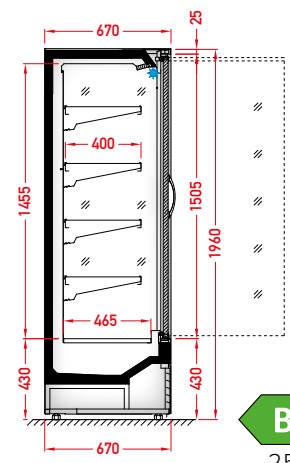
1250



RDME-21 DDS



2500



RDME-21 DVO



2500

STANDARD FEATURES

- working temperature: for DVO/DDS/BSA-II: from 0°C to 2°C; for BSA-I2: from 2°C to 4°C;
- natural defrosting
- automatic evaporation of condensate
- electronic controller with temperature indicator
- exposition: zinc-plated steel, powder coated in white (RAL 9003)
- 4 rows of suspended shelves, on shelves and on air inlet price holders 39 mm
- lighting: top, LEDit
- color of the base black (RAL 9005)
- mechanical night blind for version BSA

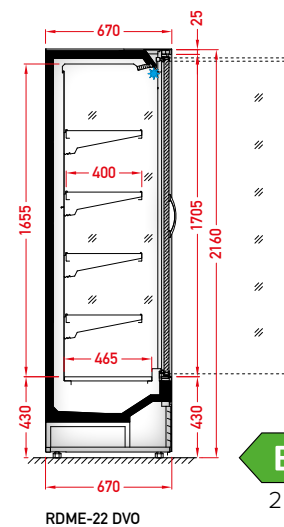
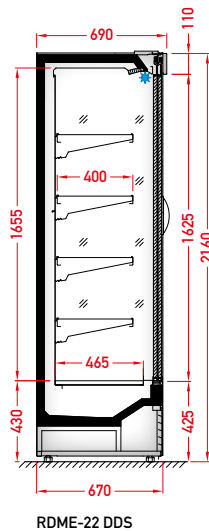
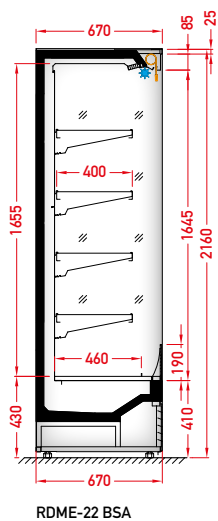
OPTIONS

- sidewalls
- vertical LEDit lighting for DVO
- underlighting shelves LEDit lighting



Medium

RDME-22 | BSA DDS DVO



STANDARD FEATURES

- working temperature: DVO/DDS from 0°C to 2°C; BSA 2°C to 6°C
- natural defrosting
- automatic evaporation of condensate
- electronic controller with temperature indicator
- exposition: zinc-plated steel, powder coated in white (RAL 9003)
- 4 rows of suspended shelves, on shelves and on air inlet price holders 39 mm
- lighting: top, LEDit
- color of the base black (RAL 9005)
- mechanical night blind for version BSA

OPTIONS

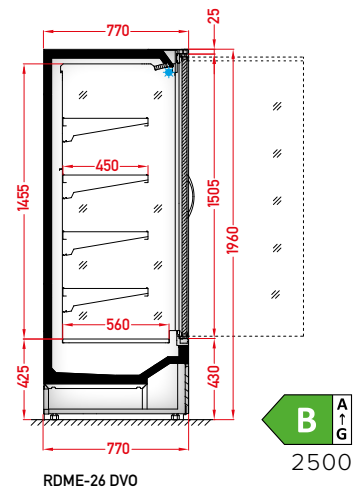
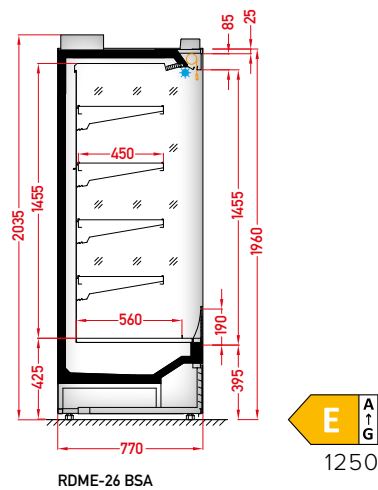
- sidewalls
- vertical LEDit lighting for DVO
- underlighting shelves LEDit lighting



AVAILABLE MODULES	BSA	0900	1250	1600	1875	2500
	DDS	1250	1875			
	DVO	1250	1875	2500		

Medium

RDME-26 | BSA DVO



STANDARD FEATURES

- working temperature: BSA: from 2°C to 4°C, DVO: from 0°C to 2°C
- natural defrosting
- automatic evaporation of condensate
- electronic controller with temperature indicator
- exposition: zinc-plated steel, powder coated in white (RAL 9003)
- 4 rows of suspended shelves, on shelves and on air inlet price holders 39 mm
- lighting: top, LEDit
- color of the base black (RAL 9005)
- mechanical night blind for version BSA

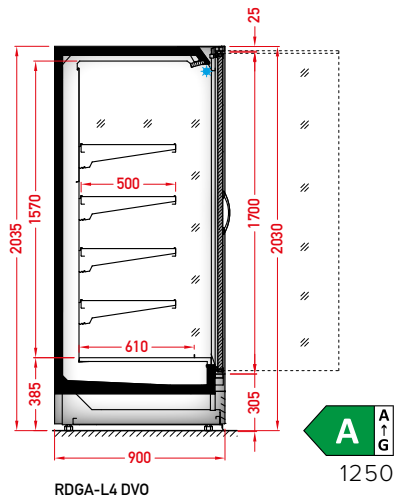
OPTIONS

- sidewalls
- vertical LEDit lighting for DVO
- underlighting shelves LEDit lighting



Garmo

RDGA-L4 | DVO



RDGA-L4 DVO

* single module with glass sidewalls

STANDARD FEATURES

- working temperature: from 0°C to 2°C
- defrosting: I4: hot gas, I3: natural
- automatic evaporation of condensate
- electronic controller with temperature indicator
- exposition: zinc-plated steel, powder coated in white (RAL 9003)
- 4 rows of suspended shelves, on shelves and on air inlet price holders 39 mm
- lighting: top, LEDit,
- color of the base black (RAL 9005)

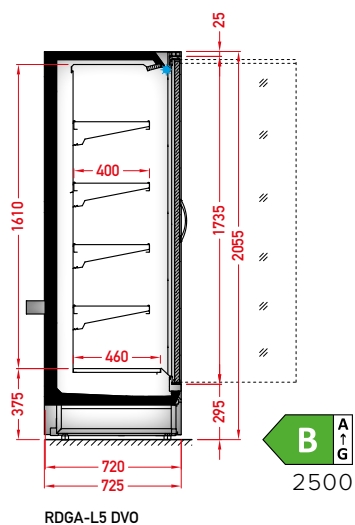
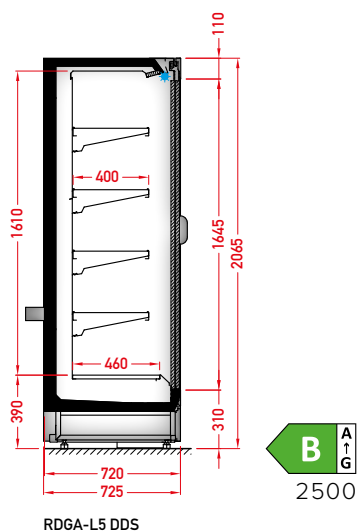
OPTIONS

- sidewalls
- vertical LEDit lighting
- underlighting shelves LEDit lighting



Garmo

RDGA-L5 | DDS DVO



STANDARD FEATURES

- working temperature: from 0°C to 2°C
- hot gas defrosting
- automatic evaporation of condensate
- electronic controller with temperature indicator
- exposition: zinc-plated steel, powder coated in white (RAL 9003)
- 4 rows of suspended shelves, on shelves and on air inlet price holders 39 mm
- lighting: top, LEDit,
- color of the base black (RAL 9005)

OPTIONS

- sidewalls
- vertical LEDit lighting for DVO
- underlighting shelves LEDit lighting





Semi Vertical

MULTIDECKS

PLUG-IN



ITEUR



This range of lower height multidecks has been designed to combine compact size and large display area. This solution provides a variety of options for store layout.

Designed for natural (hydrocarbons) refrigerants


R290


R600a

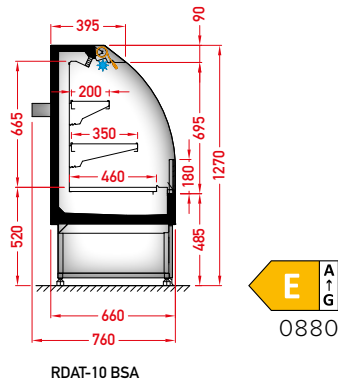
GLOBAL WARMING POTENTIAL (AR4)

3

3

Atlanta

RDAT-10 | BSA



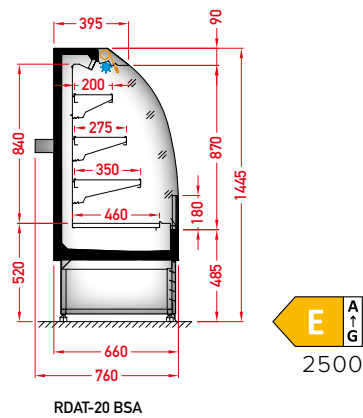
STANDARD FEATURES

- working temperature: from 0°C to 2°C
- natural defrosting
- automatic evaporation of condensate
- electronic controller with temperature indicator
- exposition: zinc-plated steel, powder coated in white (RAL 9003)
- 2 rows of suspended shelves, on shelves and on air inlet price holders 39 mm
- lighting: top, LEDit,
- color of the base black (RAL 9005)
- Integrated sidewalls (perspex)
- mechanical night blind



Atlanta

RDAT-20 | BSA



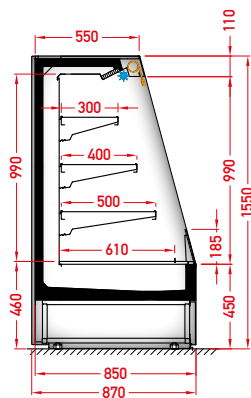
STANDARD FEATURES

- working temperature: from 0°C to 2°C
- natural defrosting
- automatic evaporation of condensate
- electronic controller with temperature indicator
- exposition: zinc-plated steel, powder coated in white (RAL 9003)
- 3 rows of suspended shelves, on shelves and on air inlet price holders 39 mm
- lighting: top, LEDit
- color of the base black (RAL 9005)
- Integrated sidewalls (perspex)
- mechanical night blind



Atlanta

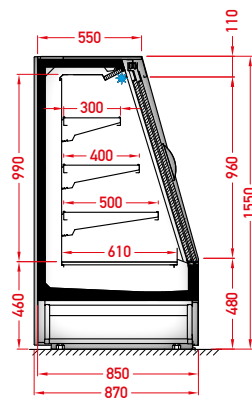
RDAL-N5 | BSA DDS DVO



RDAL-N5 BSA



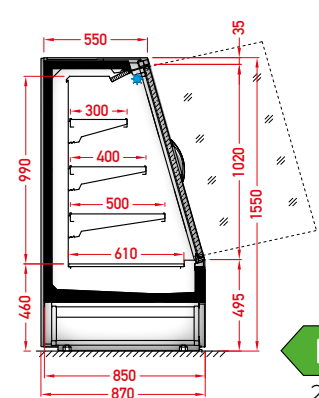
1250



RDAL-N5 DDS



2500



RDAL-N5 DVO



2500

STANDARD FEATURES

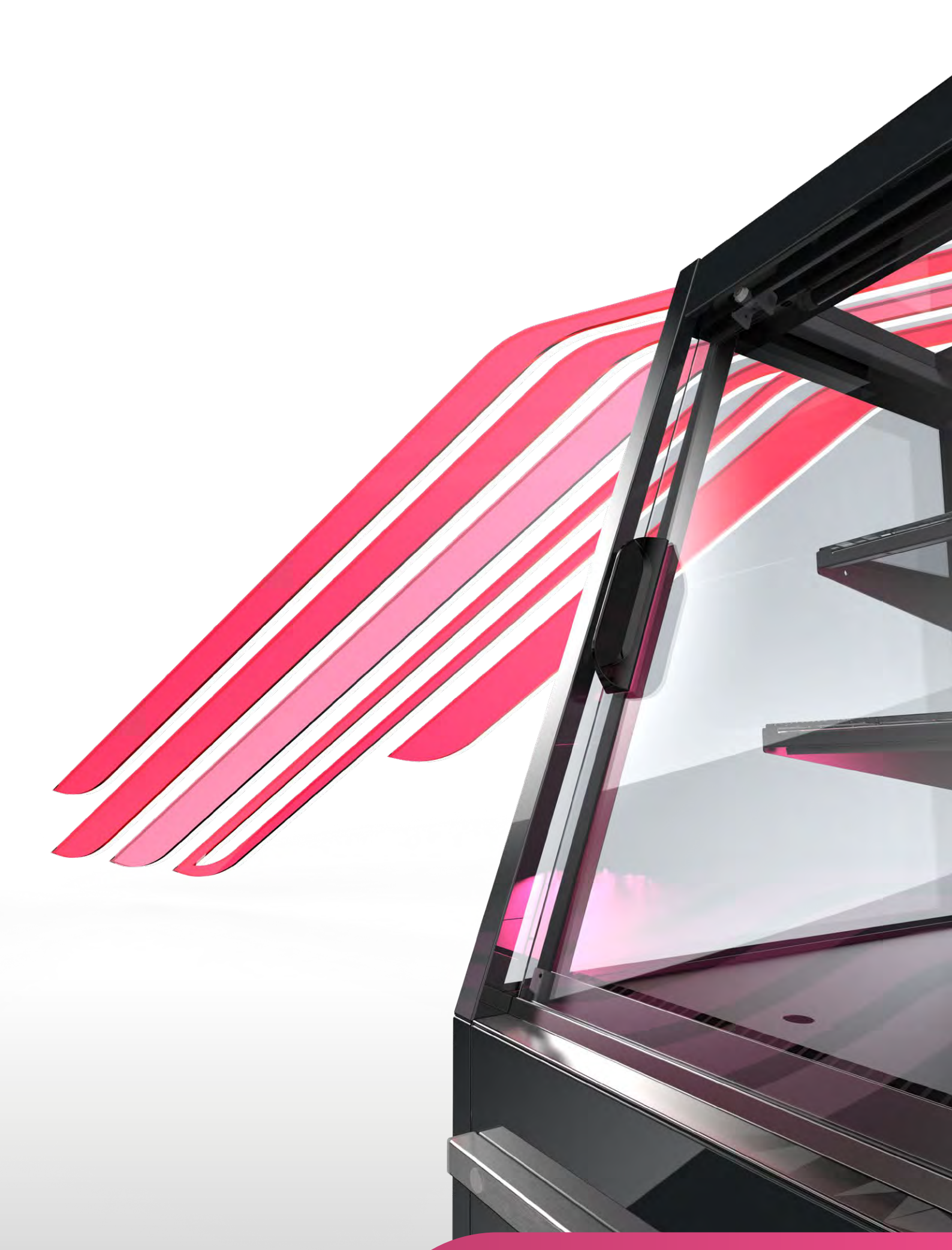
- working temperature: from 0°C to 2°C
- natural defrosting
- automatic evaporation of condensate
- electronic controller with temperature indicator
- exposition: zinc-plated steel, powder coated in white (RAL 9003)
- 3 rows of suspended shelves, on shelves and on air inlet price holders 39 mm
- lighting: top, LEDit,
- color of the base black (RAL 9005)
- mechanical night blind for BSA version

OPTIONS

- sidewalls
- vertical LEDit Lighting for DVO
- underlighting shelves LEDit lighting
- bumper



BSA	1250	1875	2500
DDS	1250	1875	2500
DVO	1250	1875	2500





ISLANDS

PLUG-IN



These are best adapted for spaces, where you do not want to obscure the view. We constantly improve the design of our equipment and we managed to create better side visibility, easier combining into lines, better service access for some parts and better design capabilities with painted vertical corner profiles.

Designed for natural
(hydrocarbons) refrigerants

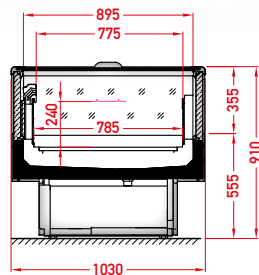
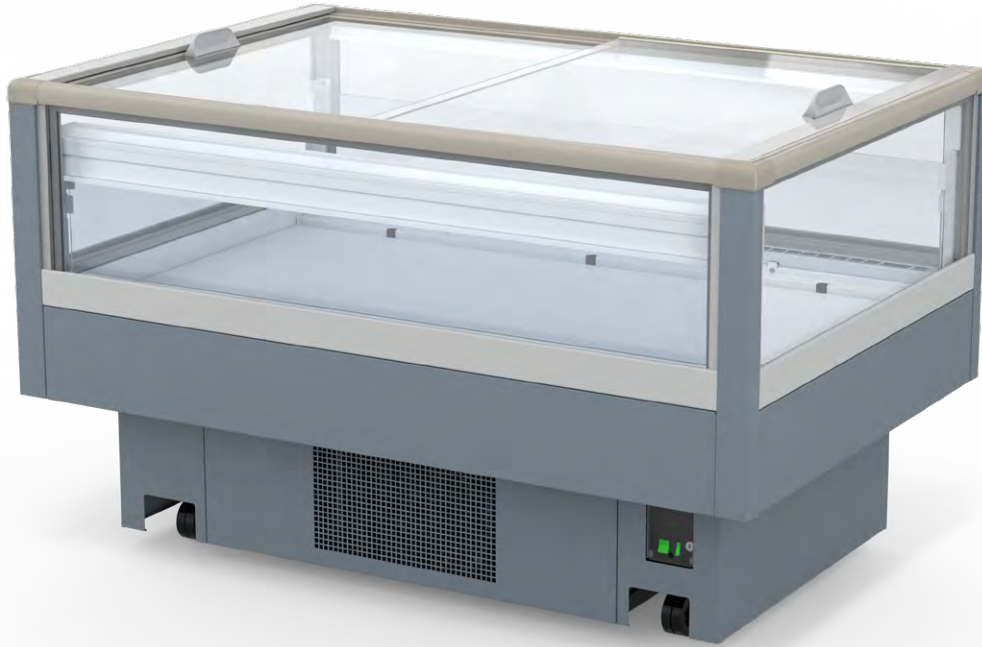


GLOBAL WARMING
POTENTIAL (AR4)



Pamir

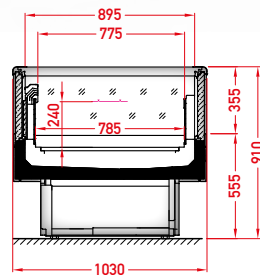
WNPR-04 | CSS XXX



WNPR-04 CSS



1230



WNPR-04 XXX



1230

STANDARD FEATURES

- working temperature: from -25°C to -21°C
- hot gas defrosting
- automatic evaporation of condensate
- electronic controller with temperature indicator
- exposition: zinc-plated steel, powder coated in white (RAL 9003)
- thermopane glass
- color of the base black (RAL 9005)
- sidewalls integrated
- night cover for version XXX

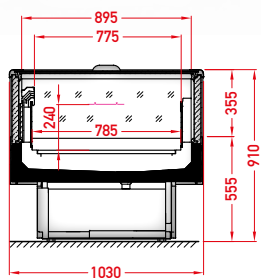
OPTIONS

- bumper
- LEDit lighting



Pamir

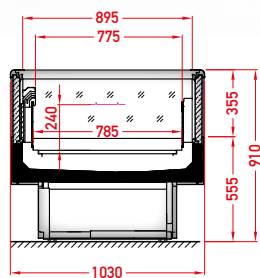
WDPR-04 | CSS XXX



WDPR-04 CSS



1530



WDPR-04 XXX



1530

STANDARD FEATURES

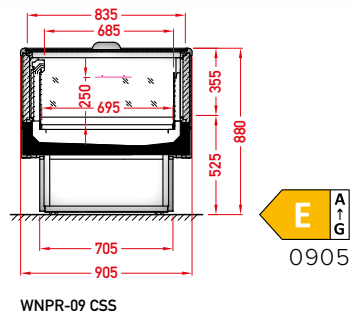
- working temperature: from 0°C to 2°C
- hot gas defrosting for modules 1530/2530 CSS; electrical defrosting for modules 2030 CSS/ all XXX
- automatic evaporation of condensate
- electronic controller with temperature indicator
- exposition: zinc-plated steel, powder coated in white (RAL 9003)
- thermopane glass
- color of the base black (RAL 9005)
- sidewalls integrated

OPTIONS

- bumper
- LEDit lighting



Pamir WNPR-09 | CSS



STANDARD FEATURES

- working temperature: from -25°C to -21°C
- hot gas defrosting
- automatic evaporation of condensate
- electronic controller with temperature indicator
- exposition: zinc-plated steel, powder coated in white (RAL 9003)
- thermopane glass
- color of the base black (RAL 9005)
- sidewalls integrated

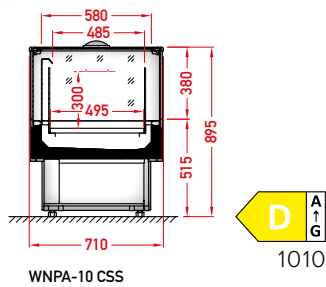
OPTIONS

- bumper
- LEDit lighting



Pamir

WNPA-10 | CSS



STANDARD FEATURES

- working temperature: from -25°C to -21°C
- hot gas defrosting
- automatic evaporation of condensate
- electronic controller with temperature indicator
- exposition: zinc-plated steel, powder coated in white (RAL 9003)
- thermopane glass
- color of the base black (RAL 9005)
- sidewalls integrated

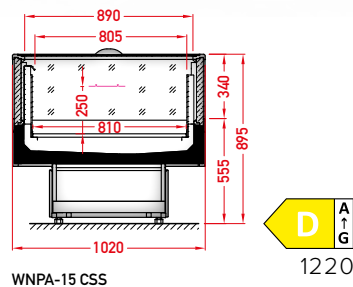
OPTIONS

- bumper
- LEDit lighting



Pamir

WNPA-15 | CSS



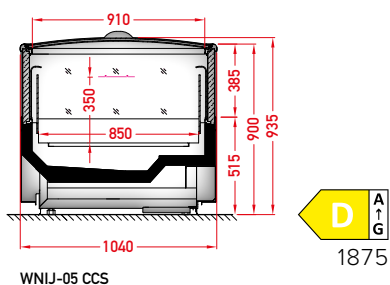
STANDARD FEATURES

- working temperature: from -25°C to -21°C
- hot gas defrosting
- automatic evaporation of condensate
- electronic controller with temperature indicator
- exposition: zinc-plated steel, powder coated in white (RAL 9003)
- thermopane glass
- color of the base black (RAL 9005)
- sidewalls integrated

OPTIONS

- bumper
- LEDit lighting





STANDARD FEATURES

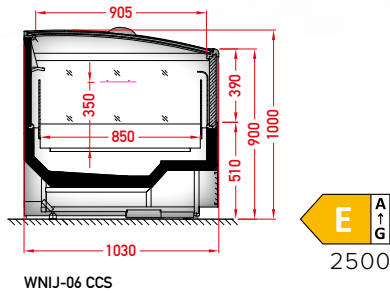
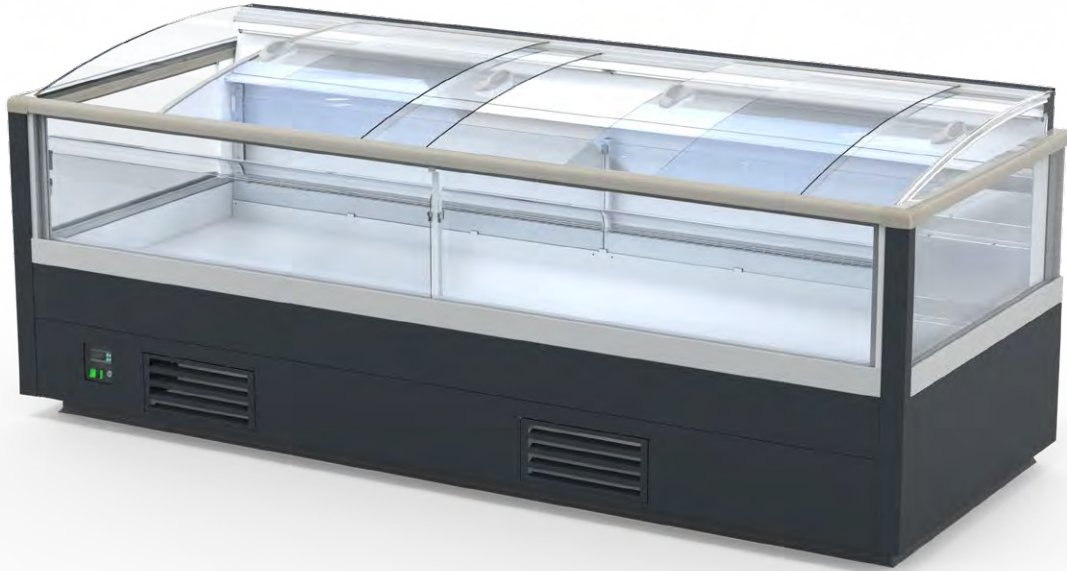
- working temperature: from -25°C to -21°C
- hot gas defrosting
- automatic evaporation of condensate
- electronic controller with temperature indicator
- exposition: zinc-plated steel, powder coated in white (RAL 9003)
- thermopane glass (4 side glass)
- color of the base black (RAL 9005)
- sidewalls integrated

OPTIONS

- sidewalls
- LEDit lighting



Imja
WNIJ-06 | CCS



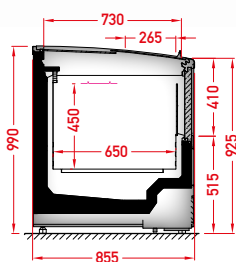
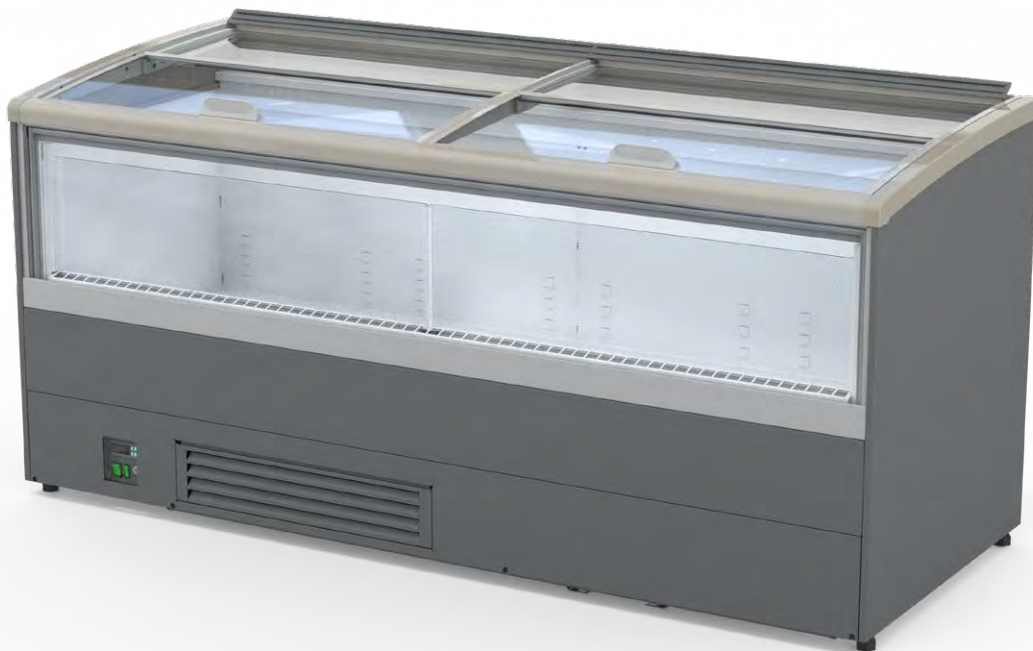
STANDARD FEATURES

- working temperature: from -25°C to -21°C
- hot gas defrosting
- automatic evaporation of condensate
- electronic controller with temperature indicator
- exposition: zinc-plated steel, powder coated in white (RAL 9003)
- thermopane glass (3 side glass)
- color of the base black (RAL 9005)
- in module 2150G sidewalls integrated

OPTIONS

- sidewalls
- LEDit lighting





WNIJ-07 CCP



STANDARD FEATURES

- working temperature: from -25°C to -21°C
- hot gas defrosting
- automatic evaporation of condensate
- electronic controller with temperature indicator
- exposition: zinc-plated steel, powder coated in white (RAL 9003)
- thermopane glass
- color of the base black (RAL 9005)
- flat front bumper; in module TG flat front and side bumper
- full sidewalls integrated

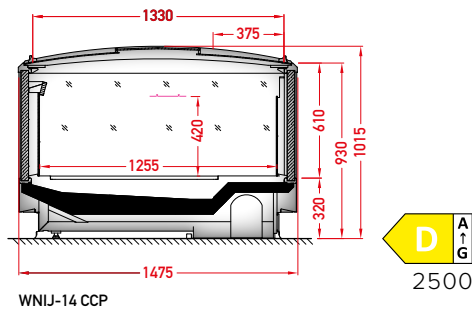
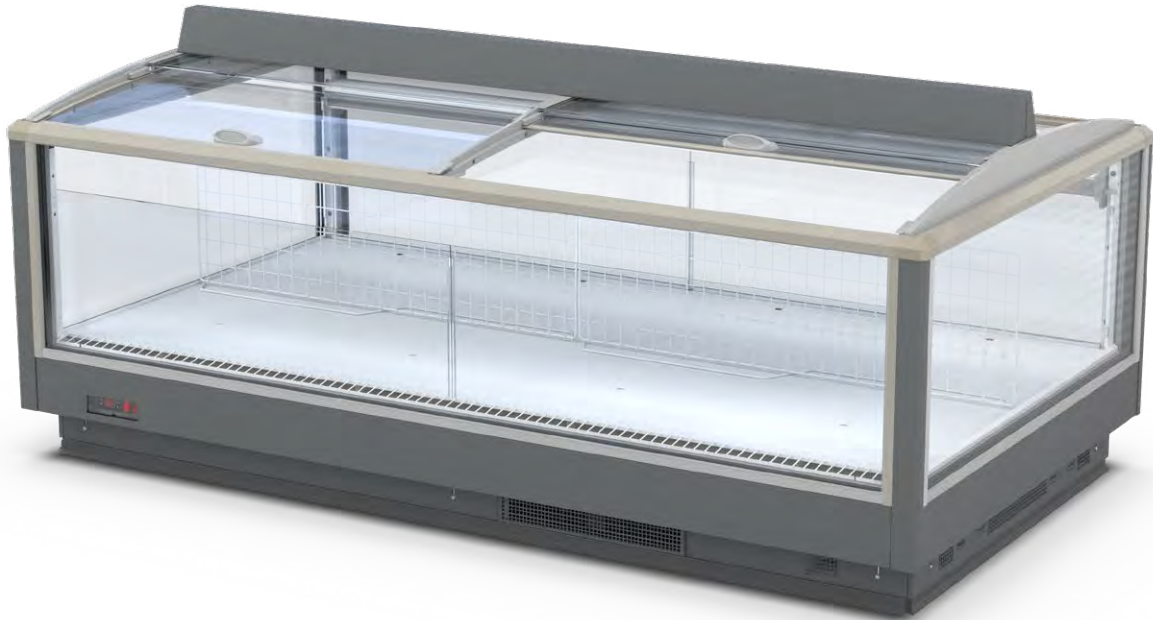
OPTIONS

- LEDit lighting



Imja

WNIJ-14 | CCP



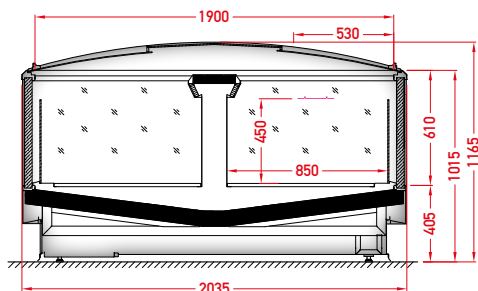
STANDARD FEATURES

- working temperature: from -25°C to -21°C
- electrical defrosting
- automatic evaporation of condensate
- electronic controller with temperature indicator
- exposition: zinc-plated steel, powder coated in white (RAL 9003)
- color of the base black (RAL 9005)

OPTIONS

- sidewalls
- LEDit lighting

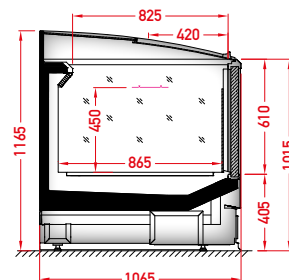




WNEL-17 CCP



3750



WNEL-17-1895G CCP



1895G

STANDARD FEATURES

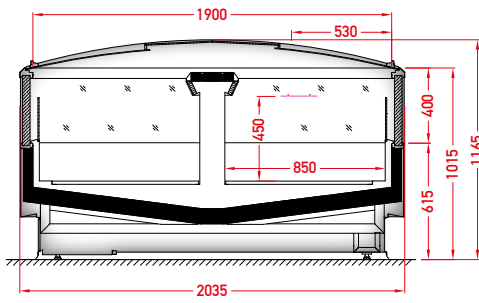
- working temperature: from -25°C to -21°C
- defrosting: electrical, hot gas for 1895G
- automatic evaporation of condensate
- electronic controller with temperature indicator
- exposition: zinc-plated steel, powder coated in white (RAL 9003)
- thermopane glass (4 side glass)
- color of the base black (RAL 9005)
- WNEL-17-1895G sidewalls integrated

OPTIONS

- sidewalls
- LEDit lighting



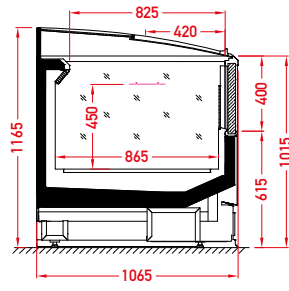
Elbrus WNEL-27 | CCP



WNEL-27 CCP



2500



WNEL-27-1895G CCP



1895G

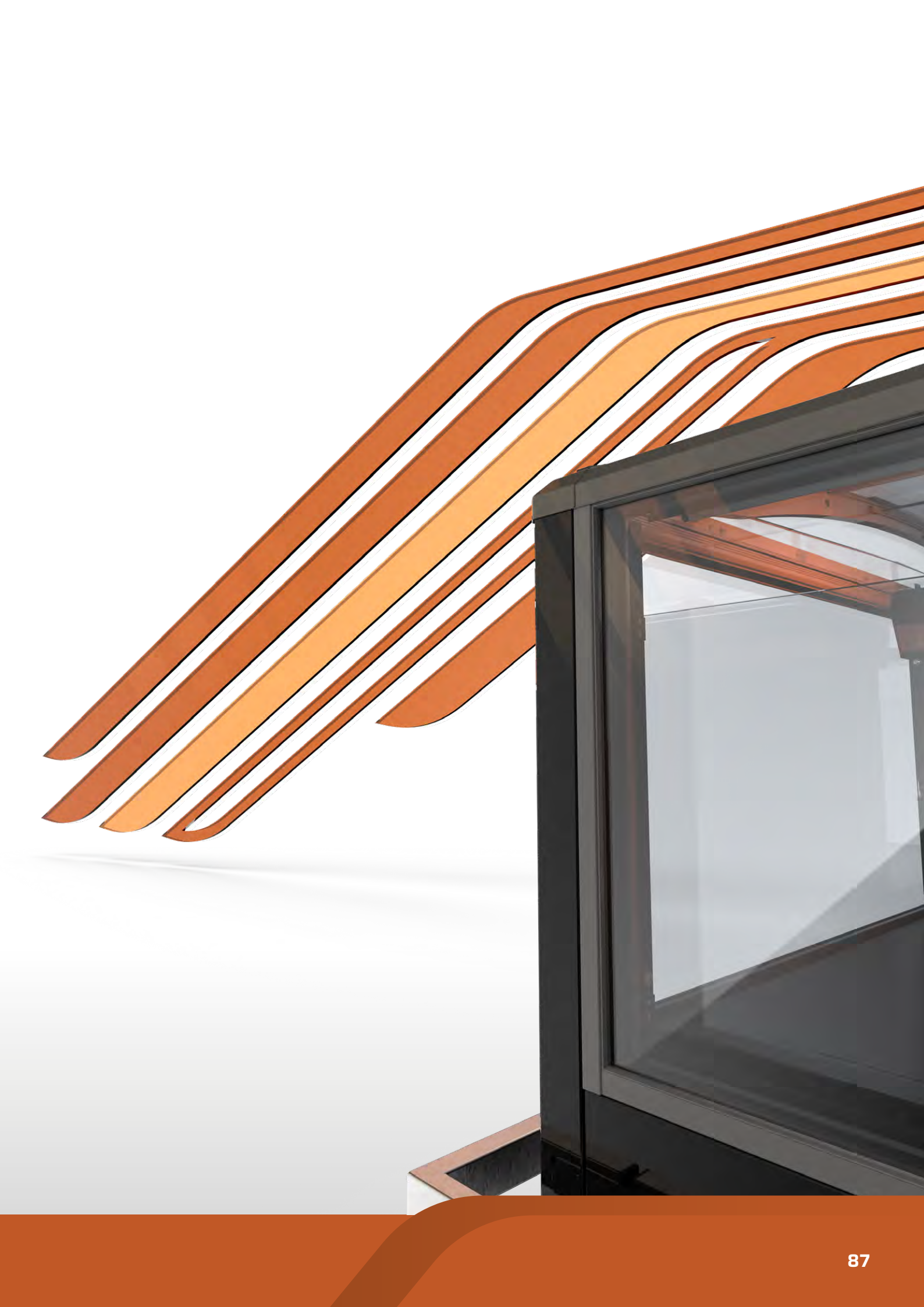
STANDARD FEATURES

- working temperature: from -25°C to -21°C
- defrosting: electrical, hot gas for 1895G
- automatic evaporation of condensate
- electronic controller with temperature indicator
- exposition: zinc-plated steel, powder coated in white (RAL 9003)
- thermopane glass (4 side glass)
- color of the base black (RAL 9005)
- WNEL-17-1895G sidewalls integrated

OPTIONS

- sidewalls
- LEDit lighting





JBG2

CABINETS

PLUG-IN





LES SURGELÉS

It is typically people with busy lifestyles who are shopping for frozen products. Good arrangement of a store can save a lot of time while shopping. That is why design of our cabinets is about good visibility and ergonomics. Easy to choose – easy to reach.

Designed for natural (hydrocarbons) refrigerants


R290


R600a

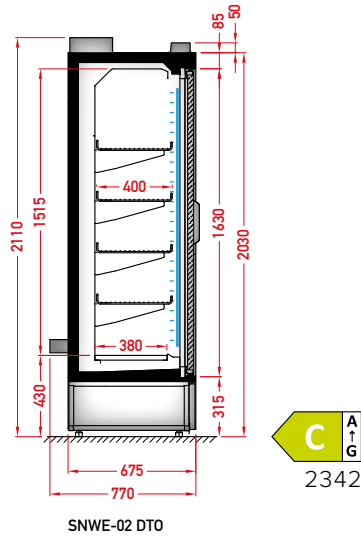
GLOBAL WARMING POTENTIAL (AR4)

3

3

Wetar

SNWE-02 | DTO



STANDARD FEATURES

- working temperature: from -25°C to -21°C
- electrical defrosting
- automatic evaporation of condensate
- electronic controller with temperature indicator
- exposition: zinc-plated steel, powder coated in white (RAL 9003)
- 4 rows of suspended shelves, on shelves and on air inlet price holders 39 mm
- lighting: vertical LEDit
- framed doors without heaters

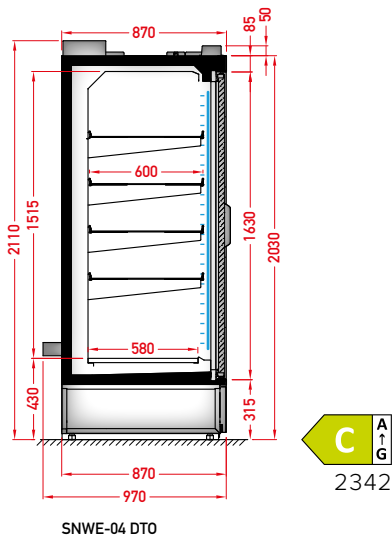
OPTIONS

- sidewalls



Wetar

SNWE-04 | DTO



STANDARD FEATURES

- working temperature: from -25°C to -21°C
- electrical defrosting
- automatic evaporation of condensate
- electronic controller with temperature indicator
- exposition: zinc-plated steel, powder coated in white (RAL 9003)
- 4 rows of suspended shelves, on shelves and on air inlet price holders 39 mm
- lighting: vertical LEDit
- framed doors without heaters

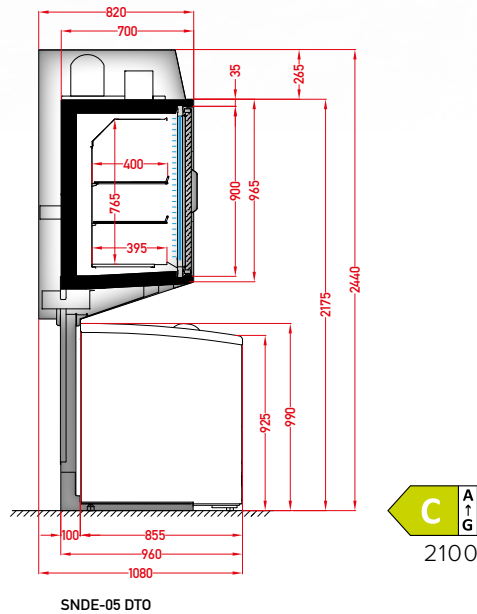
OPTIONS

- sidewalls



Denali

SNDE-05 | DTO



STANDARD FEATURES

- working temperature: from -25°C to -21°C
- electrical defrosting
- automatic evaporation of condensate
- electronic controller with temperature indicator
- exposition: zinc-plated steel, powder coated in white (RAL 9003)
- 2 rows of suspended shelves, on shelves and on air inlet price holders 39 mm
- lighting: vertical LEDit
- framed doors without heaters
- sidewalls integrated





PROMOTION

PLUG-IN





Promotional equipment places your products within arm's reach. They are designed to improve impulse purchase, combining small size with huge selling power. Good product display, high mobility and clever design of equipment, makes promotions more effective.

**Designed for natural
(hydrocarbons) refrigerants**

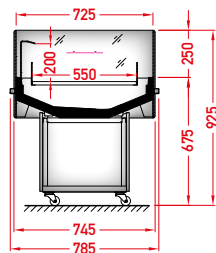
**GLOBAL WARMING
POTENTIAL (AR4)**


R290


R600a

3

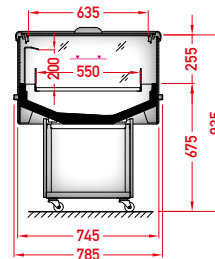
3



LDFI-13 BSA



0900



LDFI-13 CSS

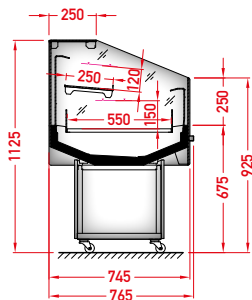


0900

STANDARD FEATURES

- working temperature: CSS from 0°C to 2°C; BSA from 2°C to 4°C
- electrical defrosting
- automatic evaporation of condensate
- electronic controller with temperature indicator
- exposition: zinc-plated steel, powder coated in white (RAL 9003)
- inox square bumper 25 x 25 mm
- color of the base black (RAL 9005)
- sidewalls glass with black/ grey silk screen painting
- on wheels

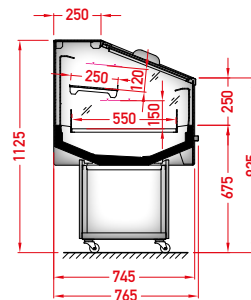




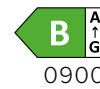
LDFI-14 BSA



0900



LDFI-14 CSS

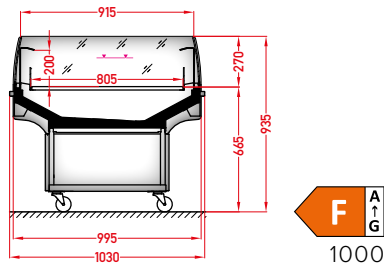


0900

STANDARD FEATURES

- working temperature: from 2°C to 4°C for BSA, from 0°C to 2°C for CSS
- electrical defrosting
- automatic evaporation of condensate
- electronic controller with temperature indicator
- exposition: zinc-plated steel, powder coated in white (RAL 9003)
- inox square bumper 25 x 25 mm
- color of the base black (RAL 9005)
- sidewalls glass with black/ grey silk screen painting
- on wheels



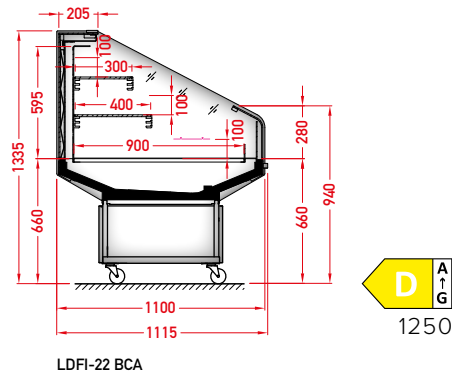


LDFI-21 BCA

STANDARD FEATURES

- working temperature: from 0°C to 2°C
- electrical defrosting
- automatic evaporation of condensate
- electronic controller with temperature indicator
- exposition: zinc-plated steel, powder coated in white (RAL 9003)
- inox square bumper 25 x 25 mm
- color of the base black (RAL 9005)
- sidewalls glass with black/ grey silk screen painting
- on wheels

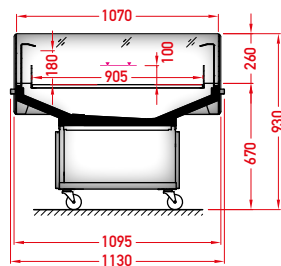




STANDARD FEATURES

- working temperature: from 2°C to 4°C
- electrical defrosting
- automatic evaporation of condensate
- electronic controller with temperature indicator
- exposition: zinc-plated steel, powder coated in white (RAL 9003)
- 2 glass shelves
- inox square bumper 25 x 25 mm
- color of the base black (RAL 9005)
- sidewalls, back and air flow channels made of perspex
- on wheels

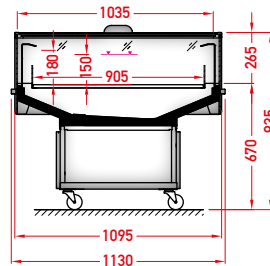




LDFI-25 BSA



1250



LDFI-25 CSS

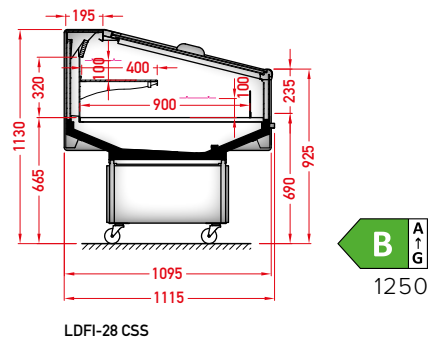
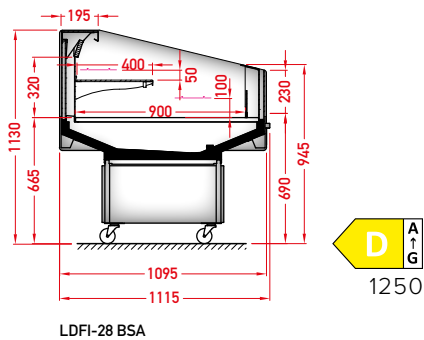


1250

STANDARD FEATURES

- working temperature: from 0°C to 2°C
- electrical defrosting
- automatic evaporation of condensate
- electronic controller with temperature indicator
- exposition: zinc-plated steel, powder coated in white (RAL 9003)
- inox square bumper 25 x 25 mm
- color of the base black (RAL 9005)
- sidewalls: integrated glass with black/grey silk screen painting
- on wheels





STANDARD FEATURES

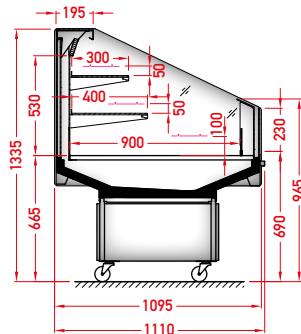
- working temperature: from 0°C to 2°C
- electrical defrosting
- automatic evaporation of condensate
- electronic controller with temperature indicator
- exposition: zinc-plated steel, powder coated in white (RAL 9003)
- inox square bumper 25 x 25 mm
- color of the base black (RAL 9005)
- sidewalls glass with black/ grey silk screen painting
- on wheels

OPTIONS

- LEDit lighting
- manual night blind for BSA



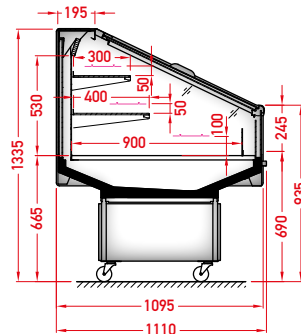
Fiji
LDFI-29 | BSA CSS



LDFI-29 BSA



1600



LDFI-29 CSS

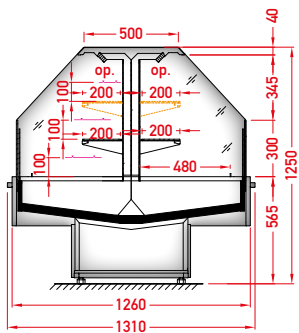


1600

STANDARD FEATURES

- working temperature: from 0°C to 2°C for CSS, from 2°C to 4°C for BSA
- electrical defrosting
- automatic evaporation of condensate
- electronic controller with temperature indicator
- exposition: zinc-plated steel, powder coated in white (RAL 9003)
- inox square bumper 25 x 25 mm
- color of the base black (RAL 9005)
- sidewalls glass with black/ grey silk screen painting
- on wheels
- LEDit lighting
- manual night blind for BSA

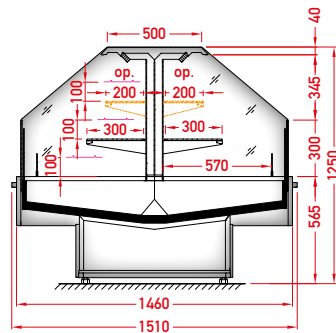




LDFI-30 BSA



2500



LDFI-31 BSA



2500

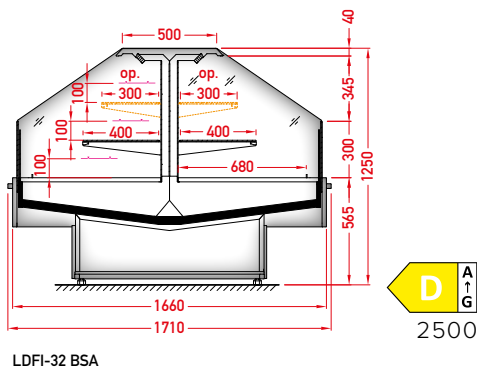
STANDARD FEATURES

- double devices (two evaporators)
- working temperature: from 2°C to 4°C
- electrical defrosting
- automatic evaporation of condensate
- electronic controller with temperature indicator
- exposition: zinc-plated steel, powder coated in white (RAL 9003)
- 1 row of shelves
- inox square bumper 25 x 25 mm
- color of the base black (RAL 9005)sidewalls glass

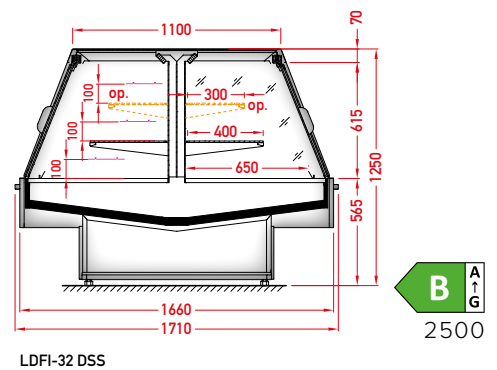
OPTIONS

- LEDit lighting
- manual night blind for BSA





LDFI-32 BSA



LDFI-32 DDS

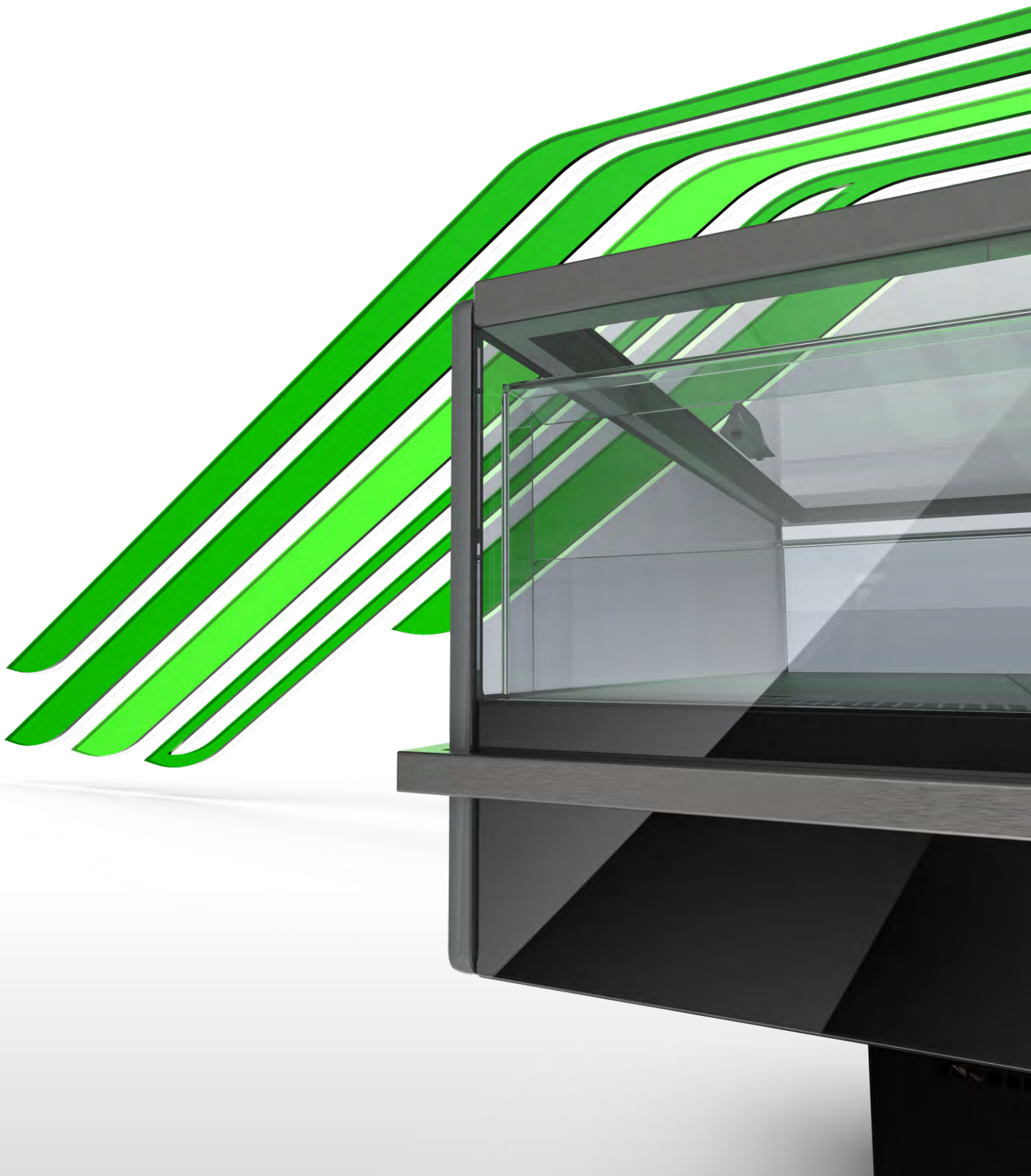
STANDARD FEATURES

- double devices (two evaporators)
- working temperature: BSA from 2°C to 4°C, DDS from 0°C to 2°C
- electrical defrosting
- automatic evaporation of condensate
- electronic controller with temperature indicator
- exposition: zinc-plated steel, powder coated in white (RAL 9003)
- 1 row of shelves
- inox square bumper 25 x 25 mm
- color of the base black (RAL 9005)sidewalls glass

OPTIONS

- LEDit lighting
- manual night blind for BSA





PASTRY LINE

PLUG-IN

Brotwaren





Celebrating special occasions. Birthday cake for your toddler. Sweet surprise for your sweetheart. Christmas cake, glazed gingerbreads, treats for special moments. Display of these special goods must be perfect. That's why our pastry line is an elegant combination of perfect lighting, transparent clear glass and elegant design.

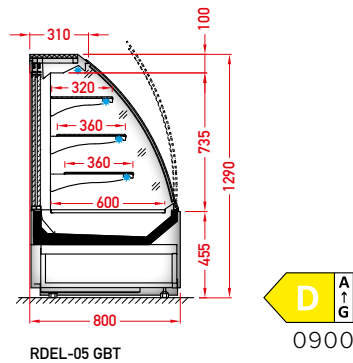
**Designed for natural
(hydrocarbons) refrigerants**



**GLOBAL WARMING
POTENTIAL (AR4)**



Elegant RDEL-05 | GBT

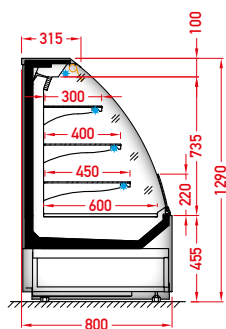


STANDARD FEATURES

- working temperature – straight modules from 0°C to 2°C; corner NW45 from 2°C to 4°C; corner NZ45 from 4°C to 8°C
- electrical defrosting
- automatic evaporation of condensate
- electronic controller with temperature indicator
- exposition: 3 suspended glass shelves + bottom made of powder coated, zinc-coated metal plate
- shelves support and bottom shelf in grey color RAL 7004
- back doors, sliding, double glazed (in corner and 0600 modules hinged door)
- lighting – top and each shelf –LEDit
- sidewalls integrated with thermopane glass, with silk-screen painting



Elegant RDEL-06 | BCA



RDEL-06 BCA



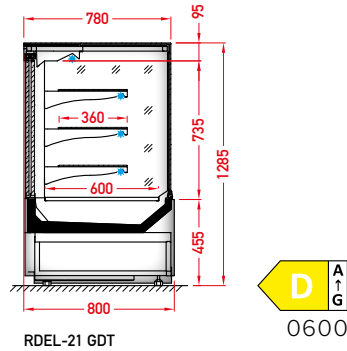
0900

STANDARD FEATURES

- working temperature: from 2°C to 4°C
- electrical defrosting
- automatic evaporation of condensate
- electronic controller with temperature indicator
- exposition: 3 suspended glass shelves + bottom made of powder coated, zinc-coated metal plate
- shelves support and bottom shelf in grey color RAL 7004
- lighting – top and each shelf –LEDit
- sidewalls integrated with thermopane glass, with silk-screen painting
- mechanical night blind



Elegant RDEL-21 | GDT

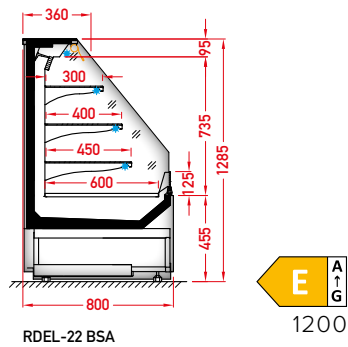


STANDARD FEATURES

- working temperature – straight modules from 2°C to 4°C; corner NZ45 from 2°C to 4°C; corner NZ90 from 4°C to 8°C;
- electrical defrosting
- automatic evaporation of condensate
- electronic controller with temperature indicator
- exposition: 3 suspended glass shelves + bottom made of powder coated, zinc-coated metal plate
- shelves support and bottom shelf in grey color RAL 7004
- back doors, sliding, double glazed (in corner and 0600 modules hinged door)
- lighting – top and each shelf –LEDit
- sidewalls integrated with thermopane glass, with silk-screen painting



Elegant RDEL-22 | BSA



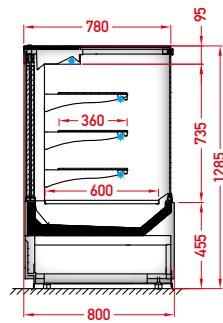
STANDARD FEATURES

- working temperature: from 2°C to 4°C
- electrical defrosting
- automatic evaporation of condensate
- electronic controller with temperature indicator
- exposition: 3 suspended glass shelves + bottom made of powder coated, zinc-coated metal plate
- shelves support and bottom shelf in grey color RAL 7004
- lighting – top and each shelf –LEDit
- sidewalls integrated with thermopane glass, with silk-screen painting
- mechanical night blind



Etna

RDET-21 | GST



RDET-21 GST



1400

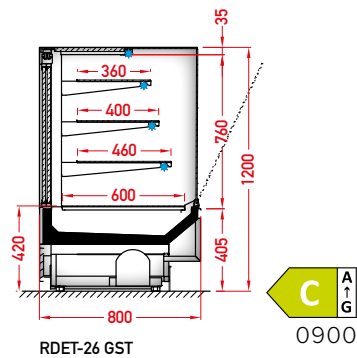
STANDARD FEATURES

- working temperature: from 4°C to 8°C
- electrical defrosting
- automatic evaporation of condensate
- electronic controller with temperature indicator
- exposition: 3 suspended glass shelves + bottom made of powder coated, zinc-coated metal plate
- shelves support and bottom shelf in grey color RAL 7004
- back doors, sliding, double glazed
- lighting – top and each shelf –LEDit
- sidewalls integrated glass, with silk-screen painting



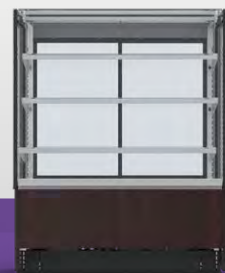
Etna

RDET-26 | GST



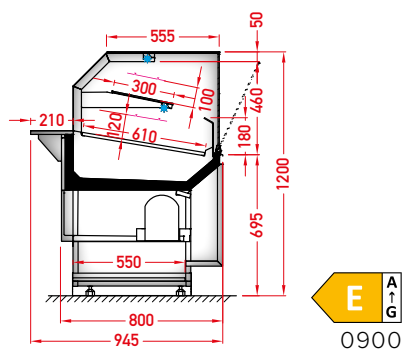
STANDARD FEATURES

- working temperature: from 4°C to 8°C
- natural defrosting
- automatic evaporation of condensate
- electronic controller with temperature indicator
- exposition: 3 suspended glass shelves + bottom made of powder coated, zinc-coated metal plate
- shelves support and bottom shelf in grey color RAL 9005
- back doors, sliding, double glazed
- lighting – top and each shelf –LEDit
- sidewalls integrated glass, with silk-screen painting RAL9005
- Custom-Built shocase



Etna

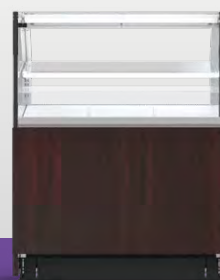
RDET-27 | GST

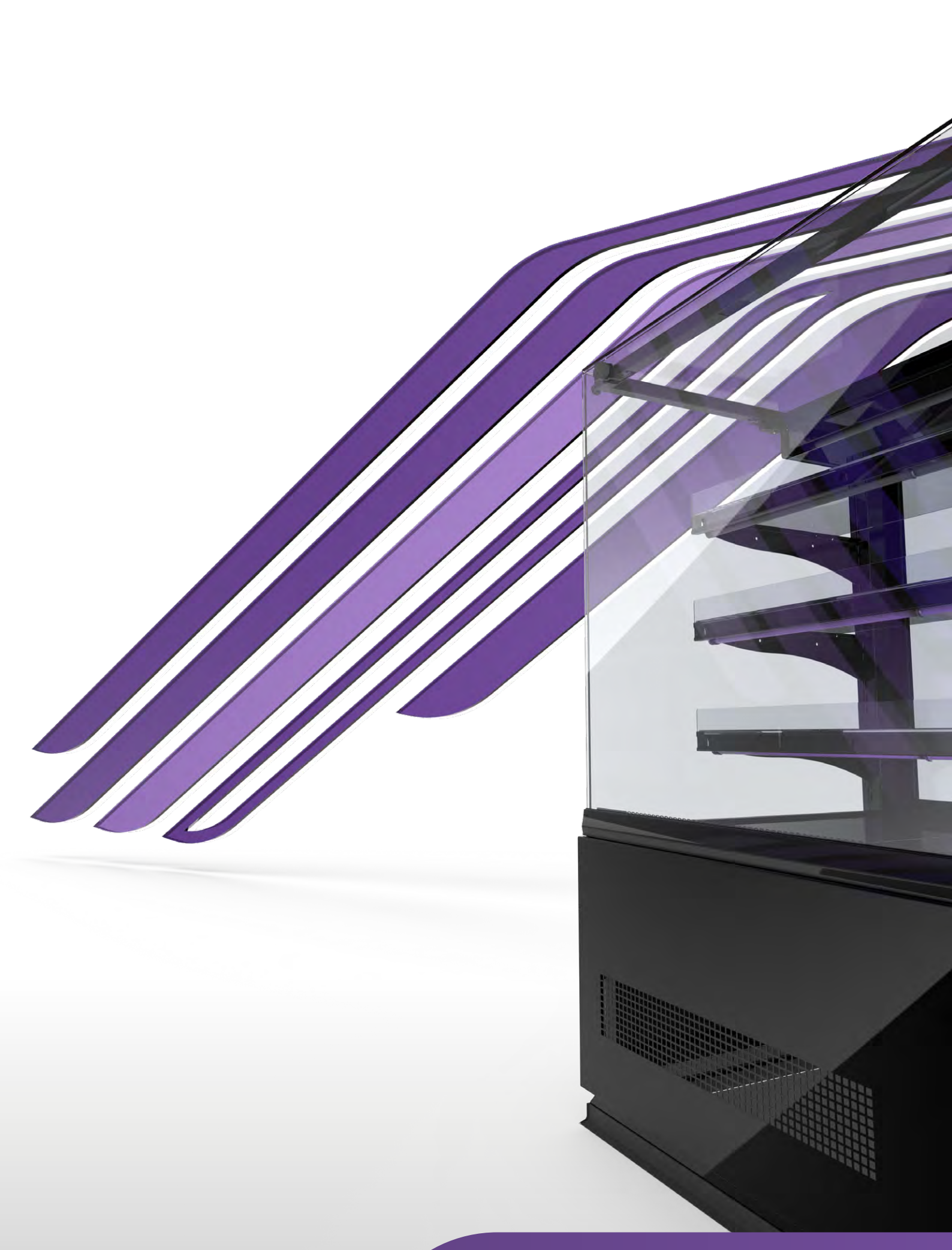


RDET-27 GST

STANDARD FEATURES

- working temperature: from 4°C to 8°C
- natural defrosting
- automatic evaporation of condensate
- electronic controller with temperature indicator
- exposition: 1 suspended glass shelf + bottom made of powder coated, zinc-coated metal plate
- shelves support and bottom shelf in grey color RAL 9005
- back doors, sliding, double glazed
- lighting – top and each shelf –LEDit
- sidewalls integrated glass, with silk-screen painting RAL9005
- Custom-Built shocase





COUNTERS

PLUG-IN



Le côté traditionnel



We focus not only on the display of the product, but also ergonomic and multifunctional use. We have created better conditions for product storage, easier cleaning and flexibility in changing the product from with service to self-service.

**Designed for natural
(hydrocarbons) refrigerants**



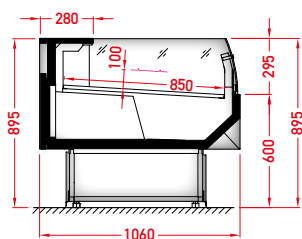
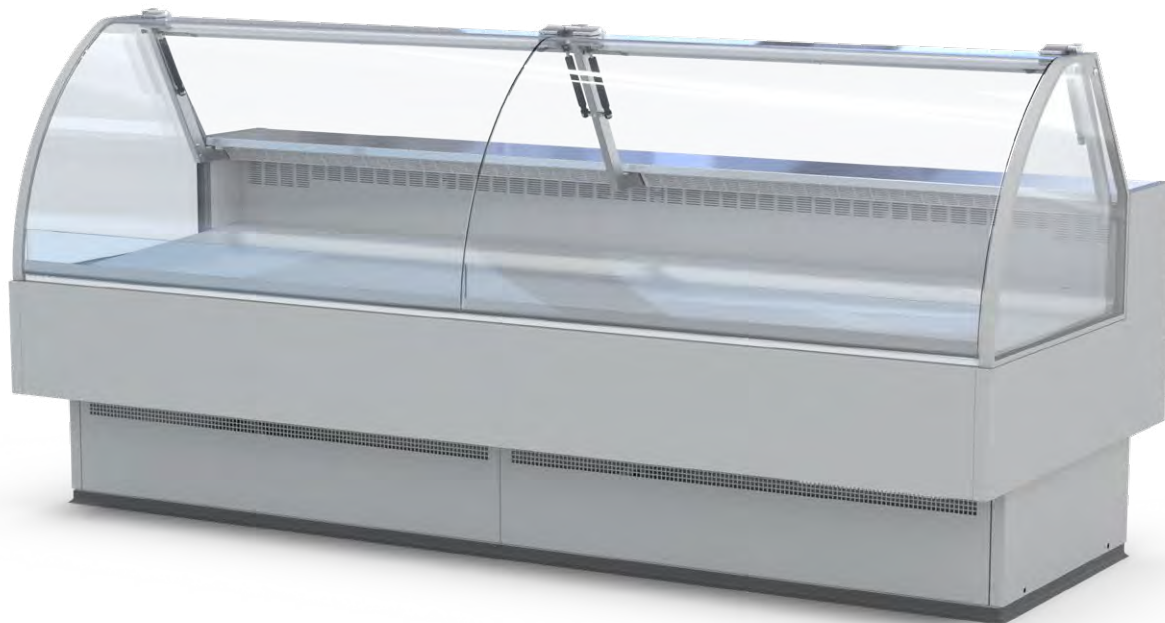
**GLOBAL WARMING
POTENTIAL (AR4)**

3

3

Grazia

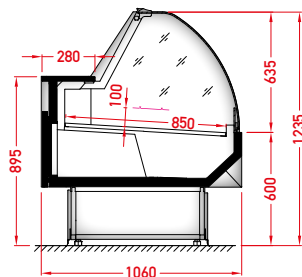
LDGR-08 | BCA GCL



LDGR-08 BCA



1250



LDGR-08 GCL



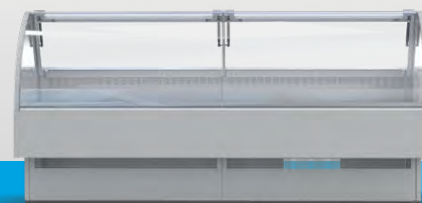
1250

STANDARD FEATURES

- working temperature – straight module and corners from 0°C to 2°C
- electrical defrosting
- automatic evaporation of condensate
- electronic controller with temperature indicator
- back doors – quantity according to the module
- exposition: zinc-plated steel, powder coated in white (RAL 9003)
- storage: steel coated in grey
- worktop: linen stainless steel
- color of the base black (RAL 9005)
- perspex covers – 1250, 1875, 2500, 3750

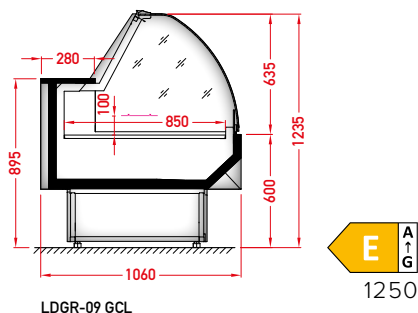
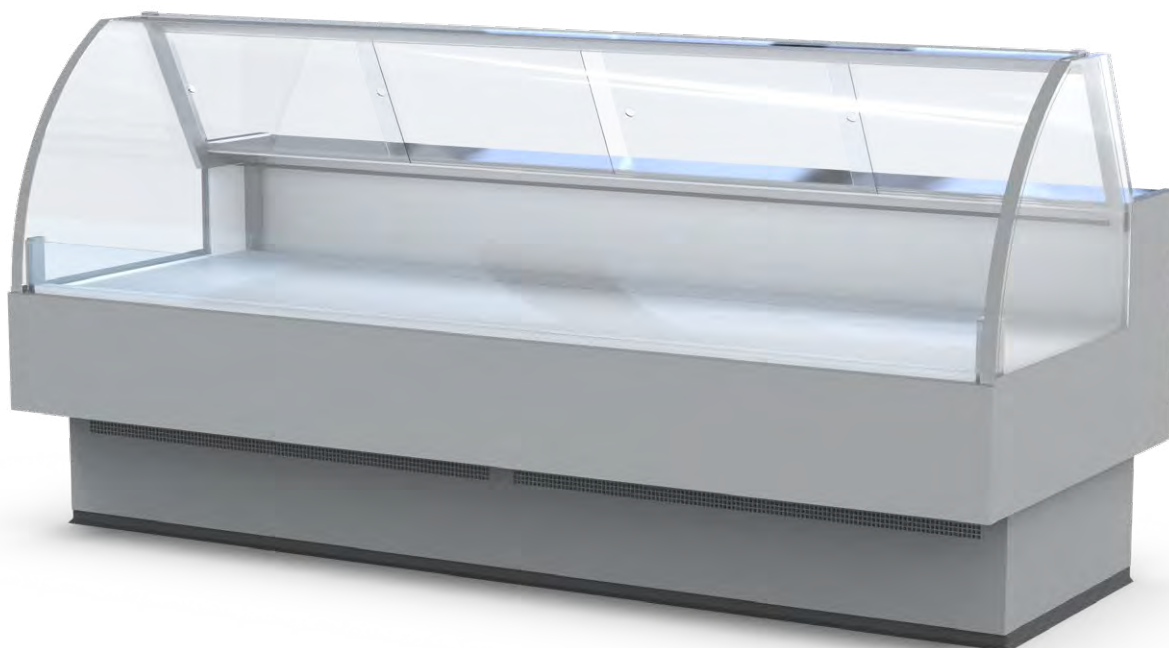
OPTIONS

- lighting – LEDit (top)
- PVC floor profiles
- sidewalls
- bumper



Grazia

LDGR-09 | GCL



STANDARD FEATURES

- working temperature – straight module and corners from 0°C to 2°C
- electrical defrosting
- automatic evaporation of condensate
- electronic controller with temperature indicator
- exposition: zinc-plated steel, powder coated in white (RAL 9003)
- worktop: linen stainless steel
- color of the base black (RAL 9005)
- perspex covers – 1250, 1875, 2500, 3750

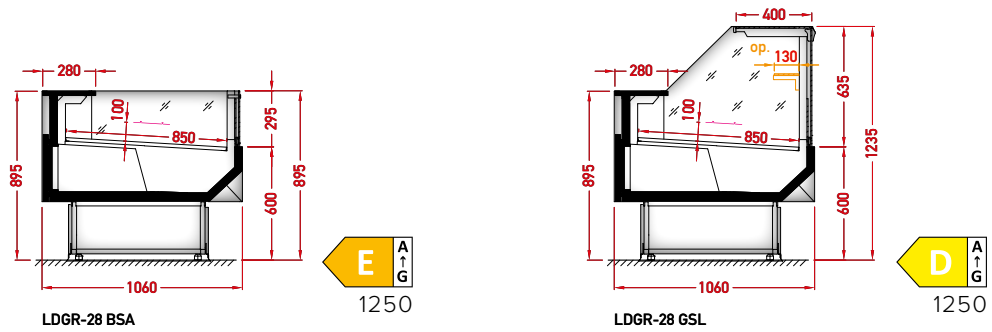
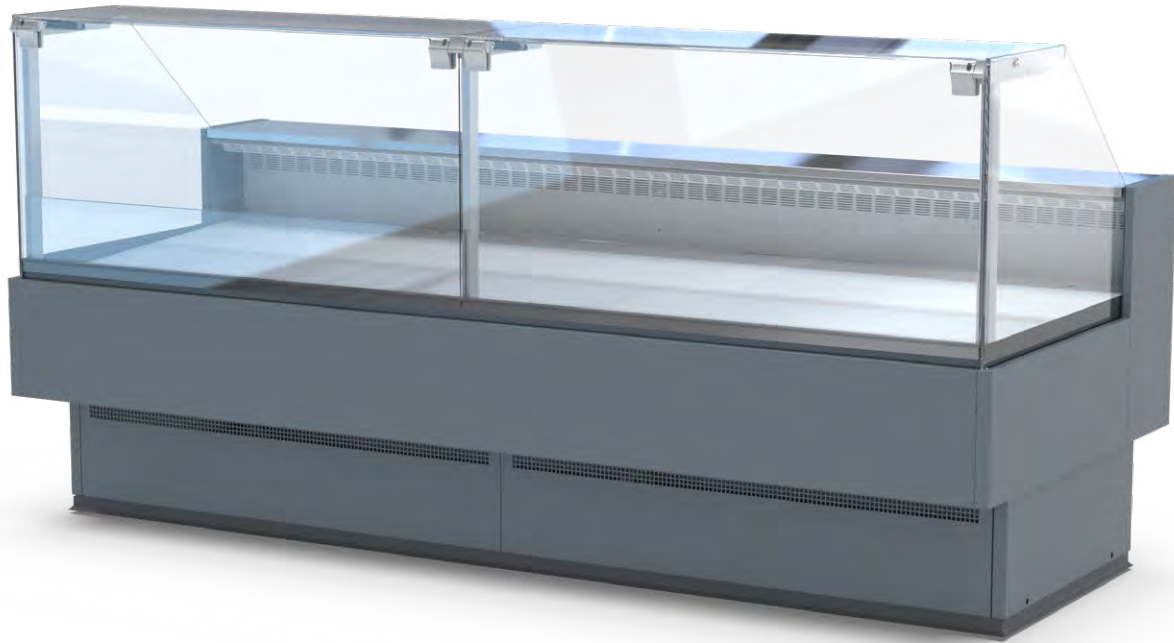
OPTIONS

- lighting – LEDit (top)
- PVC floor profiles
- sidewalls
- bumper



Grazia

LDGR-28 | BSA GSL



STANDARD FEATURES

- working temperature – straight module and corners from 0°C to 2°C
- electrical defrosting
- automatic evaporation of condensate
- electronic controller with temperature indicator
- back doors – quantity according to the module
- exposition: zinc-plated steel, powder coated in white (RAL 9003)
- storage: steel coated in grey
- worktop: linen stainless steel
- color of the base black (RAL 9005)
- perspex covers – 1250, 1875, 2500, 3750

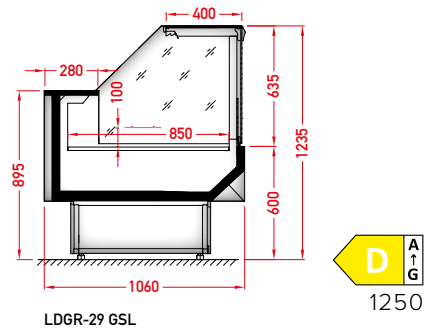
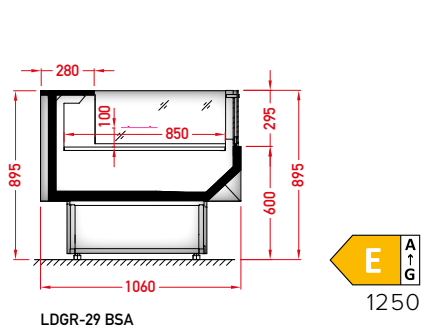
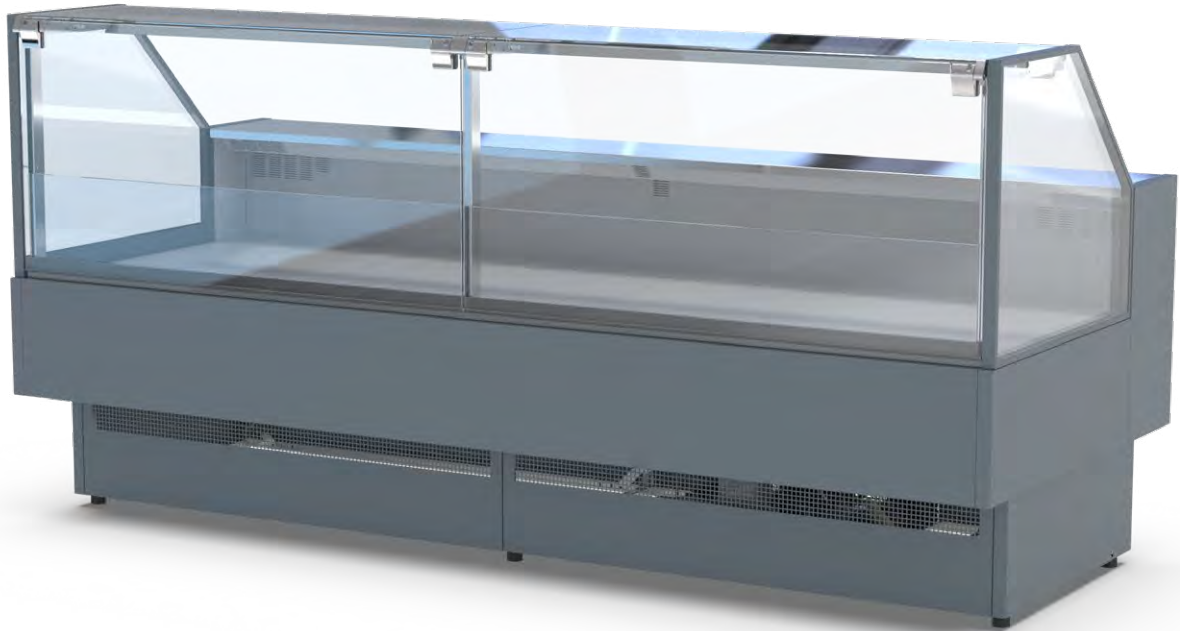
OPTIONS

- lighting – LEDit (top)
- PVC floor profiles
- sidewalls
- bumper



Grazia

LDGR-29 | BSA GSL



STANDARD FEATURES

- working temperature – straight module and corners from 0°C to 2°C
- electrical defrosting
- automatic evaporation of condensate
- electronic controller with temperature indicator
- exposition: zinc-plated steel, powder coated in white (RAL 9003)
- worktop: linen stainless steel
- color of the base black (RAL 9005)
- perspex covers– 1250, 1875, 2500, 3750

OPTIONS

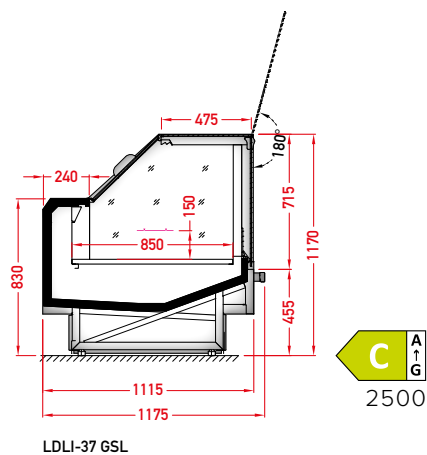
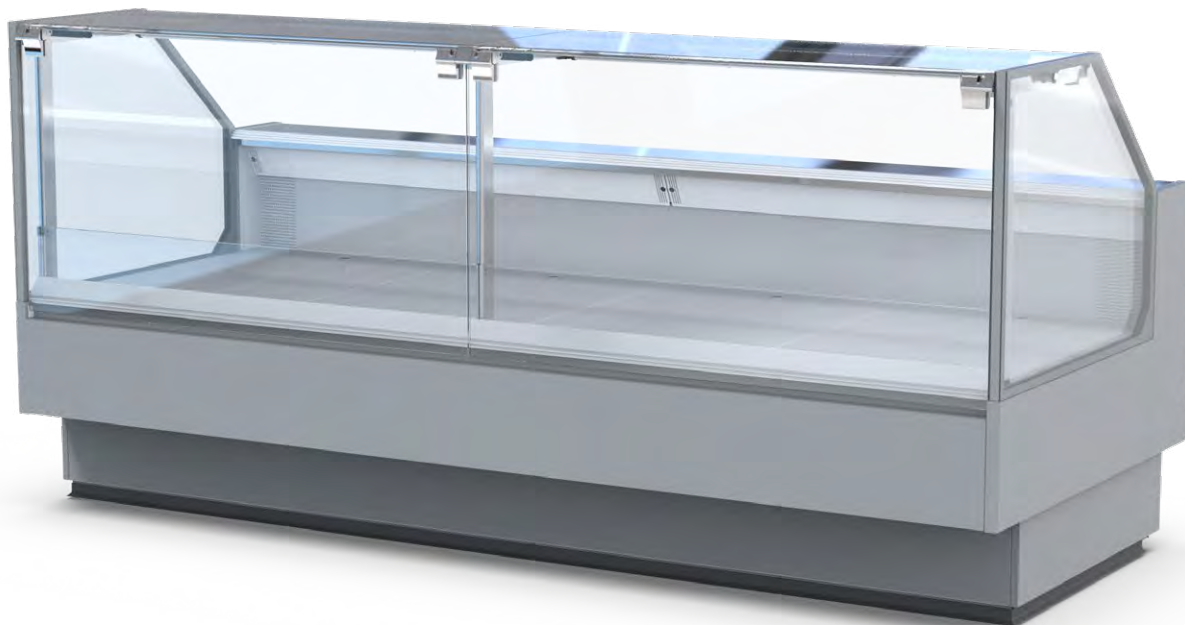
- lighting – LEDit (top)
- PVC floor profiles
- sidewalls
- bumper

AVAILABLE MODULES

BSA	1250	1875	2500	3750
	NW45	NZ45		
GSL	1250	1875	2500	3750
	NW45	NZ45	NZ90	



Lingtren LDLI-37 | GSL



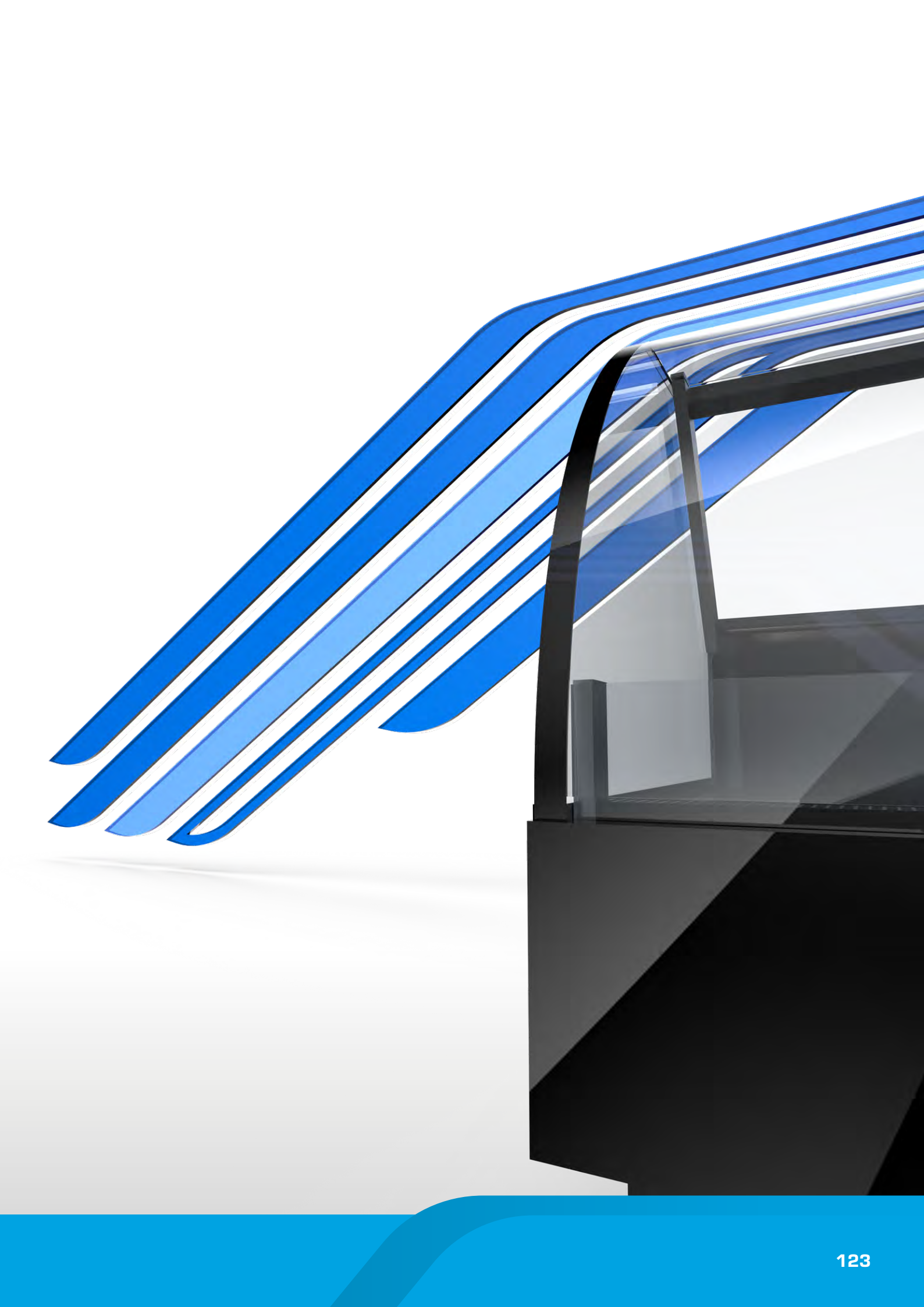
STANDARD FEATURES

- working temperature: from 0°C to 2°C
- natural defrosting
- automatic evaporation of condensate
- electronic controller with temperature indicator
- exposition: zinc-plated steel, powder coated in white (RAL 9003)
- worktop: linen stainless steel
- perspex covers – 1250, 1875, 2500, 3750

OPTIONS

- lighting – LEDit (top)
- PVC floor profiles
- sidewalls
- bumper












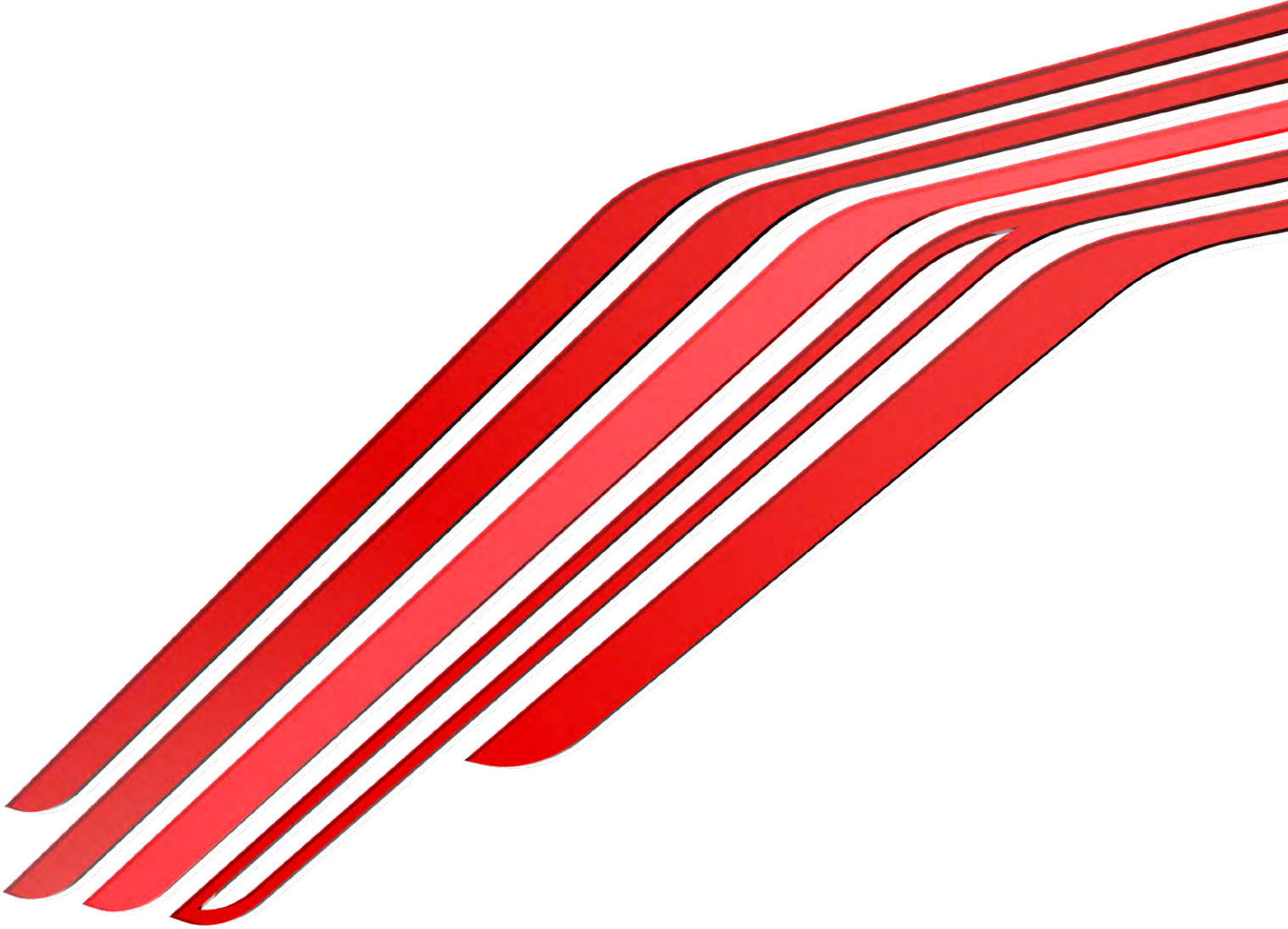
Energy efficiency classes

The energy efficiency class of a refrigerating appliance with a direct sales function shall be determined on the basis of its EEI as set out in Table.

Energy efficiency classes of refrigerating appliances with a direct sales function.

ENERGY EFFICIENCY CLASS	EEI
 A	$EEI < 10$
 B	$10 \leq EEI < 20$
 C	$20 \leq EEI < 35$
 D	$35 \leq EEI < 50$
 E	$50 \leq EEI < 65$
 F	$65 \leq EEI < 80$
 G	$EEI \geq 80$

Designation of the energy efficiency class is dedicated to a particular products, which are presented on each page of the catalogue. Indicated energy efficiency class depends on a module type, equipment, glassing version and type of a refrigerant. Amendment of each of the said parameters may cause amendment of the energy efficiency class. Contact the manufacturer to acknowledge the energy efficiency class for the product with different parameters to those presented in the catalogue.



Products shown in the catalogue are just examples and do not constitute an offer as such. The manufacturer reserves the right to alter the features and technical specifications of its products. If it is not clearly defined temperature ranges presented in this document are for shop conditions (20C/50RH).



Safety
Regular
Production
Surveillance
www.tuv.com
ID 0000044539



* Poland, Czech Republic

Headquarter / Factory: Warszowice, ul. Gajowa 5, Poland
Factory: Żory, al. Jana Pawła II 46, Poland
Contact: +48 32 494 00 00, info@jbg2.com



jbg2.com

