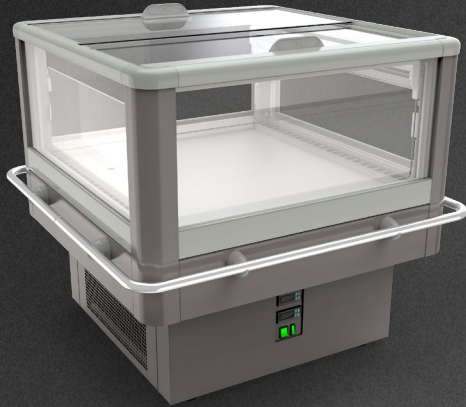




PLUG-IN → ISLANDS

Pamir WNPA-09 0905 CSS



Module:

0905



Refrigerant:

R290



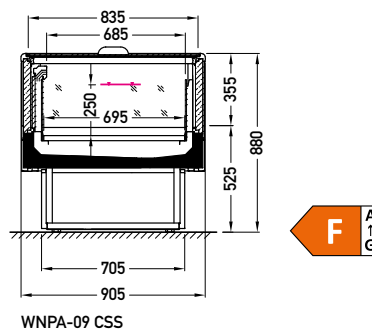
Available options:

- working temperature: from -25°C to -21°C
- hot gas defrosting
- automatic evaporation of condensate
- electronic controller with temperature indicator
- **energy saving fans**
- exposition: zinc-plated steel, powder coated in white (RAL 9003)
- thermopane glass
- colour of the base black (RAL 9005)
- bumper (optionally)
- sidewalls integrated
- LEDit lighting (optionally)

Pamir WNPA-09 0905 CSS



Cross sections:



WNPA-09 CSS

CSS – cover | single, straight | sliding (sideways)

Available modules: 0905