



PLUG-IN → MULTIDECKS

Medium RDME-22 1250

DVO | DDS | BSA



Module:

1250



Refrigerant:

R290



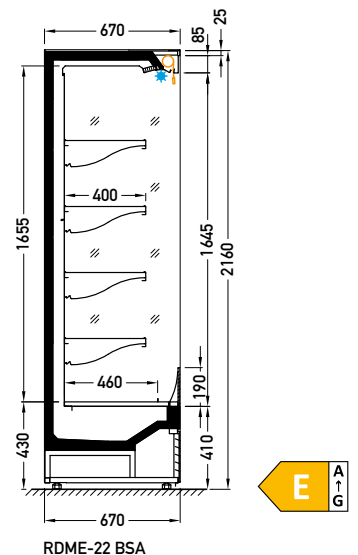
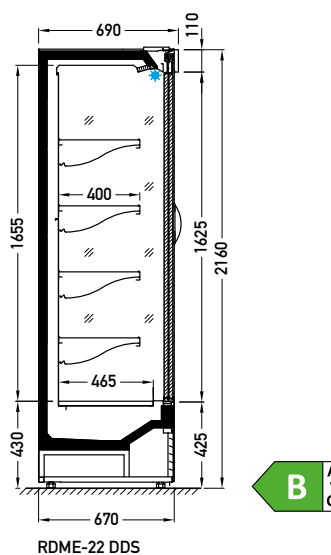
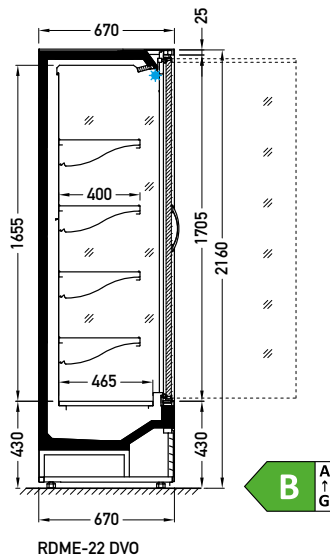
Available options:

- working temperature: DVO/DDS from 0°C to 2°C; BSA 2°C to 6°C
- natural defrosting
- automatic evaporation of condensate
- electronic controller with temperature indicator
- **energy saving fans**
- exposition: zinc-plated steel, powder coated in white (RAL 9003)
- 4 rows of suspended shelves, on shelves and on air inlet price holders 39 mm
- **lighting: top, LEDit, NW-4**
- colour of the base black (RAL 9005)
- without sidewalls (optionally)
- mechanical night blind for version BSA

Medium RDME-22 2500 BSA



Cross sections:



DVO – door | double, straight (High Vision) | hinged

DDS – door | double, straight | sliding (sideways)

BSA – low glass or front glass riser | single, straight | fixed

Available modules:	BSA	0900 1250 1600 1875 2500
	DVO	1250 1875 2500
	DDS	1250 1875

JBG-2 Sp. z o.o. reserves the right to change the standards of devices or to withdraw products without prior notice.

Designation of the energy efficiency class is dedicated to a particular products, which are presented on each page of the catalogue. Indicated energy efficiency class depends on a module type, equipment, glassing version and type of a refrigerant. Amendment of each of the said parameters may cause amendment of the energy efficiency class. Contact the producer to acknowledge the energy efficiency class for the product with different parameters to those presented in the catalogue.