



PLUG-IN → COUNTERS

Lingtren LDLI-37 2500 GSL



Lingtren LDLI-37 2500 GSL



Module:

2500



Refrigerant:

R290

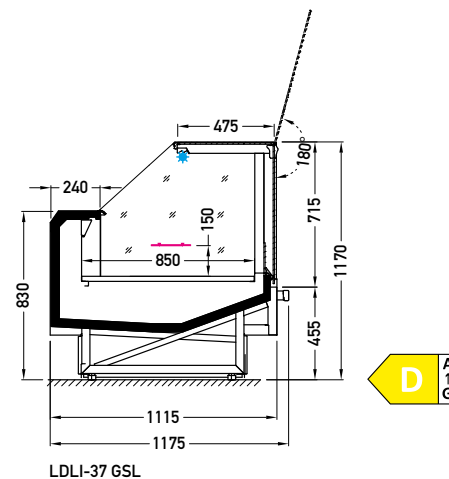


Available options:

- working temperature: from 0°C to 2°C
- natural defrosting
- automatic evaporation of condensate
- electronic controller with temperature indicator
- **energy saving fans**
- exposition: zinc-plated steel, powder coated in white (RAL 9003)
- worktop: linen stainless steel
- **top LEDit lighting** (optionally)
- sliding back glass doors
- without sidewalls (optionally)



Cross sections:



GSL - glass | single, straight | lift up

Available modules: 1250 1875 2500 3750