



HOT CASES → COUNTERS

Lhotse LGLH-37 1250 GSL



Module:

1250



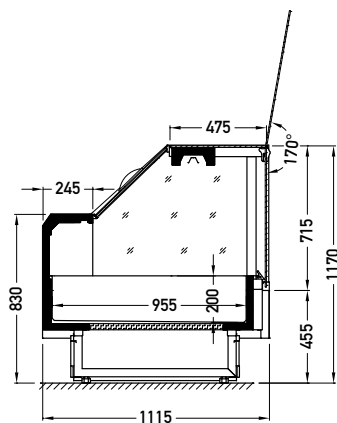
Available options:

- hot cases: Bain Marie / Hot plate
- temperature up to +85°C
- electronic controller with temperature indicator / for Bain Marie additionally a mechanical thermometer at the air inlet
- feature of the heating element – heating plate (for hot case) / heating bath (for Bain Marie)
- lighting panel: IR heating lamp
- exposition: stainless steel H18
- external surfaces (front / base): zinc-plated steel, powder coated
- exposition on a full base
- without sidewalls (optionally)

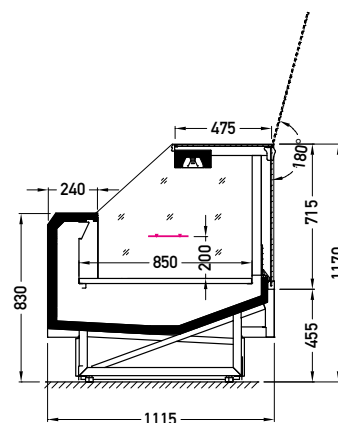
Lhotse LGLH-37 1250 GSL Bain Marie



Cross sections:



LGLH-37 GSL
Bain-marie



LGLH-37 GSL
Hot-plate

GSL – glass | single, straight | lift up

Additional settings

Other modules:	Hot plate	0938 1250 1875
	Bain-Marie	0938 1250