



REMOTE → MULTIDECKS

Kaukaz RDKA-11 1250

DVO | DDS | XXX



Kaukaz RDKA-11 2500 XXX



Module:

1250



Refrigerant:

R744

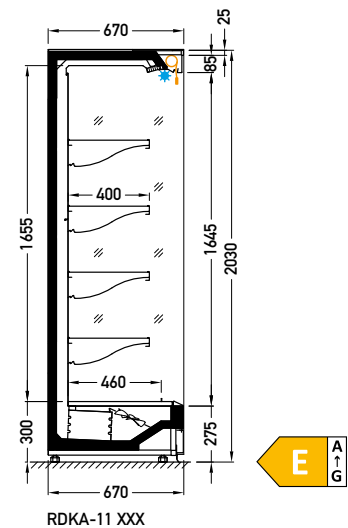
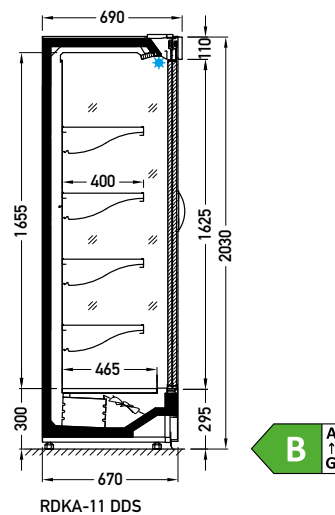
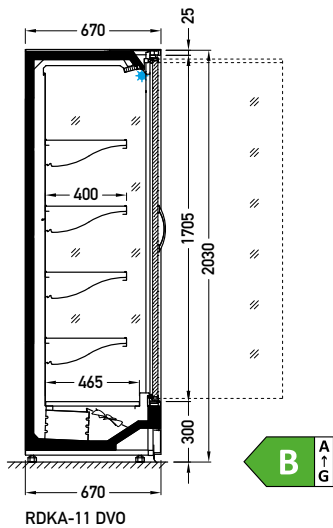


Available options:

- working temperature: from 0°C to 2°C
- natural defrosting
- mechanical expansion valve for HFC; for R744 units electronic expansion valve
- 2 x NTC temperature probe
- siphoned condensate drains
- exposition: zinc-plated steel, powder coated in white (RAL 9003)
- 4 rows of suspended shelves, on shelves and on air inlet price holders 39 mm
- **lighting: top, LEDit, NW-4**
- color of the base – black (RAL 9005)
- grey PVC bumper on the front of the unit
- without sidewalls (optionally)
- mechanical night blind for version XXX



Cross sections:



DVO – door | double, straight (High Vision) | hinged
DDS – door | double, straight | sliding (sideways)
XXX – no glazing

Available modules: **DVO DDS** 1250 1875 2150 2500 3750
XXX 0900 1000 1250 1875 2150 2500 3750