



PLUG-IN → ISLANDS

Imja WNIJ-07 2500 CCP



Module:

2500



Refrigerant:

R290



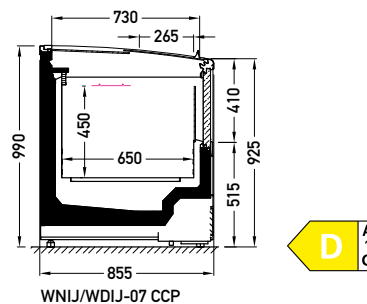
Available options:

- working temperature: from -25°C to -21°C
- hot gas defrosting
- automatic evaporation of condensate
- electronic controller with temperature indicator
- exposition: zinc-plated steel, powder coated in white (RAL 9003)
- thermopane glass
- color of the base black (RAL 9005)
- flat front bumper; in module TG flat front and side bumper
- lighting: in the handrail, LEDit, CW-2
- full sidewalls integrated

Imja WNIJ 2100 CCP



Cross sections:



CCP – cover | single, curved | sliding (slide-up/push)

Available modules: 1850 2100 2500
1850G