



REMOTE → ISLANDS

# Idea WNID-05 2500

CCS | XXX



**Module:**

2500



**Refrigerant:**

R744



**Available options:**

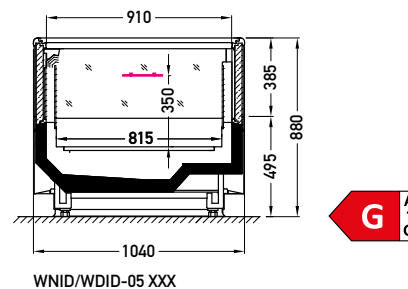
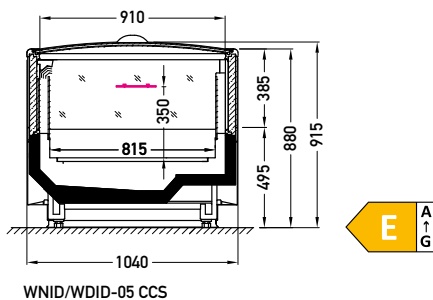
- working temperature: from -25°C to -21°C
- electrical defrosting
- mechanical expansion valve for HFC; for R744 units electronic expansion valve
- 2 x NTC temperature probe
- siphoned condensate drains
- thermopane glass
- exposition: zinc-plated steel, powder coated in white (RAL 9003)
- color of the base – black (RAL 9005)
- bumper (optionally)
- without sidewalls (optionally)
- LEDit lighting (optionally)



Idea WNID-05 2500 CCS



**Cross sections:**



**CCS** – cover | single, curved | sliding (sideways)  
**XXX** – no glazing

Available modules: 1875 2500 3750