



REMOTE → ISLANDS

Idea WNID-04 2500

CCP | CSS | XXX



Module:

2500



Refrigerant:

R744



Available options:

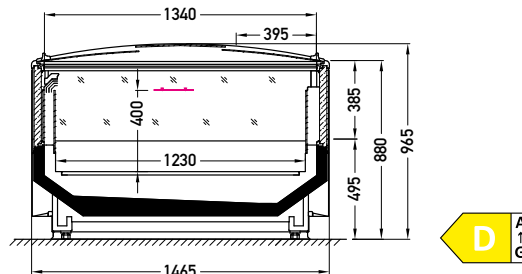
- working temperature: from -25°C to -21°C
- electrical defrosting
- mechanical expansion valve for HFC; for R744 units electronic expansion valve
- 2 x NTC temperature probe
- siphoned condensate drains
- thermopane glass
- exposition: zinc-plated steel, powder coated in white (RAL 9003)
- color of the base – black (RAL 9005)
- bumper (optionally)
- without sidewalls – sidewalls optionally (for WNID-04-1340G sidewalls integrated)
- LEDit lighting (optionally)



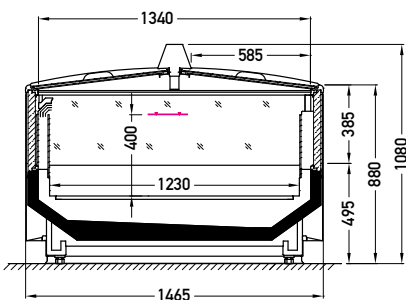
Idea WNID-04 2500 CSS



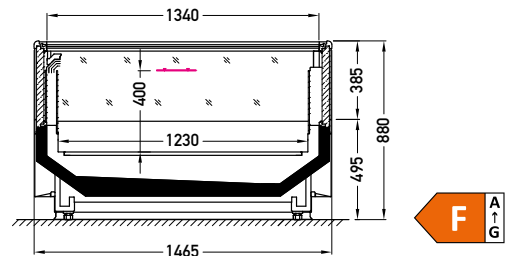
Cross sections:



WNID/WDID-04 CCP



WNID/WDID-04 CSS



WNID/WDID-04 XXX

- CCP** – cover | single, curved | sliding (slide-up/push)
- CSS** – cover | single, straight | sliding (sideways)
- XXX** – no glazing

Available modules: 1875 2500 3750
1340G