



REMOTE → MULTIDECKS

Iberg 2.0 RDIG-L1 2500

DVO | BDA



Iberg 2.0 RDIG-L1 2500 DVO



Module:

2500



Refrigerant:

R744

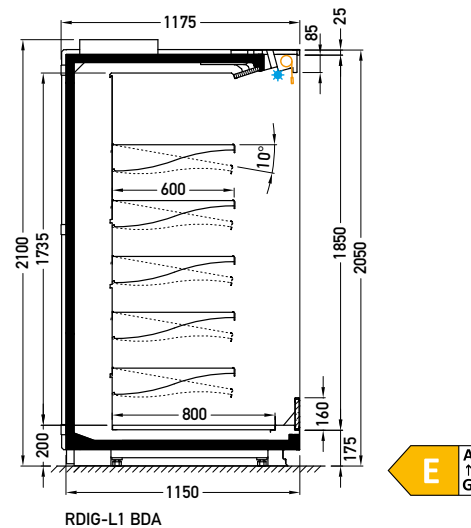
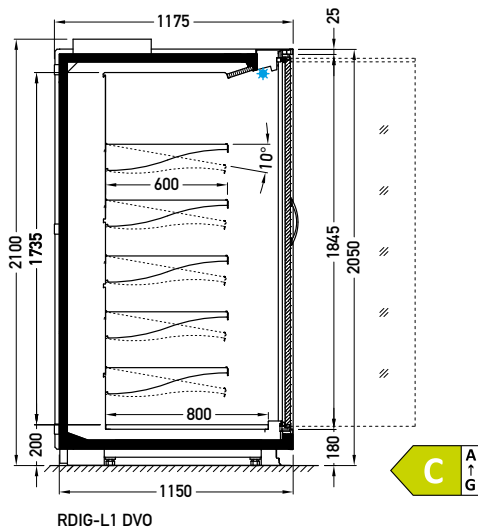


Available options:

- working temperature: from 0°C to 2°C
- natural defrosting
- mechanical expansion valve for HFC; for R744 units electronic expansion valve
- 2 x NTC temperature probe
- siphoned condensate drains
- exposition: zinc-plated steel, powder coated in white (RAL 9003)
- 5 rows of suspended shelves, on shelves and on air inlet price holders 39 mm
- **lighting: top, LEDit, NW-4**
- color of the base – black (RAL 9005)
- grey PVC bumper on the front of the unit
- without sidewalls (optionally)
- mechanical night blind for version XXX



Cross sections:



DVO – door | double, straight (High Vision) | hinged
BDA – front glass riser | double, straight | fixed

Available modules: 2500 3750