



REMOTE → MULTIDECKS

# Iberg 2.0 RDIG-L1 2500

DVO | BDA



Iberg 2.0 RDIG-L1 2500 DVO



**Module:**

2500



**Refrigerant:**

R744

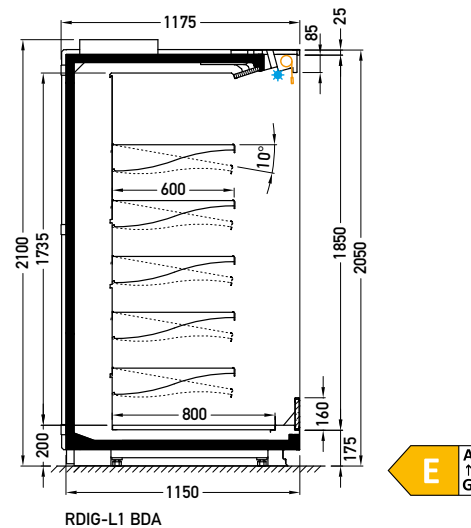
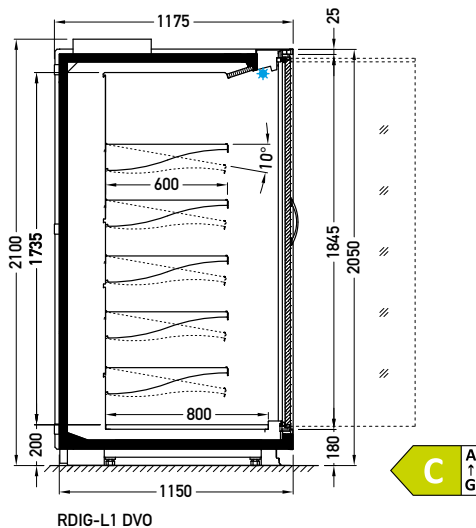


**Available options:**

- working temperature: from 0°C to 2°C
- natural defrosting
- mechanical expansion valve for HFC; for R744 units electronic expansion valve
- 2 x NTC temperature probe
- siphoned condensate drains
- exposition: zinc-plated steel, powder coated in white (RAL 9003)
- 5 rows of suspended shelves, on shelves and on air inlet price holders 39 mm
- **lighting: top, LEDit, NW-4**
- color of the base – black (RAL 9005)
- grey PVC bumper on the front of the unit
- without sidewalls (optionally)
- mechanical night blind for version XXX



**Cross sections:**



**DVO** – door | double, straight (High Vision) | hinged  
**BDA** – front glass riser | double, straight | fixed

**Additional settings**

**Available modules:** 2500 3750

**Other refrigerant:** HFC / R744