

STANDARD FEATURES

- working temperature: from 0°C to 2°C
- natural defrosting
- 2 x NTC temperature probe
- siphoned condensate drains
- exposition: zinc-plated steel, powder coated in white (RAL 9003)
- 4 rows of suspended shelves, on shelves and on air inlet price holders 39 mm
- lighting – top, LEDit
- color of the base – black (RAL 9005)
- grey PVC bumper on the front of the unit

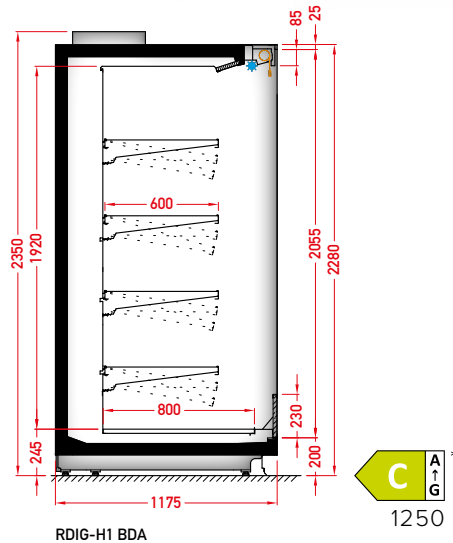
OPTIONS

- sidewalls
- vertical LEDit lighting
- underlighting shelves LEDit lighting
- cotroller with electronic expansion valve

DVO – door | double, straight | hinged

AVAILABLE MODULES DVO 1250 1875 2150 2500 3750





* single module with glass sidewalls

STANDARD FEATURES

- working temperature: from 0°C to 2°C
- natural defrosting
- 2 x NTC temperature probe
- siphoned condensate drains
- exposition: zinc-plated steel, powder coated in white (RAL 9003)
- 4 rows of suspended shelves, on shelves and on air inlet price holders 39 mm
- lighting – top, LEDit
- color of the base – black (RAL 9005)
- grey PVC bumper on the front of the unit
- mechanical night blind

OPTIONS

- sidewalls
- underlighting shelves LEDit lighting
- cotroller with electronic expansion valve

BDA – front glass riser | double, straight | fixed

