

# Grazia LDGR-28 GSL

## STANDARD FEATURES

- working temperature – straight module and corners from 0°C to 2°C
- refrigerant: R744
- electrical defrosting
- 2 x NTC temperature probe
- siphoned condensate drains
- back doors – quantity according to the module
- exposition: zinc-plated steel, powder coated in white (RAL 9003)
- storage: steel coated in grey
- worktop: linen stainless steel
- color of the base black (RAL 9005)
- perspex covers – 1250, 1875, 2500, 3750

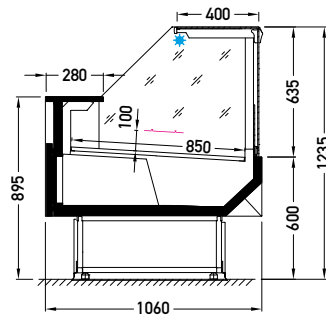
## OPTIONS

- electronic expansion valve
- LEDit lighting
- PVC floor profiles
- bumper
- sidewalls



Grazia LDGR-28 2500 GSL

GSL – glass | single, straight | lift up



LDGR-28 GSL



## AVAILABLE MODULES

1250 1875 2500 3750  
NW45 NZ45 NZ90