



PLUG-IN → COUNTERS

Grazia LDGR-28 1250

GSL | BSA



Module:

1250



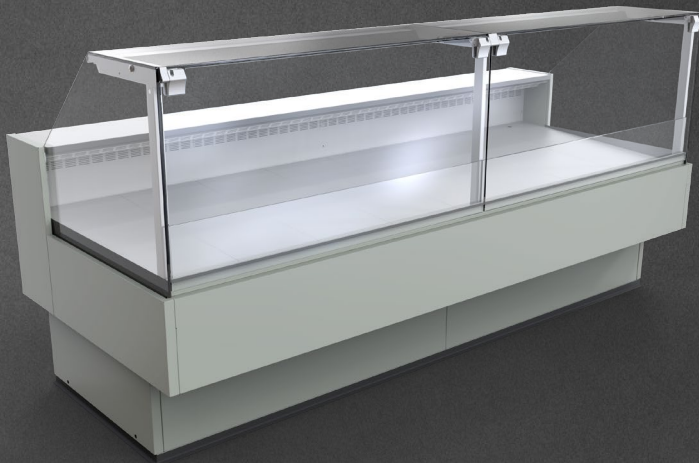
Refrigerant:

R290



Available options:

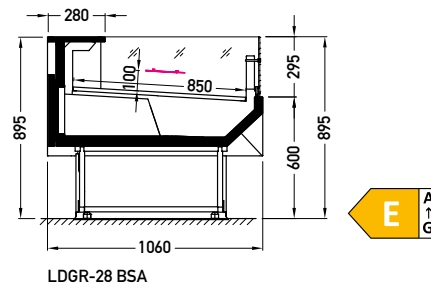
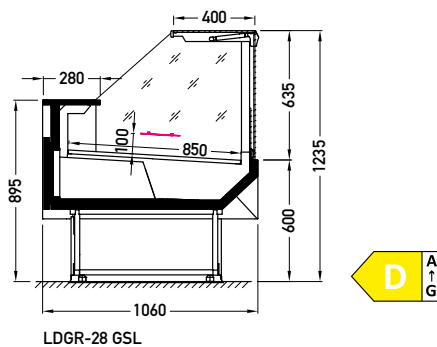
- working temperature – straight module and corners from 0°C to 2°C
- electrical defrosting
- automatic evaporation of condensate
- electronic controller with temperature indicator
- **energy saving fans**
- back doors – quantity according to the module
- exposition: zinc-plated steel, powder coated in white (RAL 9003)
- storage: steel coated in grey
- worktop: linen stainless steel
- **top LEDit lighting** (optionally)
- colour of the base black (RAL 9005)
- no PVC floor profiles (optionally)
- without perspex covers (optionally)
- without sidewalls (optionally)
- bumper (optionally)



Grazia LDGR-28 2500 GSL



Cross sections:



GSL – glass | single, straight | lift up

BSA – low glass or front glass riser | single, straight | fixed

Available modules: **BSA GSL** 1250 1875 2500 3750
 NW45 NZ45
GSL NZ90