

Grazia LDGR-09

GCL



STANDARD FEATURES

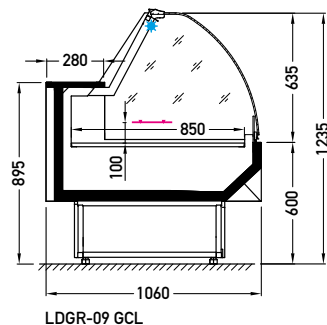
- working temperature – straight module and corners from 0°C to 2°C
- refrigerant: R744
- electrical defrosting
- 2 x NTC temperature probe
- siphoned condensate drains
- exposition: zinc-plated steel, powder coated in white (RAL 9003)
- worktop: linen stainless steel
- color of the base black (RAL 9005)
- perspex covers – 1250, 1875, 2500, 3750

OPTIONS

- electronic expansion valve
- LEDit lighting
- PVC floor profiles
- bumper
- sidewalls

Grazia LDGR-09 2500 GCL

GCL – glass | single, bent | lift up



AVAILABLE MODULES

1250 1875 2500 3750
NW45 NZ45