

REMOTE → COUNTERS

Grazia LDGR-08

GCL



STANDARD FEATURES

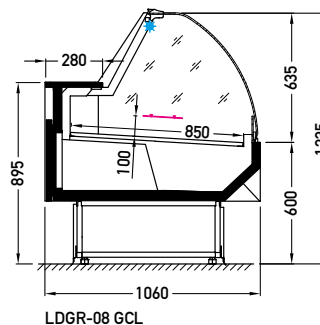
- working temperature – straight module and corners from 0°C to 2°C
- refrigerant: R744
- electrical defrosting
- 2 x NTC temperature probe
- siphoned condensate drains
- back doors – quantity according to the module
- exposition: zinc-plated steel, powder coated in white (RAL 9003)
- storage: steel coated in grey
- worktop: linen stainless steel
- color of the base black (RAL 9005)
- perspex covers – 1250, 1875, 2500, 3750

OPTIONS

- electronic expansion valve
- LEDit lighting
- PVC floor profiles
- bumper
- sidewalls

Grazia LDGR-08 2500 GCL

GCL – glass | single, bent | lift up



AVAILABLE MODULES

1250 1875 2500 3750
NW45 NZ45

JBG-2 Sp. z o.o. reserves the right to change the standards of devices or to withdraw products without prior notice. Designation of the energy efficiency class is dedicated to a particular products, which are presented on each page of the catalogue. Indicated energy efficiency class depends on a module type, equipment, glassing version and type of a refrigerant. Amendment of each of the said parameters may cause amendment of the energy efficiency class. Contact the producer to acknowledge the energy efficiency class for the product with different parameters to those presented in the catalogue.