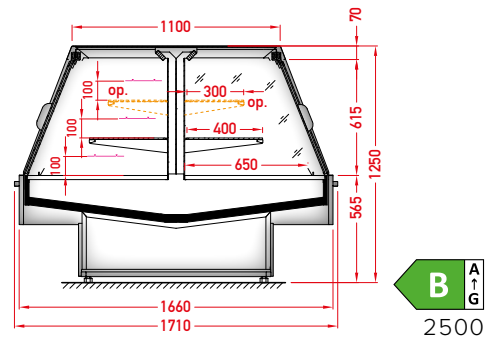


LDFI-32 BSA



LDFI-32 DDS

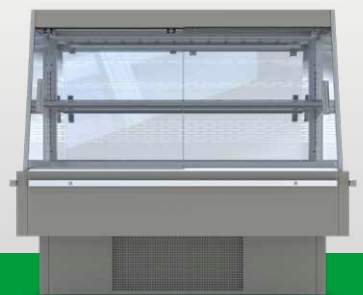
STANDARD FEATURES

- double devices (two evaporators)
- working temperature: DSS from 0°C to 2°C, BSA from 2°C to 4°C,
- electrical defrosting
- automatic evaporation of condensate
- electronic controller with temperature indicator
- exposition: zinc-plated steel, powder coated in white (RAL 9003)
- 1 row of shelves
- inox square bumper 25 x 25 mm
- color of the base black (RAL 9005)
- sidewalls glass

OPTIONS

- LEDit lighting
- manual night blind for BSA

BSA – front glass riser | single, straight | fixed
 DSS – door | single, straight | sliding (sideways)



AVAILABLE MODULES	BSA	1250	1875	2500
	DDS	1250	1875	2500
		1660G		
			1660G	

