



PLUG-IN → PROMOTION

Fiji LDFI-30/31/32 1250 BSA



Module:

1250



Refrigerant:

R290



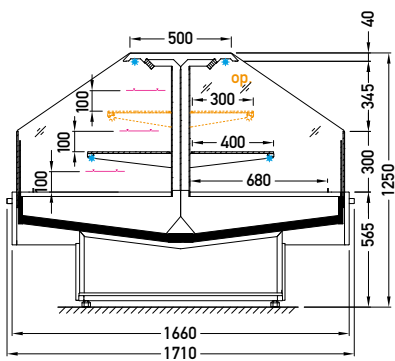
Available options:

- plug-in unit
- double devices (two evaporators)
- working temperature: from 2°C to 4°C
- refrigerant: R290
- electrical defrosting
- automatic evaporation of condensate
- electronic controller with temperature indicator
- exposition: zinc-plated steel, powder coated in white (RAL 9003)
- inox square bumper 25 x 25 mm
- color of the base black (RAL 9005)
- sidewalls glass

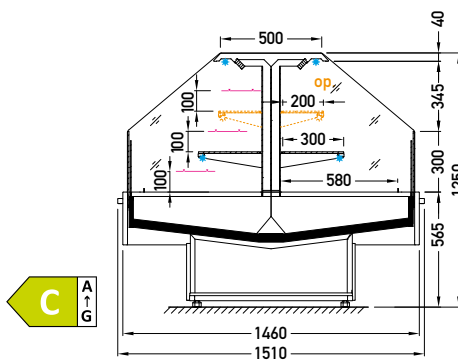
FIJI LDFI-30 1250 BSA



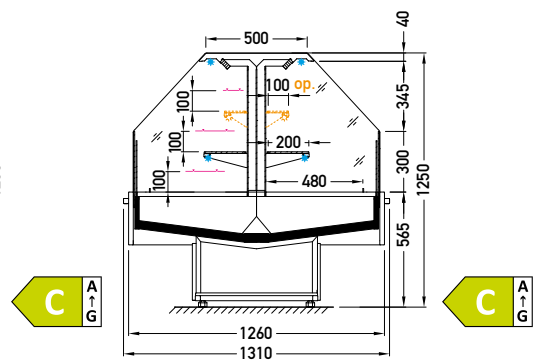
Cross sections:



LDFI-32



LDFI-31



LDFI-30

BSA – low glass or front glass riser | single, straight | fixed

Available modules: 1250 1875 2500