



PLUG-IN → PROMOTION

# Fiji LDFI-25 1250

CSS | BSA



**Module:**

1250



**Refrigerant:**

R290



**Available options:**

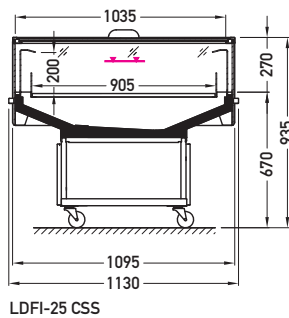
- working temperature: for BSA and CSS with integrated sidewalls version from 0°C to 2°C; for BSA version with single glass sidewalls from 2°C to 4°C
- hot gas defrosting
- automatic evaporation of condensate
- electronic controller with temperature indicator
- **energy saving fans**
- exposition: zinc-plated steel, powder coated in white (RAL 9003)
- inox square bumper 25x25 mm
- colour of the base black (RAL 9005)
- integrated glass with black/grey screen printing; single glass without printing
- on wheels



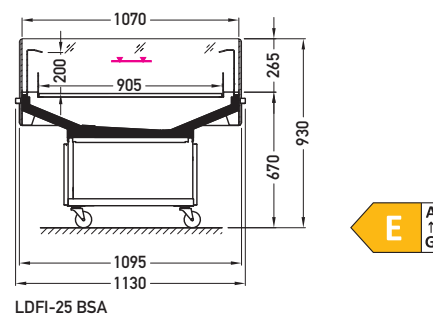
Fiji LDFI-25 1250 CSS



**Cross sections:**



LDFI-25 CSS



LDFI-25 BSA

**CSS** – cover | single, straight | sliding (sideways)

**BSA** – low glass or front glass riser | single, straight | fixed

**Available modules:** **BCA** 1000 1250  
**CSS** 1000