



PLUG-IN → PROMOTION

Fiji LDFI-22 1250 BCA



Module:

1250



Refrigerant:

R290



Available options:

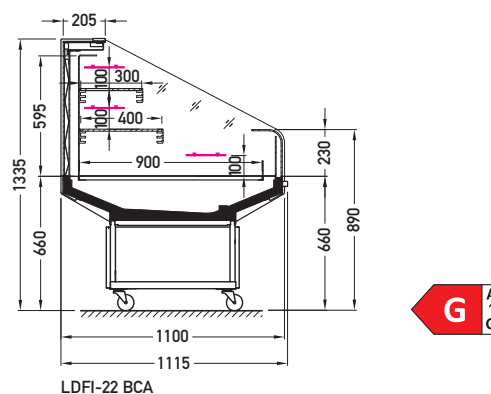
- working temperature: from 2°C to 4°C
- electrical defrosting
- automatic evaporation of condensate
- electronic controller with temperature indicator
- **energy saving fans**
- exposition: zinc-plated steel, powder coated in white (RAL 9003)
- 2 glass shelves
- inox square bumper 25x25 mm
- colour of the base black (RAL 9005)
- sidewalls, back and air flow channels made of perspex
- mechanical night blind
- on wheels



Fiji LDFI-22 1250 BCA



Cross sections:



BCA – low glass or front glass riser | single, bent | fixed

Available modules: 1250