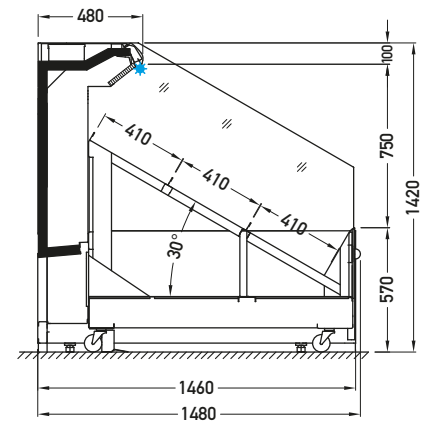
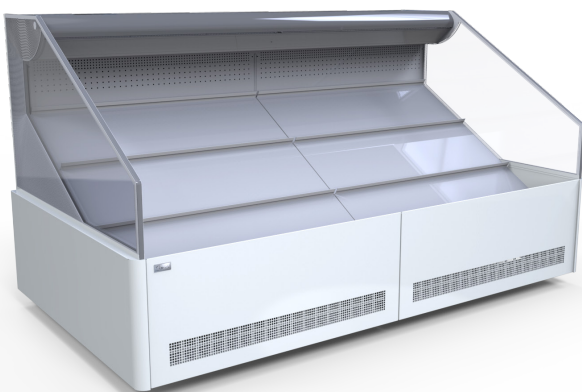


Fresher!



Laki RDL S1

JBG 2



RDL-...-S1

3M2 TEMPERATURE CLASS

module 1.25 1.6 2.5

PRODUCTION CODE
3M2-I-R407F-DXX

features:

- **plug-in unit**
- refrigerant R407F
- dynamic cooling system
- defrosting: electrical
- electronic controller with temperature indicator
- on adjustable legs
- exposition: stainless steel H18
- external surfaces (front/base): zinc coated steel, powder painted
- Perspex back sliding doors
- bumper PVC - colour gray

Standard external colours

RAL9003		RAL1023	
RAL3000		RAL5010	
RAL6029		RAL7004	
RAL7016		RAL9005	

Standard screenprinting colours

RAL7037		RAL9005	
---------	--	---------	--

JBG-2 Sp. z o.o.
ul. Gajowa 5
43-254 Warszowice

Office:

E: info@jbg2.com
T: +48 32 494 00 00



PRODUCER OF PROFESSIONAL REFRIGERATION EQUIPMENT

