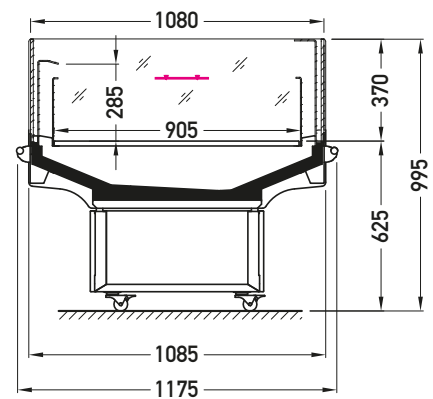


# Pleasant by technology



## Fiji LDF 16



LDF-16

**3M2 TEMPERATURE CLASS**

**module 1.25**

PRODUCTION CODE  
3M2-I-R290-GLS

### features:

- **plug-in unit**
- refrigerant R290
- dynamic cooling system
- defrosting: electrical
- non-lamellar condenser (no maintenance)
- on adjustable legs or on wheels

- electronic controller with temperature indicator
- automatic evaporation of condensate
- glass straight, thermopane tempered,
- bumper inox Ø 25
- sidewalls - glass with grey silk screen painting

Standard external colours

RAL9003		RAL1023	
RAL3000		RAL5010	
RAL6029		RAL7004	
RAL7016		RAL9005	

Standard screenprinting colours

RAL7037		RAL9005	
---------	--	---------	--

**JBG-2 Sp. z o.o.**  
ul. Gajowa 5  
43-254 Warszowice

**Office:**

E: [info@jbg2.com](mailto:info@jbg2.com)  
T: +48 32 494 00 00



PRODUCER OF PROFESSIONAL REFRIGERATION EQUIPMENT

