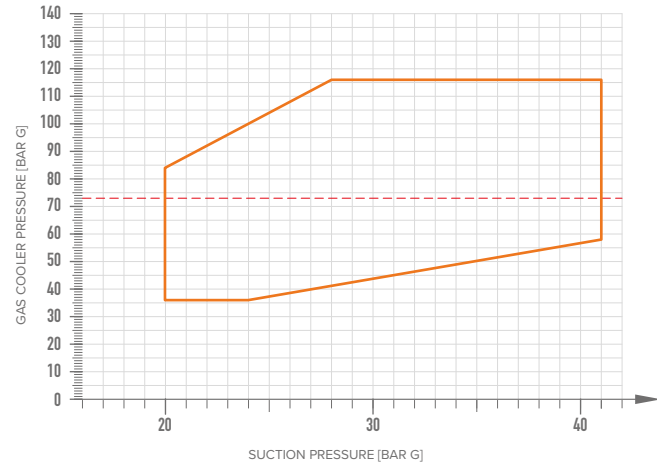
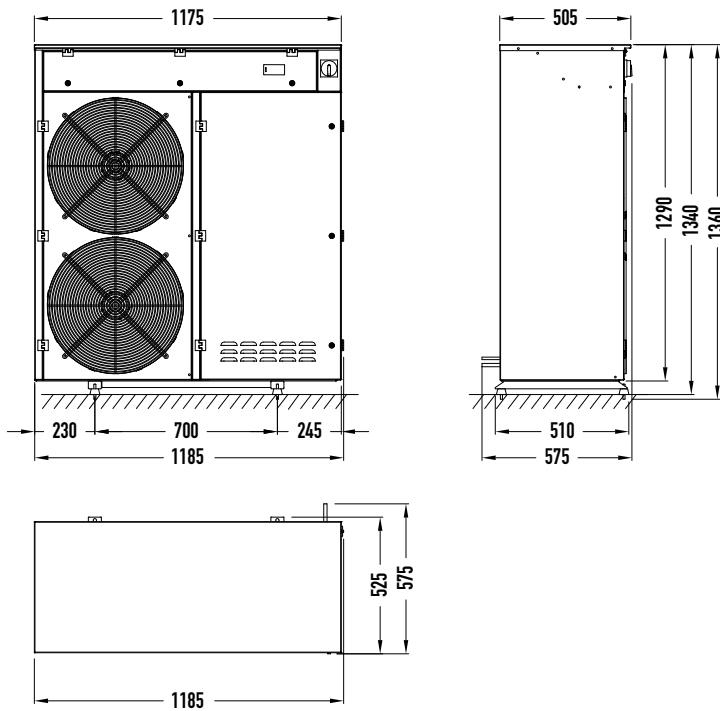


## WORKING ENVELOPE



## TECHNICAL DRAWING



jbg2.com



**ZDHT-01-8500-R744-I1**  
 COMPACT SOLUTION

**Office:**  
 E: info@jbg2.com  
 T: +48 32 494 00 00  
**JBG-2 Sp. z o.o.**  
 ul. Gajowa 5  
 43-254 Warszowice  
 Poland

COOL EQUIPMENT  
**WARM RELATIONS**



- LOW GWP REFRIGERANT
- PRECONFIGURED
- OIL SEPARATION
- ROTARY BLDC COMPRESSOR
- MODBUS/BMS
- LCD DISPLAY
- EC FANS



## ZDHT-01-8500-R744-I1

There is no doubt that CO2 is a natural choice for refrigeration's future. Ecology and legal regulations boost efficiency of big transcritical carbon dioxide systems by using parallel compression, ejectors and complex heat recovery systems that ensure every joule of energy is utilized. We know that for a small format stores, complex solutions are often economically unjustified. That is why we designed compact condensing unit for your basic needs.

### TWIN ROTARY COMPRESSOR

In our project we used reliable BLDC Twin Rotary compressor, that results with greater efficiency, better capacity control and reduced noise and vibration.



System is designed as one stage subcritical/transcritical, with gas by-pass valve. This is well proven concept when it comes to simplicity and work reliability.



Unit is divided into three pressure sections.

120  
bar

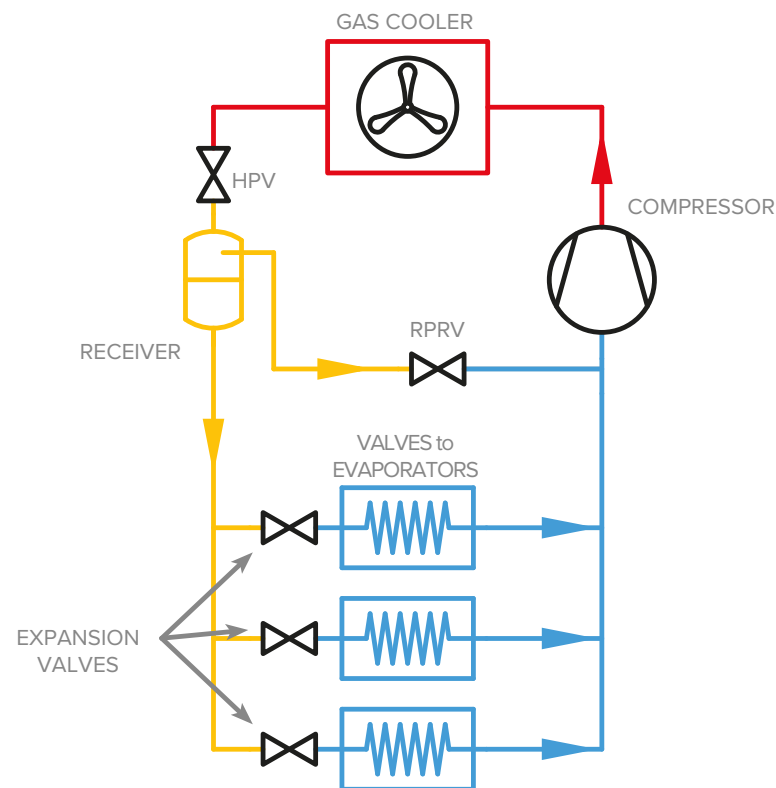
High pressure begins at compressor's outlet and continues through gas cooler, where refrigerant is cooled (and condensed during subcritical operation), to the high pressure control valve.

80  
bar

Intermediate pressure section begins at high pressure control valve, where CO2 is divided into gas and liquid in the receiver. Liquid flows to cabinets expansion valves and feeds MT evaporators. Gas phase is sent to the suction line through flash gas by-pass valve (to maintain proper receiver pressure).

60  
bar

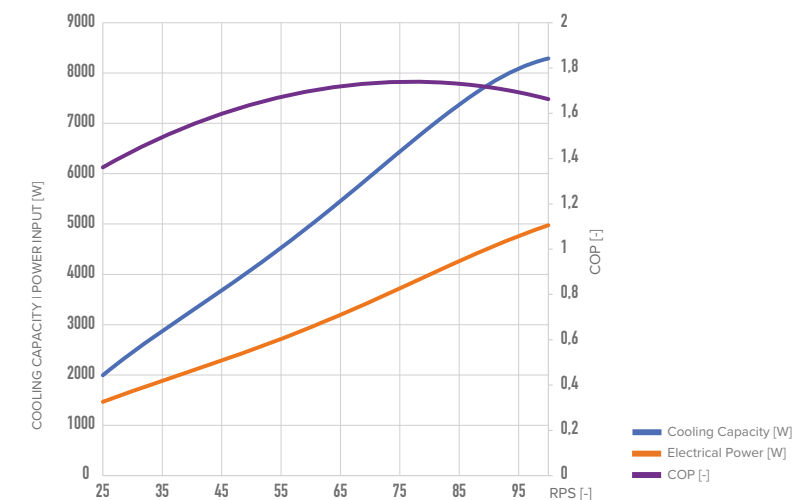
Medium pressure section begins at cabinets expansion valves, where refrigerant flows through evaporators, and completes the cycle to the compressor's inlet.



## TECHNICAL DATA

### WORK CHARACTERISTIC

DISPLACEMENT	[cm <sup>3</sup> ]	10
RATED COOLING CAPACITY*	[W]	8200
RATED POWER INPUT*	[W]	5550
RECEIVER CAPACITY	[dm <sup>3</sup> ]	10
MAXIMUM CHARGE	[kg]	8,5
PROTECTION RATE	[-]	IP24
PIPING DIAMETER	[inch]	1/2" / 3/8" Suction / Liquid
DIMMENSIONS	[mm]	1175 x 630 x 1270
DESIGN PRESSURE	[bar g]	80/80/120 Suction / Liquid / Discharge
PED CATEGORY	[-]	II
NET WEIGHT	[kg]	148
POWER SUPPLY	[V]	400/230 3/N/PE ~50 Hz
NOMINAL CURRENT	[A]	15,7
SOUND PRESSURE	[dB(A)]	45



\*RATED FOR: EVAPORATION TEMPERATURE -10 °C, GAS COOLER OUTLET TEMPERATURE 39 °C, DISCHARGE PRESSURE 101 BAR G, COMPRESSOR SPEED 100RPS