








## **Lhotse LDLH-40** premium version

REMOTE  
COUNTER

# Energy efficiency classes

The energy efficiency class of a refrigerating appliance with a direct sales function shall be determined on the basis of its EEI as set out in Table.

Energy efficiency classes of refrigerating appliances with a direct sales function

ENERGY EFFICIENCY CLASS	EEI
 <b>A</b>	<b>EEI &lt; 10</b>
 <b>B</b>	<b>10 ≤ EEI &lt; 20</b>
 <b>C</b>	<b>20 ≤ EEI &lt; 35</b>
 <b>D</b>	<b>35 ≤ EEI &lt; 50</b>
 <b>E</b>	<b>50 ≤ EEI &lt; 65</b>
 <b>F</b>	<b>65 ≤ EEI &lt; 80</b>
 <b>G</b>	<b>EEI ≥ 80</b>

Designation of the energy efficiency class is dedicated to a particular product, which are presented on each page of the catalogue. Indicated energy efficiency class depends on a module type, equipment, glassing version and type of a refrigerant. Amendment of each of the said parameters may cause amendment of the energy efficiency class. Contact the producer to acknowledge the energy efficiency class for the product with different parameters to those presented in the catalogue.

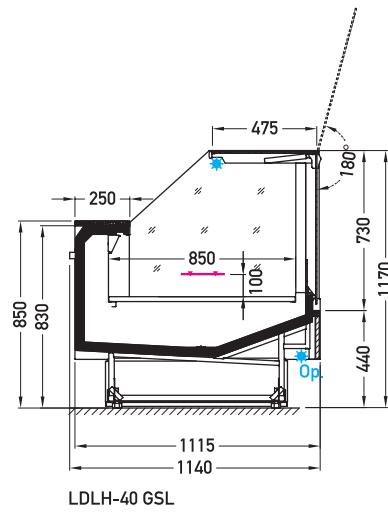


REMOTE → COUNTERS

# Lhotse LDLH-40 premium version



## Cross sections:



### GSL

0938	D	A	G
1250	D	A	G
1875	E	A	G
2150	E	A	G
2500	F	A	G
3750	F	A	G

GSL – glass | single, straight | lift up



## Modules:

GSL	0938	1250	1875	2150	2500	3750
GSL	NZ45	NZ90	NW45	NW9		



## Refrigerant:

HFC R744



## Standard features:

- For use with external cooling unit (aggregate)
- Working temperature – straight and corner NZC/NZS GSL from +0°C to +2°C;
- Corner NZC/NZS BSA from +2°C to +4°C (with cascade from 0°C to +2°C); corner NWS from +4°C to +8°C
- Refrigerant: HFC / R744
- Electrical defrosting
- Mechanical expansion – should be calculated additionally
- 2 x NTC temperature probe
- Siphoned condensate drains
- Energy – saving fans
- Exposition: stainless steel
- Worktop: Nero Impala granite
- Decorative strip on the front made of conglomerate Staron Sanded Dark Nebula
- Lighting (optionally): LEDit (top, base, letter list logo)
- Exposition on a full base
- Without sidewalls (optionally sidewalls with conglomerate Staron Sanded Dark Nebula)
- Bumper (optionally)



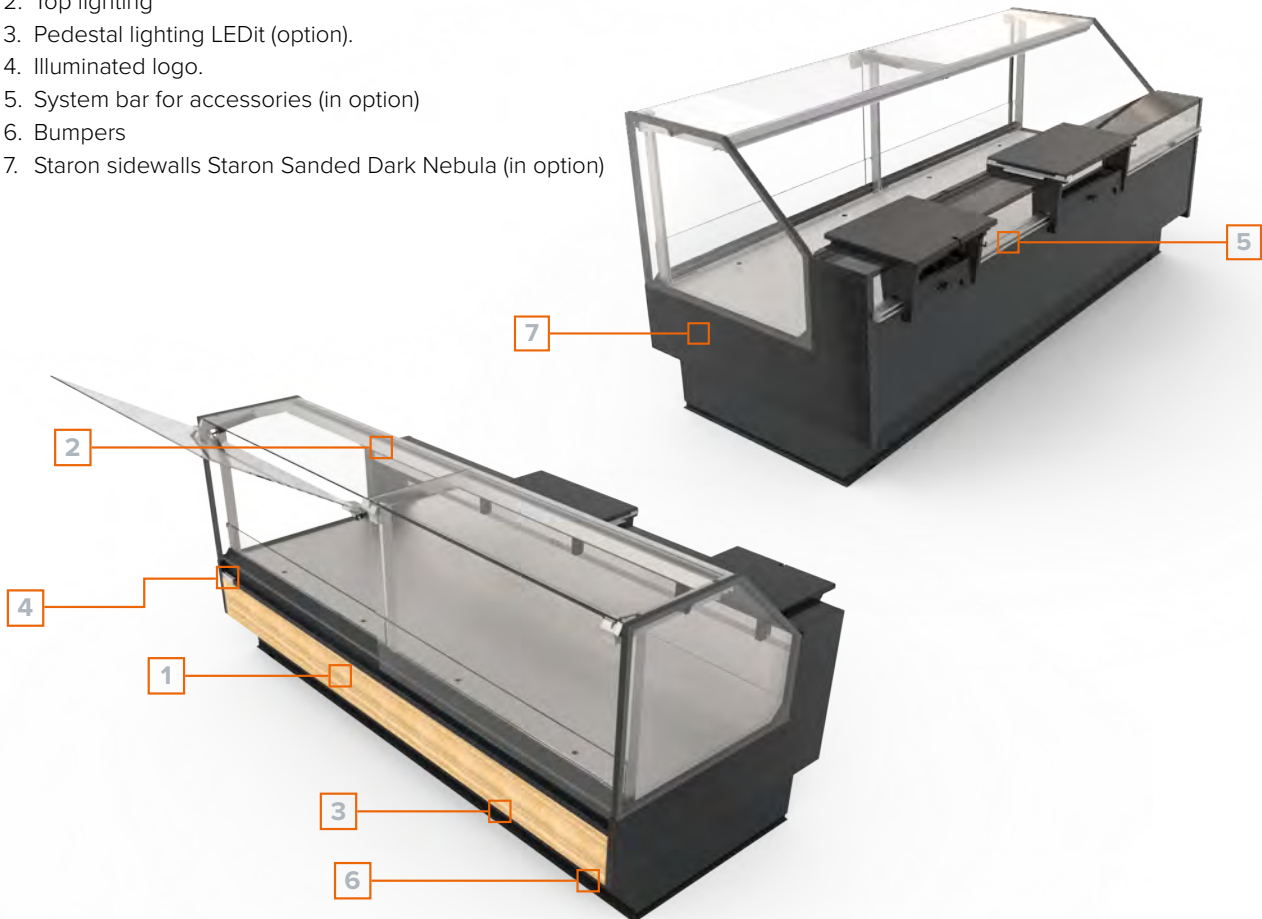


REMOTE → COUNTERS

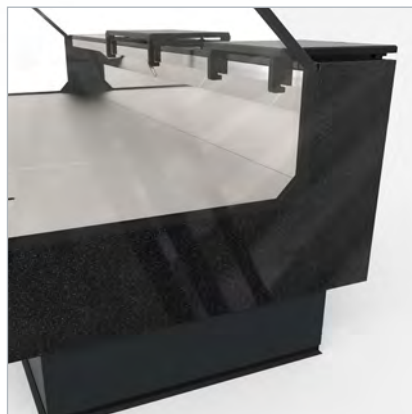
**Lhotse LDLH-40** premium version

# FINISHING OPTIONS

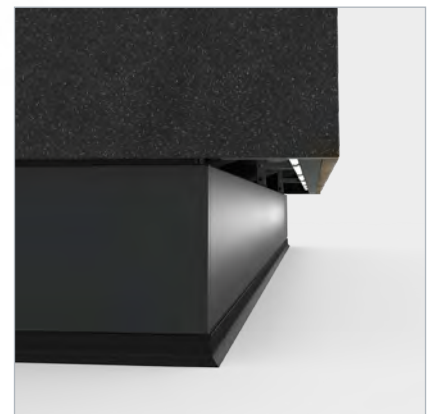
1. Front made of furniture board finish.
2. Top lighting
3. Pedestal lighting LEDit (option).
4. Illuminated logo.
5. System bar for accessories (in option)
6. Bumpers
7. Staron sidewalls Staron Sanded Dark Nebula (in option)



Illuminated logo



Sidewall



Pedestal lighting LEDit





REMOTE → COUNTERS

**Lhotse LDLH-40** premium version

# SOLUTIONS

1. Granite worktop (in standard)
2. Staron trim Staron Sanded Dark Nebula



Granite worktop



Accessories



Stainless steel display (INOX)





REMOTE → COUNTERS

Lhotse LDLH-40 premium version

# FRONT FINISHING

## Furniture board



Front made of furniture board



Front made of furniture board + illuminated logo

## Design options for wood decor:



**H1180 ST37**  
Halifax Eiche natur



**H3453 ST22**  
Fleetwood lavagrau



**H1486 ST36**  
Pasadena Pinie



**F094 ST15**  
Cipollino Marmor  
schwarz-kupfer



**H110 ST9**  
Sealand Pine



**F186 ST9**  
Chicago Concrete  
hellgrau



**FS02 ST2**  
Aluminium  
feingebürstet



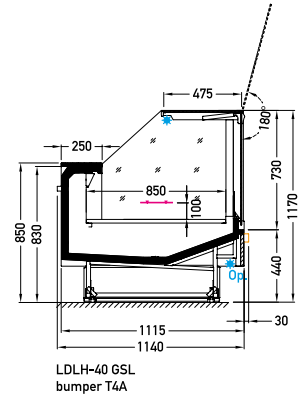


REMOTE → COUNTERS

Lhotse LDLH-40 premium version

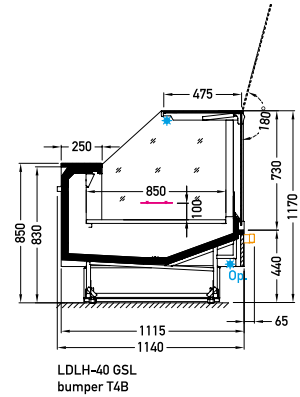
# BUMPERS

## Bumpers Type T4A



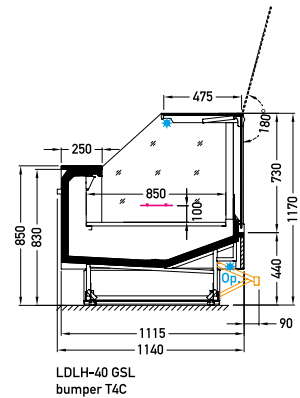
LDLH-40 GSL bumper T4A

## Bumpers Type T4B



LDLH-40 GSL bumper T4B

## Bumpers Type T4C



LDLH-40 GSL bumper T4C

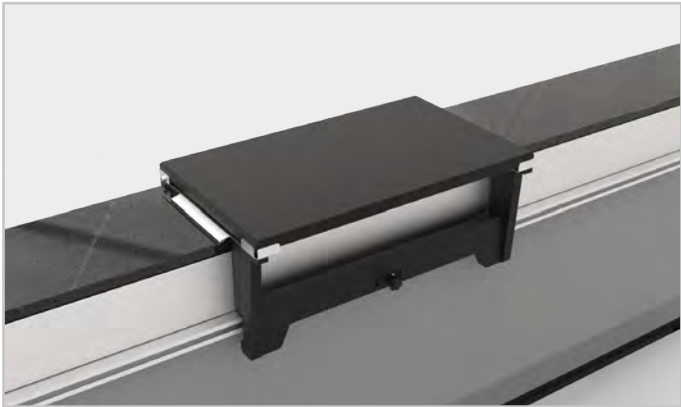




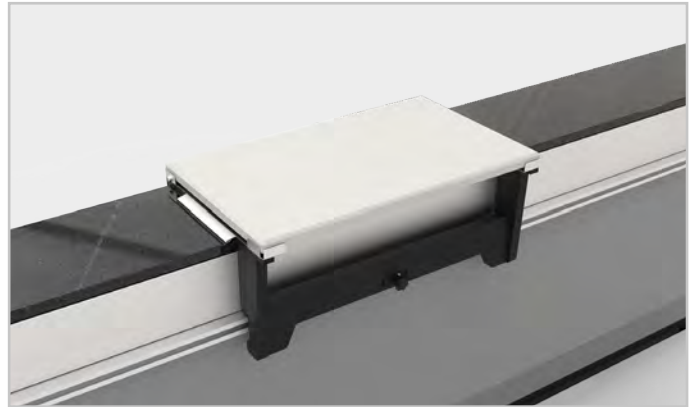
REMOTE → COUNTERS

**Lhotse LDLH-40** premium version

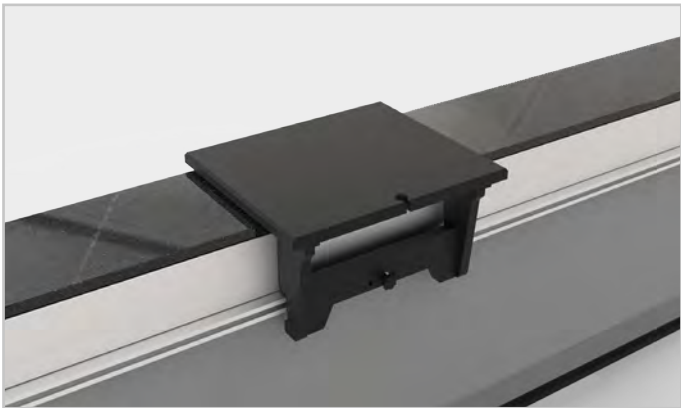
# ACCESSORIES



Cutting board 600x360 (black)



Cutting board 600x360 (white)



Shelf for scale/ cutting board



Knife holder



Paper holder



Bag holder







REMOTE → COUNTERS

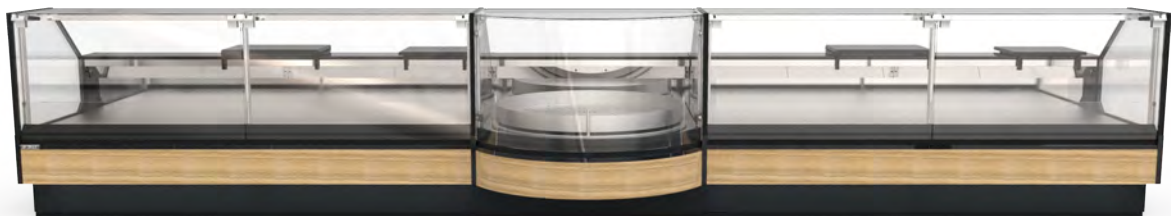
**Lhotse LDLH-40** premium version

## POSSIBLE LINE CONFIGURATIONS

**Lhotse LDLH-40 + Lhotse LDLH-40 (example)**



**Lhotse LDLH-40 + Rimo LDRI-40 + Lhotse LDLH-40 (example)**





## COOL EQUIPMENT WARM RELATIONS

**JBG-2 Sp. z o.o.**  
ul. Gajowa 5  
43-254 Warszowice

**Office:**  
E : [info@jbg2.com](mailto:info@jbg2.com)  
T : +48 32 494 00 00

v1.0 01.2021

JBG-2 Sp. z o.o. reserves the right to change the standards of devices or to withdraw products without prior notice.

