



## STANDARD FEATURES

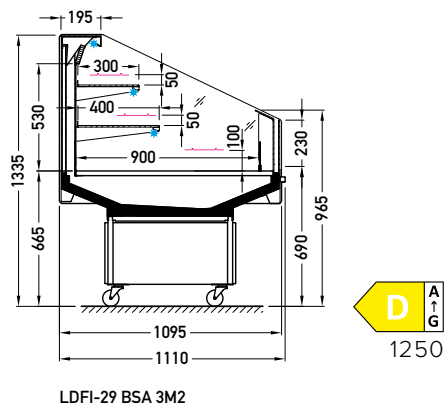
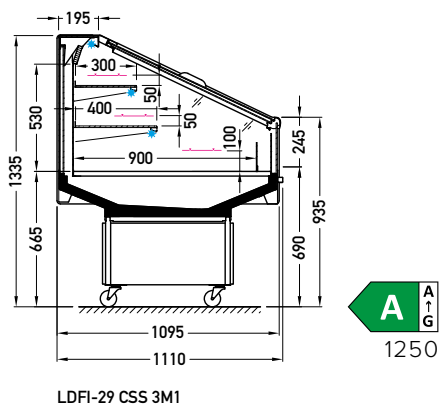
- working temperature: from 2°C to 4°C for BSA, from 0°C to 2°C for CSS
- refrigerant: R290
- electrical defrosting
- automatic evaporation of condensate
- electronic controller with temperature indicator
- **energy saving fans**
- exposition: zinc-plated steel, powder coated in white (RAL 9003)
- inox square bumper 25 x 25 mm
- colour of the base black (RAL 9005)
- sidewalls glass with black/ grey screen printing
- on wheels

## OPTIONS

- LEDit lighting

Fiji LDFI-29 1250 BSA

BSA – low glass or front glass riser | single, straight | fixed  
 CSS – cover | single, straight | sliding (sideways)



## AVAILABLE MODULES

1250 1600