

 **JBG2**

REFRIGERATION EQUIPMENT

**PROMOTION**

---

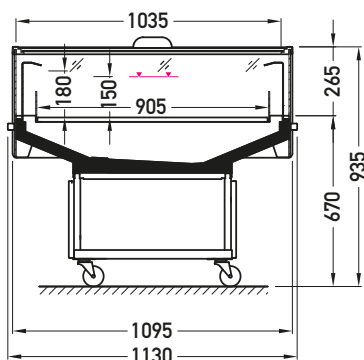
[jbg2.com](http://jbg2.com)



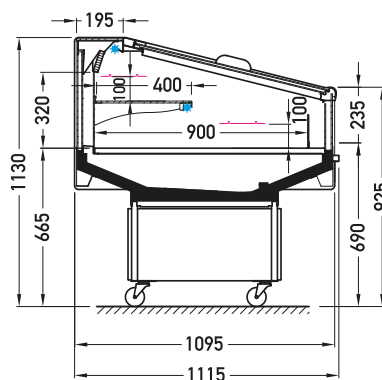
## FIJI 25

## FIJI 28

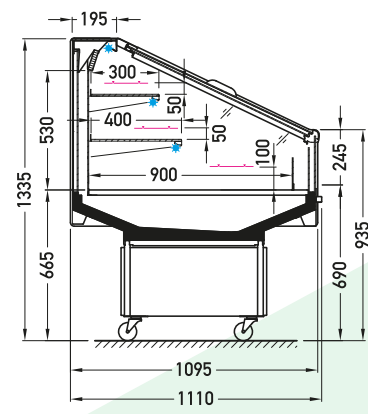
## FIJI 29



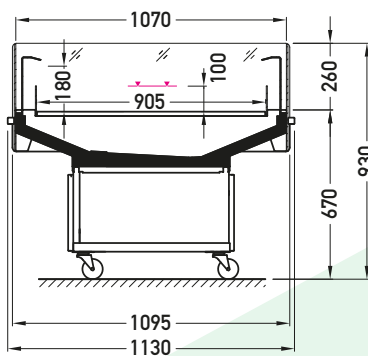
LDFI-25 CSS 3M1



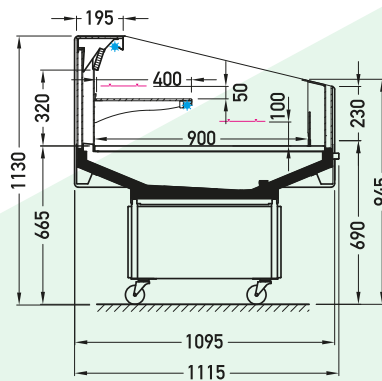
LDFI-28 CSS 3M1



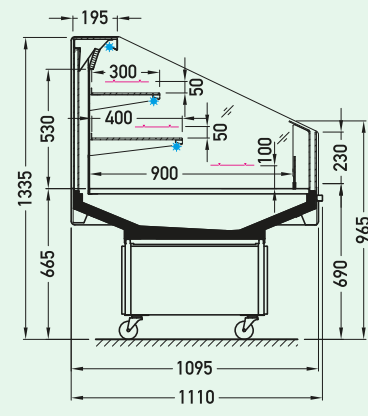
LDFI-29 CSS 3M1



LDFI-25 BSA 3M1



LDFI-28 BSA 3M1



LDFI-29 BSA 3M2



# R290



- working temperature: for BSA and CSS with integrated sidewalls version from 0°C to 2°C 3M1 ; for BSA version with single glass sidewalls from 2°C to 4°C 3M2 (only LDFI 29 BSA)
- refrigerant: R290
- electrical defrosting
- automatic evaporation of condensate
- electronic controller with temperature indicator
- exposition: zinc-plated steel, powder coated in white (RAL 9003)
- inox square bumper 25 x 25 mm – T9A LDFI 28
- inox tubular bumper Ø 25 mm – T1B LDFI 25
- color of the base black (RAL 9005)
- sidewalls: integrated glass with black/grey silk screen painting; single glass without silk screen

# CSS

cover | single, straight | sliding (sideways)



FIJI 25



FIJI 28



FIJI 29

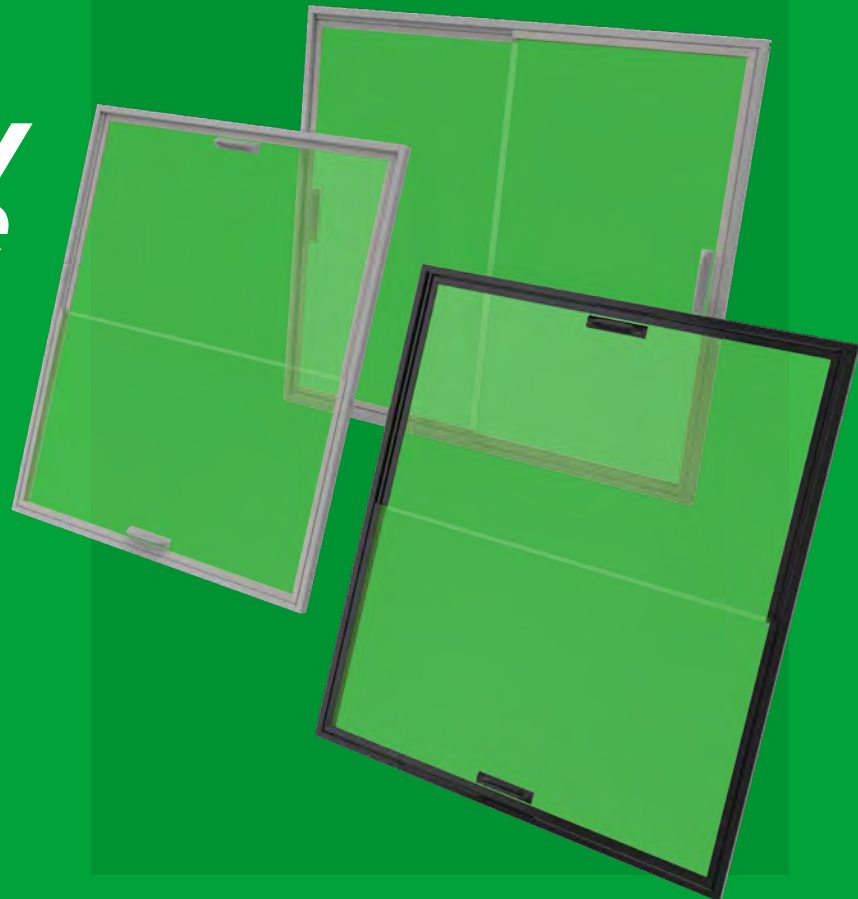
# BSA

low glass or front glass riser | single, straight | fixed



“  
**Save energy  
at store  
with  
our covers**

UP TO  
**70%\***



# CSS

cover | single, straight | sliding (sideways)



FIJI25  
modules

1000



1250



1600



FIJI28  
modules

1250



1600



FIJI25  
modules

1000



1250



FIJI28  
modules

1250



1600



FIJI29  
modules

1250



1600

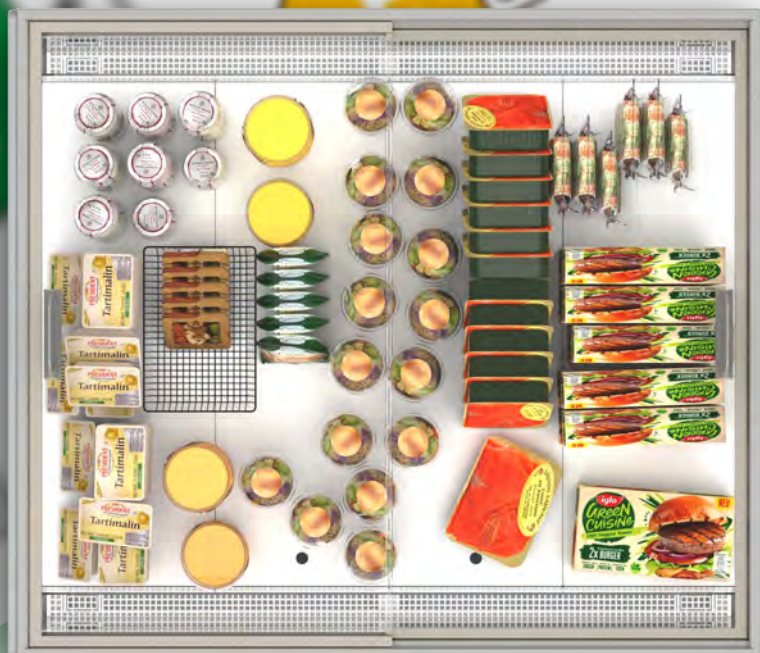


FIJI29  
modules

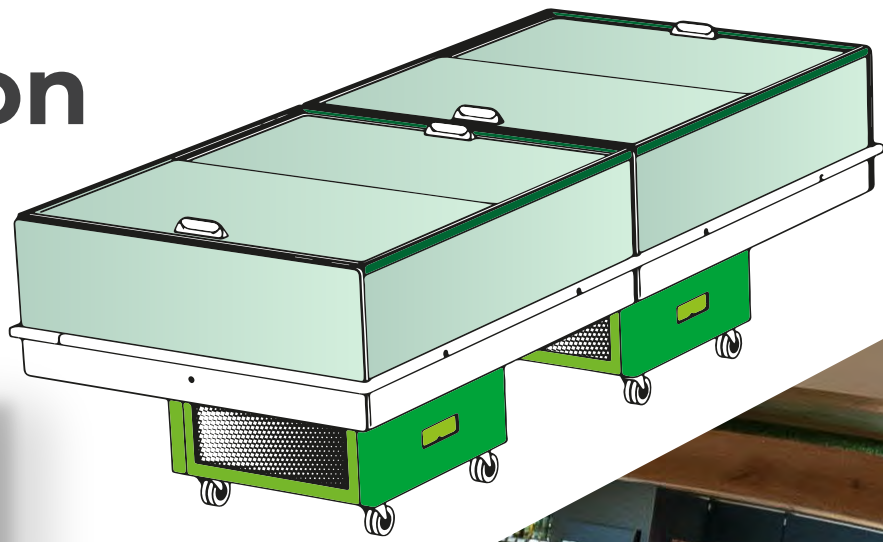
1250



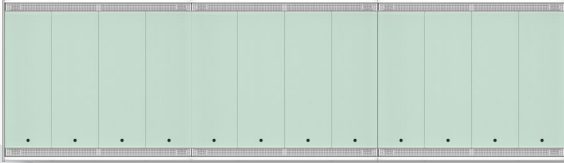
1600



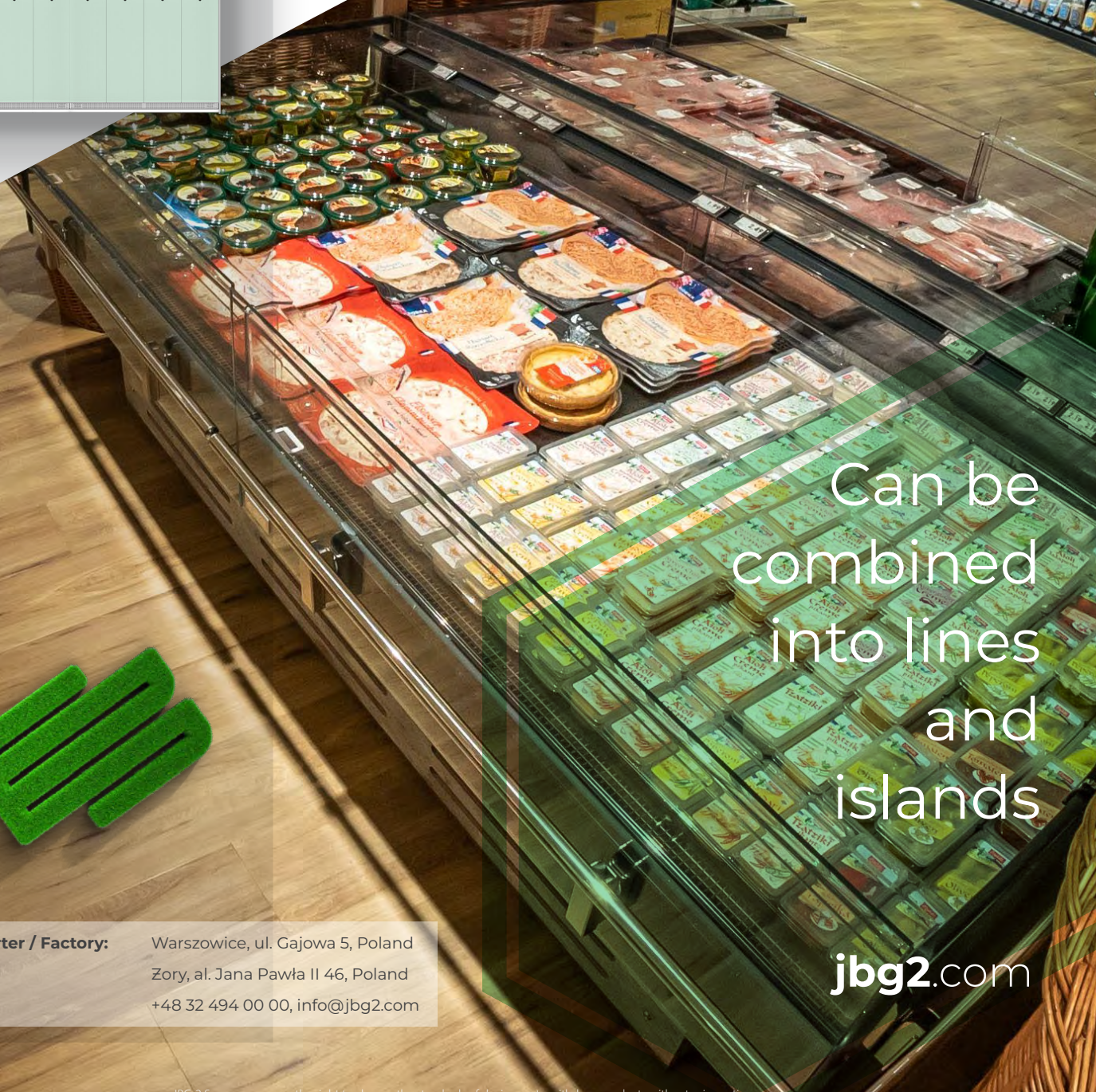
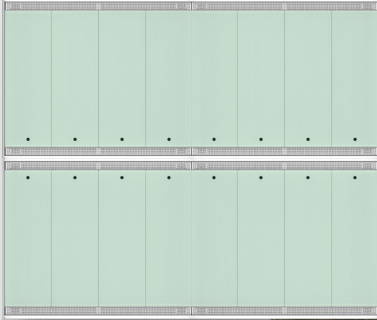
# Configuration options



lines



islands



Can be  
combined  
into lines  
and  
islands



**Headquarter / Factory:** Warszawice, ul. Gajowa 5, Poland  
**Factory:** Zory, al. Jana Pawła II 46, Poland  
**Contact:** +48 32 494 00 00, info@jbg2.com

[jbg2.com](http://jbg2.com)